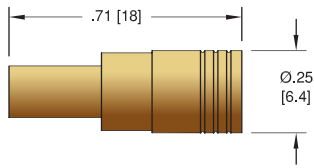
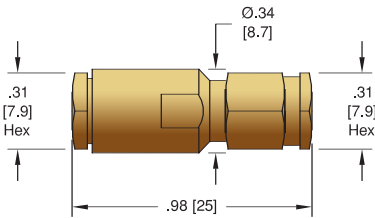




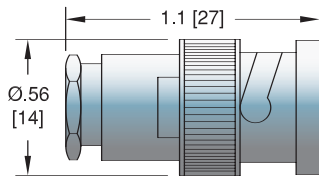
**SMB**



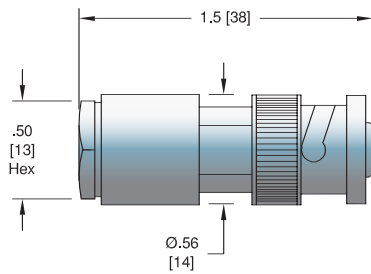
**SMA**



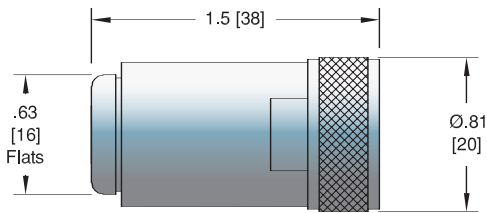
**BNC**



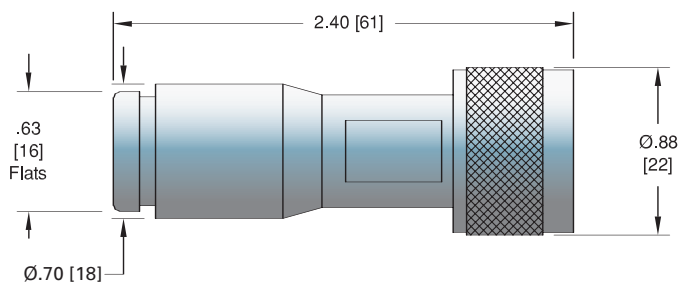
**MHV**



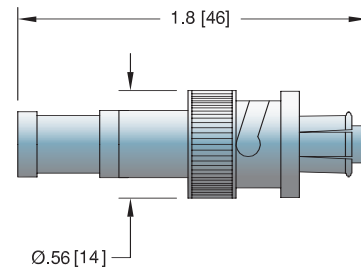
**Type N**



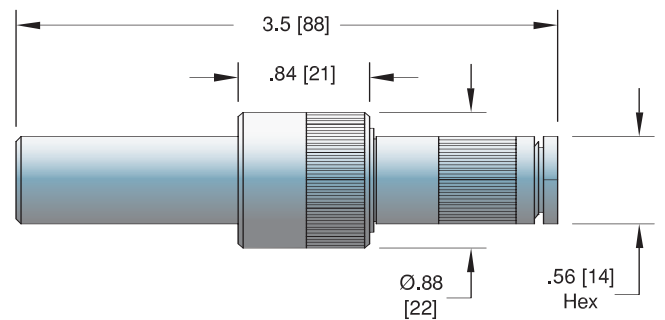
**HN**



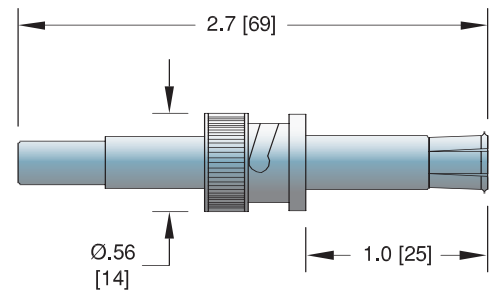
**SHV – 5 KV**



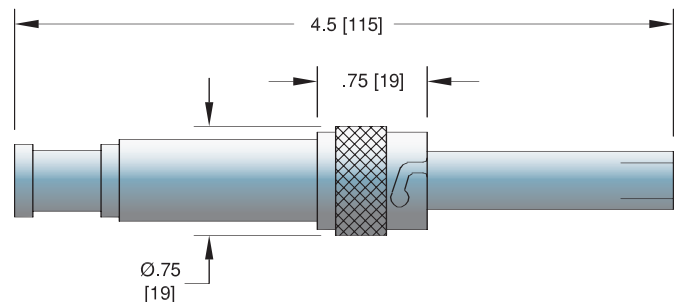
**BSHV – 7.5 KV**



**SHV – 10 KV**



**SHV – 20 KV**





**SMB**

TYPE	VOLTAGE DC	CONDUCTOR AMPS	TEMPERATURE °C		MAGNETIC MATERIALS	PART NUMBER
			MIN	MAX		
SMB Plug: Air Side	375 V	5	-65	165	No	3095-12



**SMA**

SMA Plug: Air Side	500 V	5	-65	165	No	6524-02
--------------------	-------	---	-----	-----	----	---------



**BNC & MHV**

BNC Plug: Air Side	500 V	5	-65	165	No	7116-02 <sup>†</sup>
MHV Plug: Air Side	5 kV	10	-65	165	No	7116-01



**Type N**

Type N Plug: Air Side	1.5 kV	5	-65	165	No	7707-01
-----------------------	--------	---	-----	-----	----	---------



**HN**

HN Plug: Air Side	7 kV	10	-55	165	No	6524-05
-------------------	------	----	-----	-----	----	---------



**BSHV – 7.5 kV**

BSHV Plug: Air Side	7.5 kV	8	-65	400	Yes	7604-01-A
---------------------	--------	---	-----	-----	-----	-----------

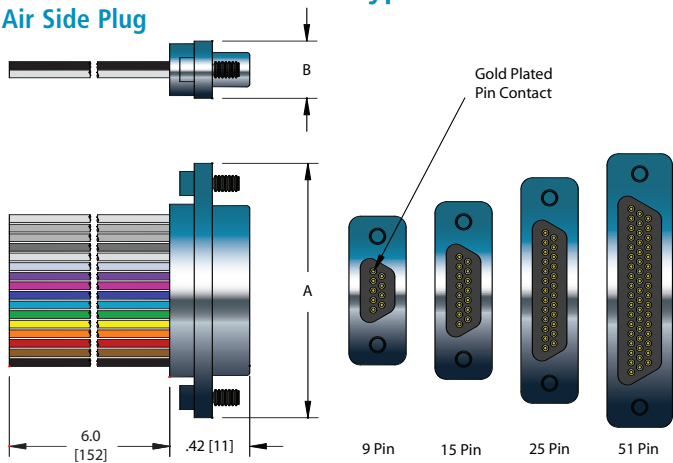


**SHV**

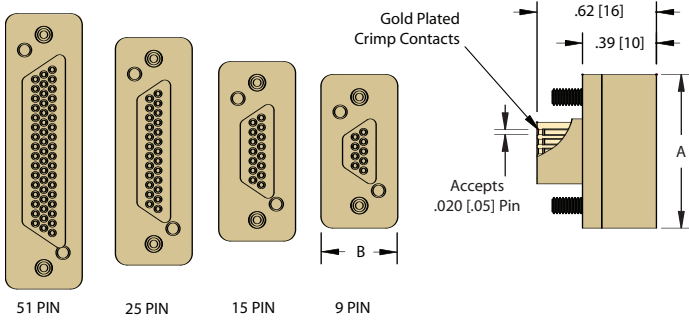
SHV - 5 kV Plug: Air Side	5 kV	10	-65	165	No	8058-01 <sup>†</sup>
SHV - 10 kV Plug: Air Side	10 kV	10	-65	165	No	8058-02
SHV - 20 kV Plug: Air Side	20 kV	20	-20	125	No	8208-02

<sup>†</sup>Shown in photo.

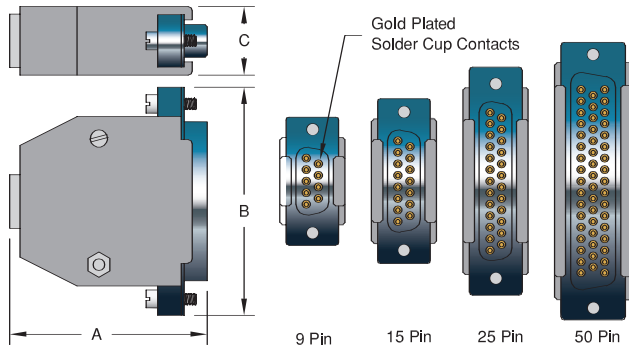
### MIL-DTL-83513 – Micro D Type Air Side Plug



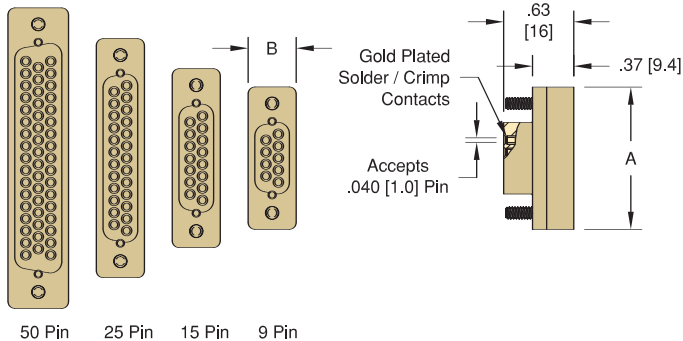
### Vacuum Side Plug – PEEK



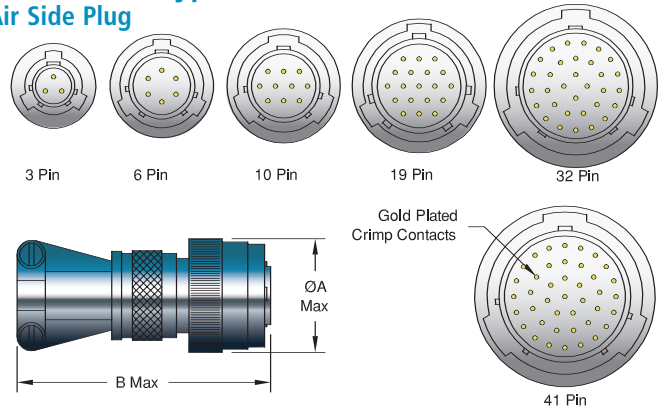
### MIL-C-24308 – Sub D Type Air Side Plug



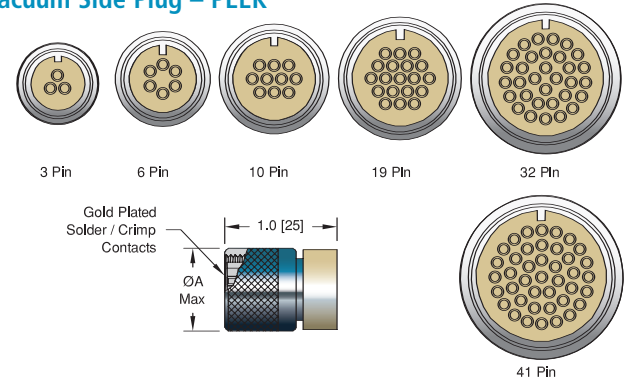
### Vacuum Side Plug – PEEK



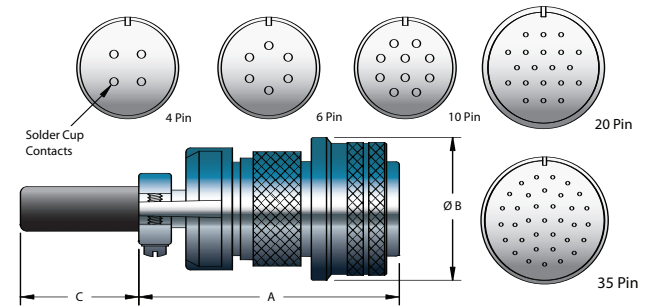
### MIL-C-26482 Type Air Side Plug



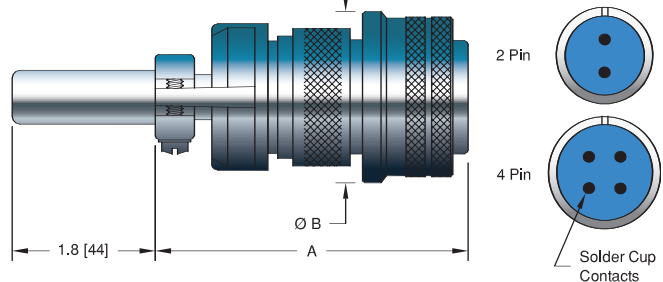
### Vacuum Side Plug – PEEK



### MIL-C-5015 Type Air Side Plug



### Power-MIL-C-5015 Type



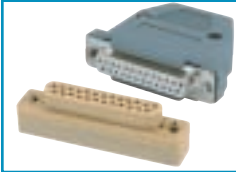


Micro D Type



TYPE	VOLTAGE DC	QTY	CONDUCTOR		DIMENSIONS		TEMPERATURE °C		MAGNETIC MATERIALS	PART NUMBER
			AMPS	MATERIAL	A	B	MIN	MAX		
Air Side	500 V	9	3	Copper Alloy	0.775 [20]	0.298 [8]	-55	125	No	21585-01-A
Air Side	500 V	15	3	Copper Alloy	0.925 [23]	0.298 [8]	-55	125	No	21586-01-A
Air Side	500 V	25	3	Copper Alloy	1.175 [30]	0.298 [8]	-55	125	No	21587-01-A†
Air Side	500 V	51	3	Copper Alloy	1.425 [36]	0.341 [9]	-55	125	No	21589-01-A
Vacuum Side	500 V	9	2	Beryllium Copper	0.790 [20]	0.390 [10]	-269	200	No	21573-01-A
Vacuum Side	500 V	15	2	Beryllium Copper	0.935 [24]	0.390 [10]	-269	200	No	21574-01-A
Vacuum Side	500 V	25	2	Beryllium Copper	1.185 [30]	0.390 [10]	-269	200	No	21575-01-A
Vacuum Side	500 V	51	2	Beryllium Copper	1.135 [36]	0.390 [10]	-269	200	No	21577-01-A

Sub D Type



TYPE	VOLTAGE DC	QTY	CONTACTS		DIMENSIONS			TEMPERATURE °C		MAGNETIC MATERIALS	PART NUMBER
			AMPS	MATERIAL	A	B	C	MIN	MAX		
Air Side	500 V	9	5	Copper Alloy	1.7 [43]	1.2 [31]	0.6 [15]	-55	105	Yes	18076-01-A
Air Side	500 V	15	5	Copper Alloy	1.6 [41]	1.6 [41]	0.6 [15]	-55	105	Yes	18076-02-A
Air Side	500 V	25	5	Copper Alloy	1.9 [48]	2.2 [56]	0.6 [15]	-55	105	Yes	18076-03-A†
Air Side	500 V	50	5	Copper Alloy	2.0 [51]	2.6 [66]	0.7 [18]	-55	105	Yes	18076-04-A
Vacuum Side-Female	500 V	9	5	Copper Alloy	1.3 [33]	0.4 [11]	-	-200	200	No	16810-01-A
Vacuum Side-Female	500 V	15	5	Copper Alloy	1.6 [40]	0.4 [11]	-	-200	200	No	16811-01-A
Vacuum Side-Female	500 V	25	5	Copper Alloy	2.2 [55]	0.4 [11]	-	-200	200	No	16812-01-A†
Vacuum Side-Female	500 V	50	5	Copper Alloy	2.7 [69]	0.5 [14]	-	-200	200	No	16814-01-A
Vacuum Side-Male	500 V	9	5	Copper Alloy	1.3 [33]	0.4 [11]	-	-200	200	No	19827-01-A
Vacuum Side-Male	500 V	15	5	Copper Alloy	1.6 [40]	0.4 [11]	-	-200	200	No	19828-01-A
Vacuum Side-Male	500 V	25	5	Copper Alloy	2.2 [55]	0.4 [11]	-	-200	200	No	17411-01-A
Vacuum Side-Male	500 V	50	5	Copper Alloy	2.7 [69]	0.5 [14]	-	-200	200	No	19829-01-A

MIL-C-26482 Type



TYPE	VOLTAGE DC	QTY	CONTACTS		DIMENSIONS		TEMPERATURE °C		MAGNETIC MATERIALS	PART NUMBER
			AMPS	MATERIAL	A	B	MIN	MAX		
Air Side	1 kV	3	1	Copper Alloy	0.8 [20]	1.9 [48]	-55	200	No	16060-01-A†
Air Side	1 kV	6	1	Copper Alloy	1.0 [25]	1.9 [48]	-55	200	No	16060-02-A
Air Side	1 kV	10	1	Copper Alloy	1.0 [25]	1.9 [48]	-55	200	No	16060-03-A
Air Side	1 kV	19	1	Copper Alloy	1.2 [31]	1.9 [48]	-55	200	No	16060-04-A
Air Side	1 kV	32	1	Copper Alloy	1.4 [36]	2.1 [53]	-55	200	No	16060-05-A
Air Side	1 kV	41	1	Copper Alloy	1.5 [38]	2.3 [58]	-55	200	No	16060-06-A
Vacuum Side	1 kV	3	5	Copper Alloy	0.8 [20]	-	-200	200	No	16026-02-A†
Vacuum Side	1 kV	6	5	Copper Alloy	0.9 [22]	-	-200	200	No	16027-02-A
Vacuum Side	1 kV	10	5	Copper Alloy	1.0 [25]	-	-200	200	No	16028-02-A
Vacuum Side	1 kV	19	5	Copper Alloy	1.1 [28]	-	-200	200	No	16029-02-A
Vacuum Side	1 kV	32	5	Copper Alloy	1.4 [34]	-	-200	200	No	16030-02-A
Vacuum Side	1 kV	41	5	Copper Alloy	1.5 [37]	-	-200	200	No	16031-02-A

MIL-C-5015 Type

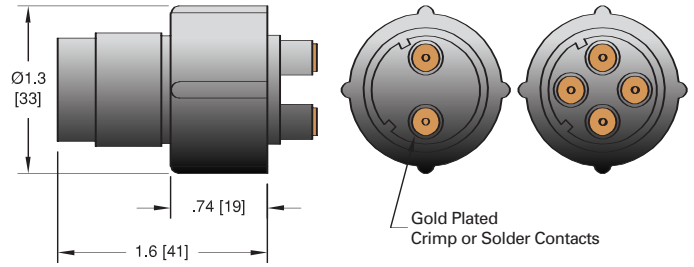


TYPE	VOLTAGE DC	QTY	CONTACTS		DIMENSIONS			TEMPERATURE °C		MAGNETIC MATERIALS	PART NUMBER
			AMPS	MATERIAL	A	B	C	MIN	MAX		
Air Side	700 V	4	13	Copper Alloy	2.6 [65]	1.4 [36]	1.8 [44]	-55	125	No	15910-01-A
Air Side	700 V	6	13	Copper Alloy	2.6 [65]	1.4 [36]	1.8 [44]	-55	125	No	15911-01-A
Air Side	700 V	10	13	Copper Alloy	2.6 [65]	1.4 [36]	1.8 [44]	-55	125	No	15912-01-A
Air Side	700 V	20	13	Copper Alloy	2.9 [74]	1.9 [49]	1.4 [36]	-55	125	No	15913-01-A†
Air Side	700 V	35	13	Copper Alloy	3.0 [77]	2.5 [62]	1.2 [30]	-55	125	No	15914-01-A
Air Side: Hi-Temp PEEK	700 V	4	4.8	Alumel	2.6 [65]	1.4 [36]	1.8 [44]	-55	260	Yes	15910-32-A
Air Side: Hi-Temp PEEK	700 V	6	4.8	Alumel	2.6 [65]	1.4 [36]	1.8 [44]	-55	260	Yes	15911-32-A
Air Side: Hi-Temp PEEK	700 V	10	4.8	Alumel	2.6 [65]	1.4 [36]	1.8 [44]	-55	260	Yes	15912-32-A
Power: .094 Contacts	700 V	2	23	Copper Alloy	2.5 [63]	1.2 [32]	-	-55	125	No	18600-01-A
Power: .094 Contacts	700 V	4	23	Copper Alloy	2.5 [63]	1.4 [36]	-	-55	125	No	18600-02-A
Power: .142 Contacts	700 V	2	46	Copper Alloy	2.6 [65]	1.6 [40]	-	-55	125	No	18601-01-A
Power: .142 Contacts	700 V	4	46	Copper Alloy	2.6 [65]	1.6 [40]	-	-55	125	No	18601-02-A

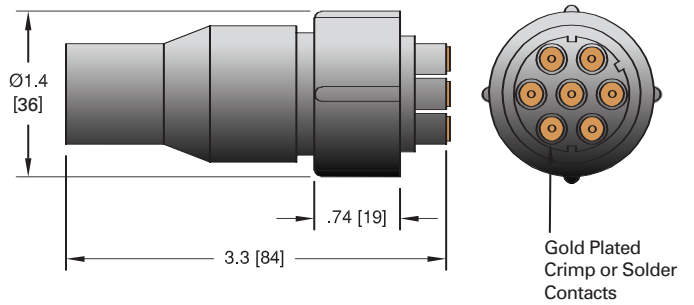
Note that contacts are included with all plugs. †Shown in photo.



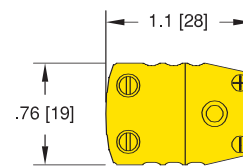
### High Voltage 2 & 4 Contacts



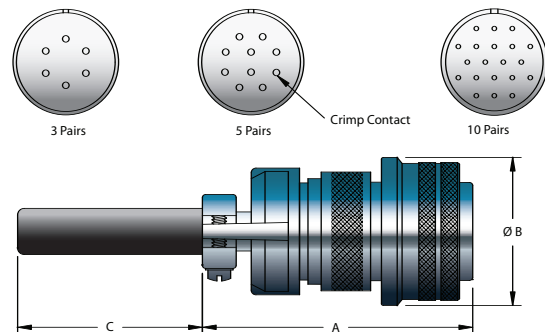
### 7 Contacts



### Thermocouple Spade Type



### Thermocouple MIL-C-5015 Type



High Voltage



TYPE	VOLTAGE DC	QTY	CONTACTS AMPS	MATERIAL	TEMPERATURE °C		MAGNETIC MATERIALS	PART NUMBER
					MIN	MAX		
Air Side	12 kV	2	13	Copper Alloy	-15	85	No	2871-02-A <sup>†</sup>
Air Side	12 kV	4	13	Copper Alloy	-15	85	No	2871-03-A
Air Side	12 kV	7	13	Copper Alloy	-15	85	No	2871-01-A

Thermocouple Spade Type



ANSI TYPE	THERMOCOUPLE MATERIALS	TYPE	PLUG MATERIALS	TEMPERATURE °C		COLOR CODE	MAGNETIC MATERIALS	PART NUMBER
				MIN	MAX			
K	Chromel/Alumel	Standard	Glass Filled Nylon	-29	218	Yellow	Yes	08151-01 <sup>†</sup>
K	Chromel/Alumel	High Temp	Ceramic	-73	650	Yellow	Yes	08151-09
C	Tungsten - Rhenium	Standard	Glass Filled Nylon	-29	218	Red	Yes	08151-04
C	Tungsten - Rhenium	High Temp	Ceramic	-73	250	Red	Yes	08151-07

Thermocouple MIL-C-5015 Type



ANSI TYPE	T/C PAIRS	THERMOCOUPLE MATERIALS	DIMENSIONS			TEMPERATURE °C		MAGNETIC MATERIALS	PART NUMBER
			A	B	C	MIN	MAX		
K	3	Chromel/Alumel	2.6 [65]	1.4 [36]	1.8 [44]	-55	125	Yes	15911-02-A
K	5	Chromel/Alumel	2.6 [65]	1.4 [36]	1.8 [44]	-55	125	Yes	15912-02-A
K	10	Chromel/Alumel	2.9 [74]	1.9 [49]	1.4 [36]	-55	125	Yes	15913-02-A <sup>†</sup>

Note that contacts are included with all plugs. <sup>†</sup>Shown in photo.

