

ConFlat Flanges
Size: 1 1/3" (NW16CF)

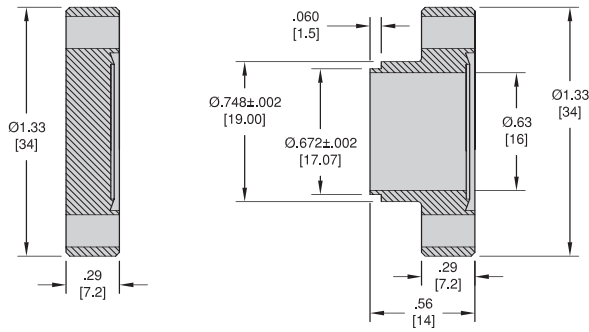


Figure 1

Figure 2

Size: 2 3/4" (NW35CF)

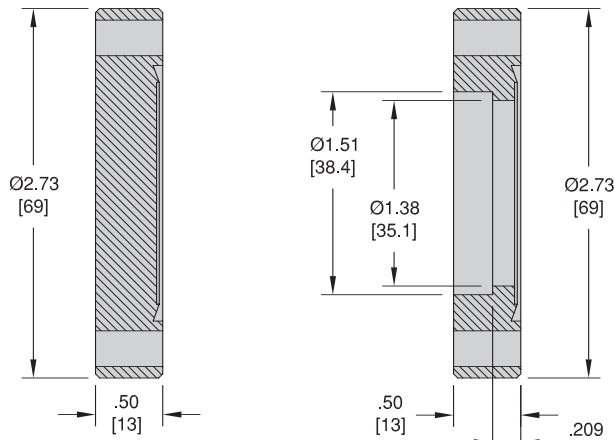


Figure 3

Figure 4

Size: 3 3/8" (NW50CF) & 4 1/2" (NW63CF)

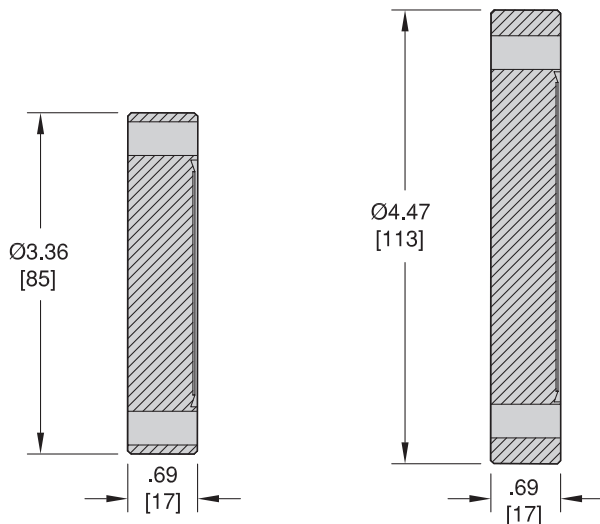


Figure 5

Figure 6

ISO KF Flanges
Type: Ported Weld Neck

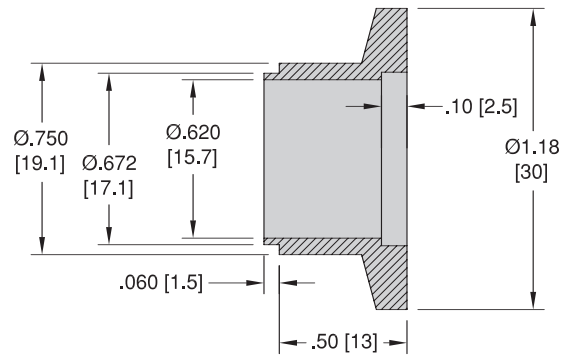


Figure 7

Type: Blank

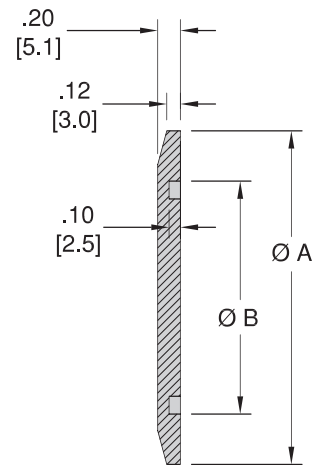


Figure 8



FLANGE CONFLAT	TYPE	FIGURE NUMBER	TEMPERATURE °C		PART NUMBER	PRICE
			MIN	MAX		
1 1/3" (NW16CF)	Blank	1	-269	450	6463-01	
1 1/3" (NW16CF)	Ported Weld Neck	2	-269	450	6863-01	
2 3/4" (NW35CF)	Blank	3	-269	450	02899-01	
2 3/4" (NW35CF)	Ported	4	-269	450	02899-02	
3 3/8" (NW50CF)	Blank	5	-269	450	02899-13	
4 1/2" (NW63CF)	Blank	6	-269	450	02899-03	



FLANGE ISO	TYPE	FIGURE	DIMENSIONS		TEMPERATURE °C		PART NUMBER	PRICE
			A	B	MIN	MAX		
NW16KF	Ported Weld Neck	7	.50 [13]	1.8 [30]	-25	205	17669-01	
NW16KF	Blank	8	1.18 [30]	0.68 [17.3]	-25	205	13499-02	
NW25KF	Blank	8	1.57 [40]	1.03 [26.2]	-25	205	13499-03	
NW40KF	Blank	8	2.16 [55]	1.62 [41.0]	-25	205	13499-04	
NW50KF	Blank	8	2.95 [75]	2.06 [52.3]	-25	205	13499-05	

