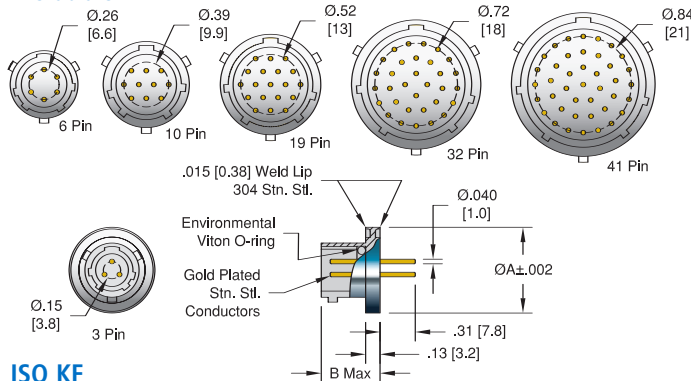
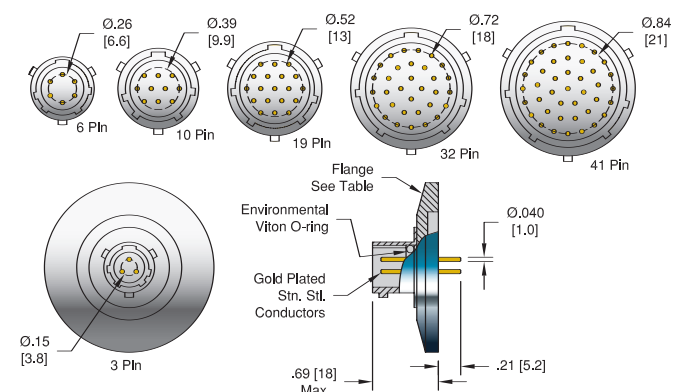


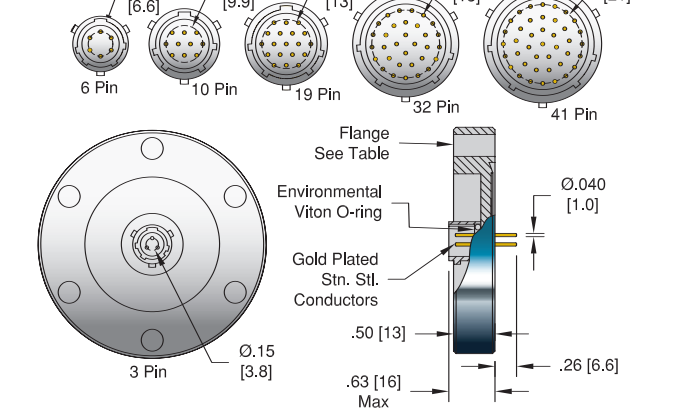
**Single Ended - Straight Pin
Weldable**



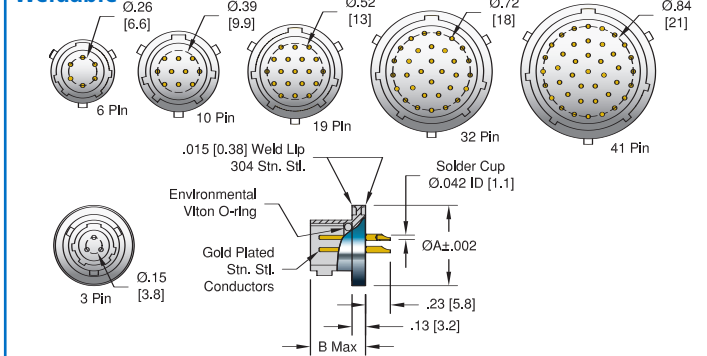
ISO KF



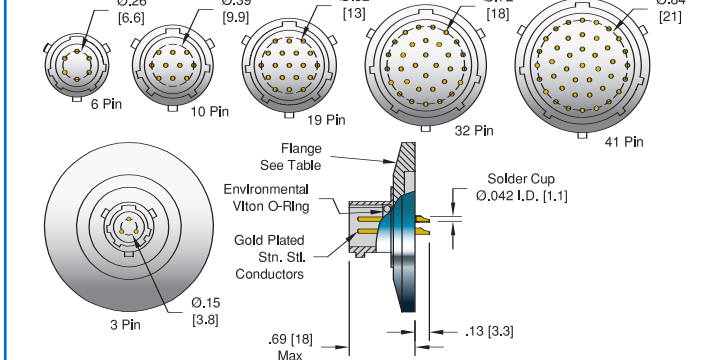
ConFlat



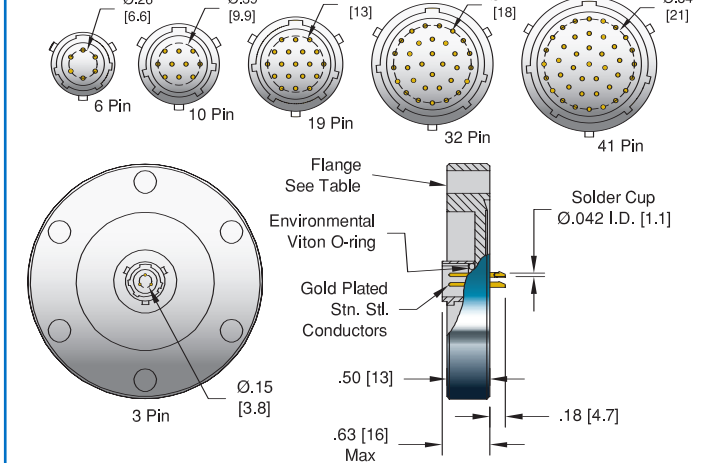
**Single Ended - Solder Cup
Weldable**



ISO KF



ConFlat



Specifications

Materials

- Shell: 304 Stainless steel
- Pins: 300 Series Stainless steel (Gold plated)
- Insulation: Glass-ceramic
- Magnetic Materials: No

Voltage Rating 1 kV DC

Current Rating 5 Amps per pin

Temperature Range -269°C to 450°C, ISO KF -25°C to 205°C

Pressure @ 20°C ISO KF 0 PSIG

- | | |
|----------------------------|----------------------------|
| 3 Pin - 550 PSIG (38 Bar) | 19 Pin - 400 PSIG (28 Bar) |
| 6 Pin - 500 PSIG (34 Bar) | 32 Pin - 375 PSIG (26 Bar) |
| 10 Pin - 450 PSIG (31 Bar) | 41 Pin - 350 PSIG (24 Bar) |

MULTIPIN CONNECTOR



MULTIPIN CONNECTOR



NO. PINS	PIN TYPE	INSTALLATION	DIMENSIONS		PART NUMBER
			A	B	
3	Straight	Weld	0.745 [18.92]	0.51 [13.0]	16130-02-W
6	Straight	Weld	0.870 [22.10]	0.51 [13.0]	16131-02-W
10	Straight	Weld	0.995 [25.27]	0.51 [13.0]	16132-02-W
19	Straight	Weld	1.120 [28.45]	0.51 [13.0]	16133-02-W
32	Straight	Weld	1.370 [34.80]	0.51 [13.0]	16134-02-W
41	Straight	Weld	1.495 [37.97]	0.57 [14.5]	16135-02-W



ISO FLANGE					
NO. PINS	PIN TYPE	INSTALLATION	A	B	PART NUMBER
3	Straight	NW25KF	-	-	17160-01-KF
6	Straight	NW40KF	-	-	17161-01-KF
10	Straight	NW40KF	-	-	17162-01-KF
19	Straight	NW40KF	-	-	17163-01-KF
32	Straight	NW40KF	-	-	17164-01-KF
41	Straight	NW50KF	-	-	17165-01-KF



CONFLAT FLANGE					
NO. PINS	PIN TYPE	INSTALLATION	A	B	PART NUMBER
3	Straight	2 3/4" (NW35CF)	-	-	18894-01-CF
6	Straight	2 3/4" (NW35CF)	-	-	18895-01-CF
10	Straight	2 3/4" (NW35CF)	-	-	18896-01-CF
19	Straight	2 3/4" (NW35CF)	-	-	18897-01-CF
32	Straight	2 3/4" (NW35CF)	-	-	18898-01-CF
41	Straight	3 3/8" (NW50CF)	-	-	18899-01-CF
Female Crimp Contacts Female accepts wire up to 0.040 [1.0]					16757-02-A

*Contacts priced and sold in packages of 5.



NO. PINS	PIN TYPE	INSTALLATION	DIMENSIONS		PART NUMBER
			A	B	
3	Solder Cup	Weld	0.745 [18.92]	0.51 [13.0]	16010-02-W
6	Solder Cup	Weld	0.870 [22.10]	0.51 [13.0]	16011-02-W
10	Solder Cup	Weld	0.995 [25.27]	0.51 [13.0]	16012-02-W
19	Solder Cup	Weld	1.120 [28.45]	0.51 [13.0]	16013-02-W
32	Solder Cup	Weld	1.370 [34.80]	0.51 [13.0]	16014-02-W
41	Solder Cup	Weld	1.495 [37.97]	0.57 [14.5]	16015-02-W



ISO FLANGE					
NO. PINS	PIN TYPE	INSTALLATION	A	B	PART NUMBER
3	Solder Cup	NW25KF	-	-	17171-01-KF
6	Solder Cup	NW40KF	-	-	17172-01-KF
10	Solder Cup	NW40KF	-	-	17173-01-KF
19	Solder Cup	NW40KF	-	-	17174-01-KF
32	Solder Cup	NW40KF	-	-	17175-01-KF
41	Solder Cup	NW50KF	-	-	17176-01-KF



CONFLAT FLANGE					
NO. PINS	PIN TYPE	INSTALLATION	A	B	PART NUMBER
3	Solder Cup	2 3/4" (NW35CF)	-	-	17148-01-CF
6	Solder Cup	2 3/4" (NW35CF)	-	-	17343-01-CF
10	Solder Cup	2 3/4" (NW35CF)	-	-	17149-01-CF
19	Solder Cup	2 3/4" (NW35CF)	-	-	17787-01-CF
32	Solder Cup	2 3/4" (NW35CF)	-	-	17697-01-CF
41	Solder Cup	3 3/8" (NW50CF)	-	-	17156-01-CF



TYPE	VOLTAGE DC	CONDUCTOR AMPS	NO. CONTACTS	DIMENSIONS		PART NUMBER
				H	L	
Air Side	1 kV	1	3	0.8 [20]	1.9 [48]	16060-01-A
Air Side	1 kV	1	6	1.0 [25]	1.9 [48]	16060-02-A
Air Side	1 kV	1	10	1.0 [25]	1.9 [48]	16060-03-A
Air Side	1 kV	1	19	1.2 [31]	1.9 [48]	16060-04-A
Air Side	1 kV	1	32	1.4 [36]	2.1 [53]	16060-05-A
Air Side	1 kV	1	41	1.5 [38]	2.3 [58]	16060-06-A

Note that contacts are included with all plugs. See the Accessories section for more information on all accessories.





MULTIPIN CONNECTOR

Specifications

Materials

Shell: Stainless steel
 Pins: 300 Series Stainless steel (Gold plated)
 Insulation: Glass-ceramic
 Magnetic Materials: No

Voltage Rating 1 kV DC

Current Rating 5 Amps per pin

Temperature Range -269°C to 450°C, ISO KF -25°C to 205°C

Pressure @ 20°C ISO KF 0 PSIG

- 3 Pin - 550 PSIG (38 Bar)
- 6 Pin - 500 PSIG (34 Bar)
- 10 Pin - 450 PSIG (31 Bar)
- 19 Pin - 400 PSIG (28 Bar)
- 32 Pin - 375 PSIG (26 Bar)
- 41 Pin - 350 PSIG (24 Bar)

Vacuum Side Plug Specifications

Materials

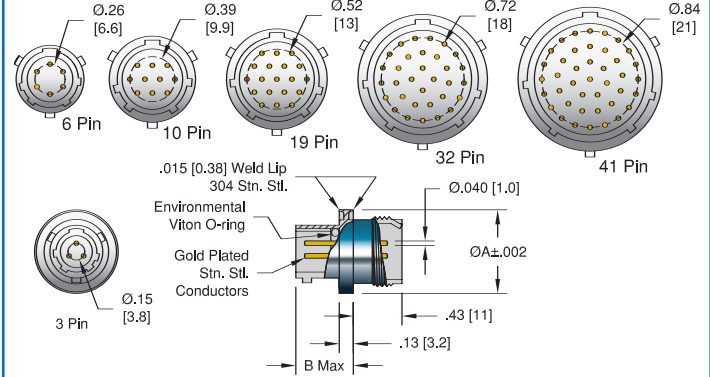
Shell: 304 Stainless steel
 Crimp Contacts: Copper alloy (Gold plated)
 Insulation: PEEK (polyether ether ketone)
 Magnetic Materials: No

Voltage Rating 1 kV DC

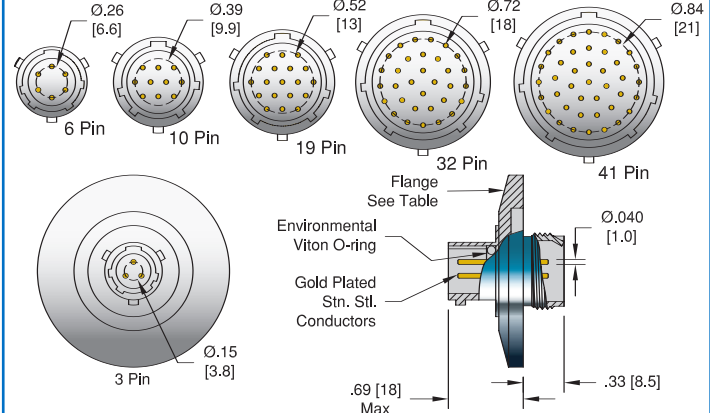
Current Rating 5 Amps per pin

Temperature Range -269°C to 200°C

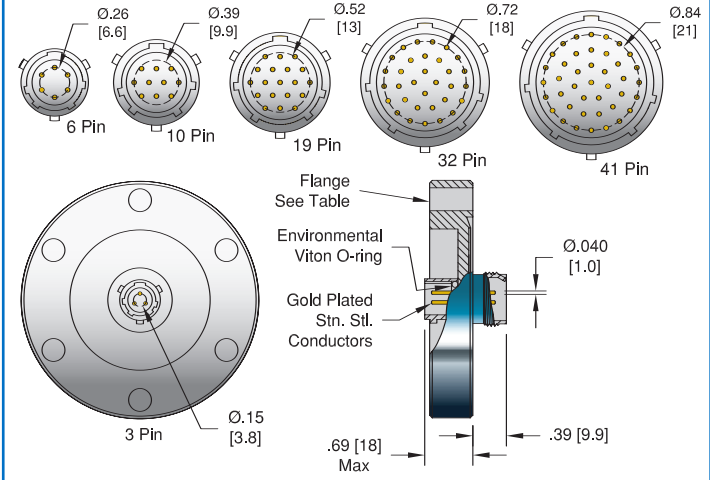
**Double Ended
Weldable**



ISO KF



ConFlat

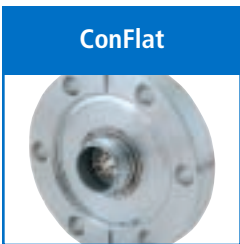




NO. PINS	INSTALLATION	DIMENSIONS		PART NUMBER
		A	B	
3	Weld	0.745 [18.92]	0.51 [13.0]	16000-02-W
6	Weld	0.870 [22.10]	0.51 [13.0]	16001-02-W
10	Weld	0.995 [25.27]	0.51 [13.0]	16002-02-W
19	Weld	1.120 [28.45]	0.51 [13.0]	16003-02-W
32	Weld	1.370 [34.80]	0.51 [13.0]	16004-02-W
41	Weld	1.495 [37.97]	0.57 [14.5]	16005-02-W



ISO FLANGE				
3	NW25KF	-	-	17180-01-KF
6	NW40KF	-	-	17181-01-KF
10	NW40KF	-	-	17182-01-KF
19	NW40KF	-	-	18900-01-KF
32	NW40KF	-	-	18901-01-KF
41	NW50KF	-	-	18902-01-KF



CONFLAT FLANGE				
3	2 3/4" (NW35CF)	-	-	18903-01-CF
6	2 3/4" (NW35CF)	-	-	18904-01-CF
10	2 3/4" (NW35CF)	-	-	18905-01-CF
19	2 3/4" (NW35CF)	-	-	18906-01-CF
32	2 3/4" (NW35CF)	-	-	18907-01-CF
41	3 3/8" (NW50CF)	-	-	18908-01-CF



TYPE	VOLTAGE DC	CONDUCTOR AMPS	NO. CONTACTS	DIMENSIONS		PART NUMBER
				H	L	
Air Side	1 kV	1	3	0.8 [20]	1.9 [48]	16060-01-A
Air Side	1 kV	1	6	1.0 [25]	1.9 [48]	16060-02-A
Air Side	1 kV	1	10	1.0 [25]	1.9 [48]	16060-03-A
Air Side	1 kV	1	19	1.2 [31]	1.9 [48]	16060-04-A
Air Side	1 kV	1	32	1.4 [36]	2.1 [53]	16060-05-A
Air Side	1 kV	1	41	1.5 [38]	2.3 [58]	16060-06-A



TYPE	VOLTAGE DC	CONDUCTOR AMPS	NO. CONTACTS	DIMENSIONS		PART NUMBER
				H	L	
Vacuum Side	1 kV	5	3	0.8 [19]	1.0 [25]	16026-02-A
Vacuum Side	1 kV	5	6	0.9 [22]	1.0 [25]	16027-02-A
Vacuum Side	1 kV	5	10	1.0 [25]	1.0 [25]	16028-02-A
Vacuum Side	1 kV	5	19	1.1 [28]	1.0 [25]	16029-02-A
Vacuum Side	1 kV	5	32	1.4 [34]	1.0 [25]	16030-02-A
Vacuum Side	1 kV	5	41	1.5 [37]	1.0 [25]	16031-02-A

Note that contacts are included with all plugs. See the Accessories section for more information on all accessories.

