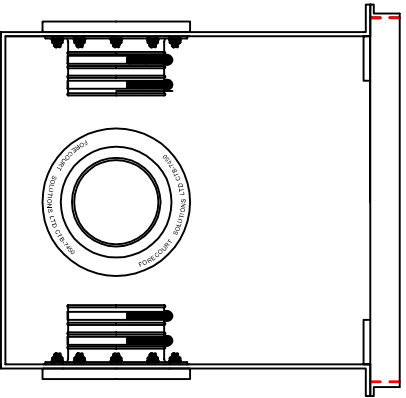
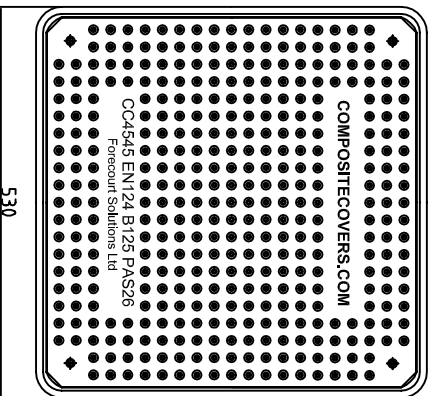


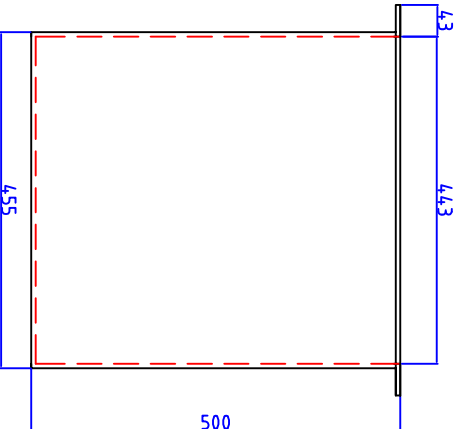
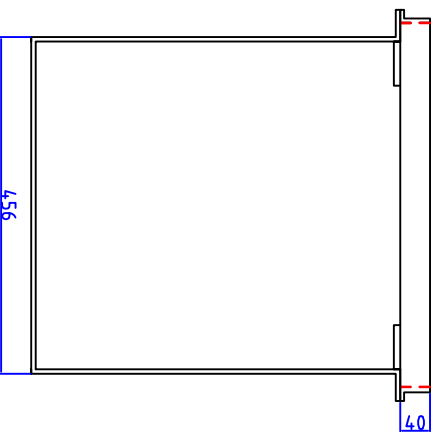
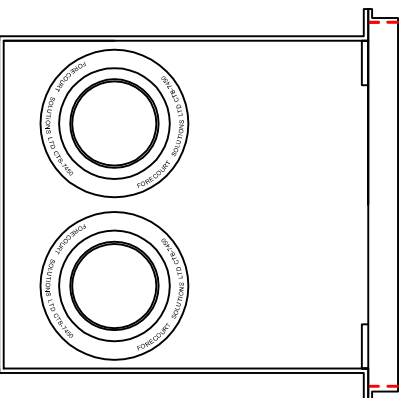
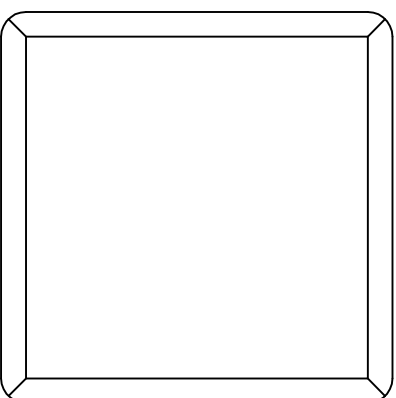
DrawPit suitable for upto 6 individual 110 mm Twinwall duct entries as depicted below. Duct entries sealed with ChamberTite Duct Entry boots either with or without Cable entry bulkhead. Part No CTB-7450 or CTB-7450B



ChamberTite DrawPit Chamber 450 x 450 x 500 consists of moulded polyethylene chamber with base and watertight 450 mm square manhole cover. Various cover load ratings available. (Depicted B125 (2.5 ton))



Polyethylene Sheet 6mm  
Corners can be mitred and welded or produced out of single section.  
All joints to be fully welded and edges deburred  
Colour to be specified on purchase order



TITLE  
**ChamberTite Draw Pit Chamber 450 x 450 x 500 mm**

DATE	ISSUE	REASON FOR ISSUE	CMR'D	SCALE
03-09-09	A	Prototype	JRH	1:1

DRAWN **JRH**  
CHECKED **NMH**  
DATE **03-09-09**  
SCALE **1:1**

MATERIAL **POLYETHYLENE UNLESS OTHERWISE STATED**

This drawing and any descriptive matter or information set out hereon, is the property of Forecourt Solutions Ltd who are the owners of the copyright, and must not be disclosed loaned, copied or used for manufacturing, tendering or for any other purpose without their written permission.

**FORECOURT SOLUTIONS LTD**  
NEWTON GROUND  
PETHERTON ROAD, NORTH NEWTON,  
SOMERSET TA7 0BD, UNITED KINGDOM  
TEL: +44 1278 661309 Fax: +44 1278 661268

DRAWING NUMBER  
**DPCL450-450-500**