



# CHAMBERTITE DRAW-PIT CHAMBERS LARGE

Cost Effective Construction Equipment

Forecourt Solutions are pleased to announce the availability of our own ChamberTite 1150 x 1150 mm wide base Drawpits. The ChamberTite large drawpit provides a watertight vacuum testable chamber for all your cabling connections with variable height options between 630 and 1730mm. Ideally suited for installation below our CC0900V2 D400 rated lightweight watertight composite manhole cover, the chamber has an internal riser width of 808 mm providing excellent access to cabling for maintenance. Base dimensions are designed to minimise freight costs and are available in 1150 x 1150 mm as standard. Other dimensions available upon request.

The three part chamber consists of a base, adjustable height riser and watertight lid. Manufactured from strong rotationally moulded polyethylene the chamber will not corrode, is easy to cut down to suit site burial depths and drill to fit watertight ChamberTite duct and conduit entry boots. Entry boot seals can be provided for your duct and electrical cabling entry requirements.

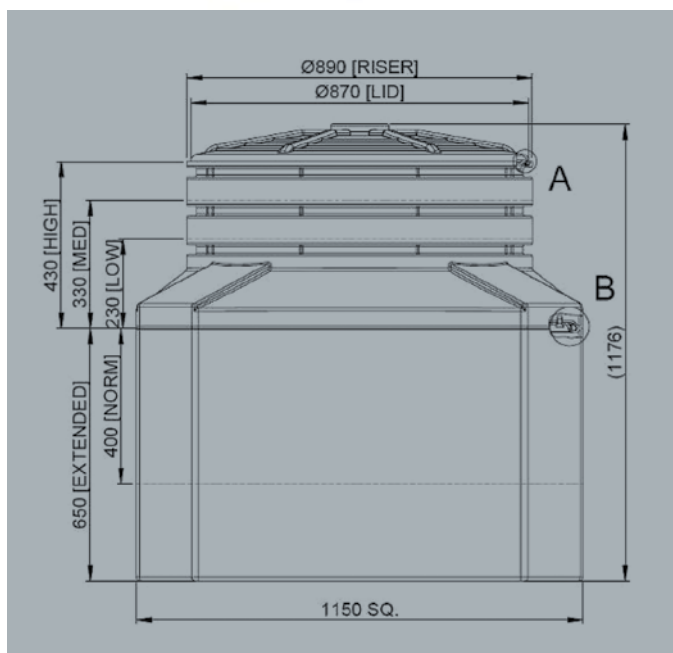
Each riser has three height adjustment levels. Should deeper chambers be required please ask. Chambers can be manufactured in your preferred colour to order or are available as standard in white. The DrawPits can be installed beneath our own Composite Covers 900 mm clear opening lockable watertight manhole cover or can be equally installed beneath traditional cast iron non watertight covers as the chamber comes complete with its own watertight lid.

## Large DrawPit Height Ranges

Shallow base (400 mm) –  
**630, 730, 830mm**

Medium base (650mm) –  
**880, 980, 1080 mm**

(Excluding Lid)



## Other Products



Electrical Draw Pits



Pipe & Cable Entry Boot



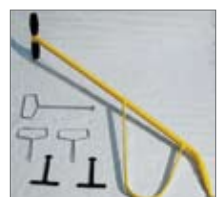
Composite Gully Grates



Tank & Dispenser Sumps



Composite Manhole Covers



Cover Lift Sticks



Forecourt Solutions Ltd  
Unit F, Thistle Park  
Crossways Road  
Showground Business Park  
Bridgwater, Somerset  
TA6 6LS, UK

T: +44 (0) 1278 42 88 33  
F: +44 (0) 1278 45 98 08  
E: info@forecourtsolutionsltd.com  
W: www.forecourtsolutionsltd.com  
Registered in England & Wales No: 5669793  
VAT Reg No: 879 904 263

