



IABU Headquarters

Delta Electronics, Inc.
Taoyuan Technology Center
No.18, Xinglong Rd., Taoyuan City,
Taoyuan County 33068, Taiwan
TEL: 886-3-362-6301 / FAX: 886-3-371-6301

Asia

Delta Electronics (Jiangsu) Ltd.
Wujiang Plant 3
1688 Jiangxing East Road,
Wujiang Economic Development Zone
Wujiang City, Jiang Su Province,
People's Republic of China (Post code: 215200)
TEL: 86-512-6340-3008 / FAX: 86-769-6340-7290

Delta Greentech (China) Co., Ltd.
238 Min-Xia Road, Pudong District,
Shanghai, P.R.C.
Post code : 201209
TEL: 86-21-58635678 / FAX: 86-21-58630003

Delta Electronics (Japan), Inc.
Tokyo Office
2-1-14 Minato-ku Shibadaimon,
Tokyo 105-0012, Japan
TEL: 81-3-5733-1111 / FAX: 81-3-5733-1211

Delta Electronics (Korea), Inc.
1511, Byucksan Digital Valley 6-cha, Gasan-dong,
Geumcheon-gu, Seoul, Korea, 153-704
TEL: 82-2-515-5303 / FAX: 82-2-515-5302

Delta Electronics Int'l (S) Pte Ltd
4 Kaki Bukit Ave 1, #05-05, Singapore 417939
TEL: 65-6747-5155 / FAX: 65-6744-9228

Delta Electronics (India) Pvt. Ltd.
Plot No 43 Sector 35, HSIIDC
Gurgaon, PIN 122001, Haryana, India
TEL : 91-124-4874900 / FAX : 91-124-4874945

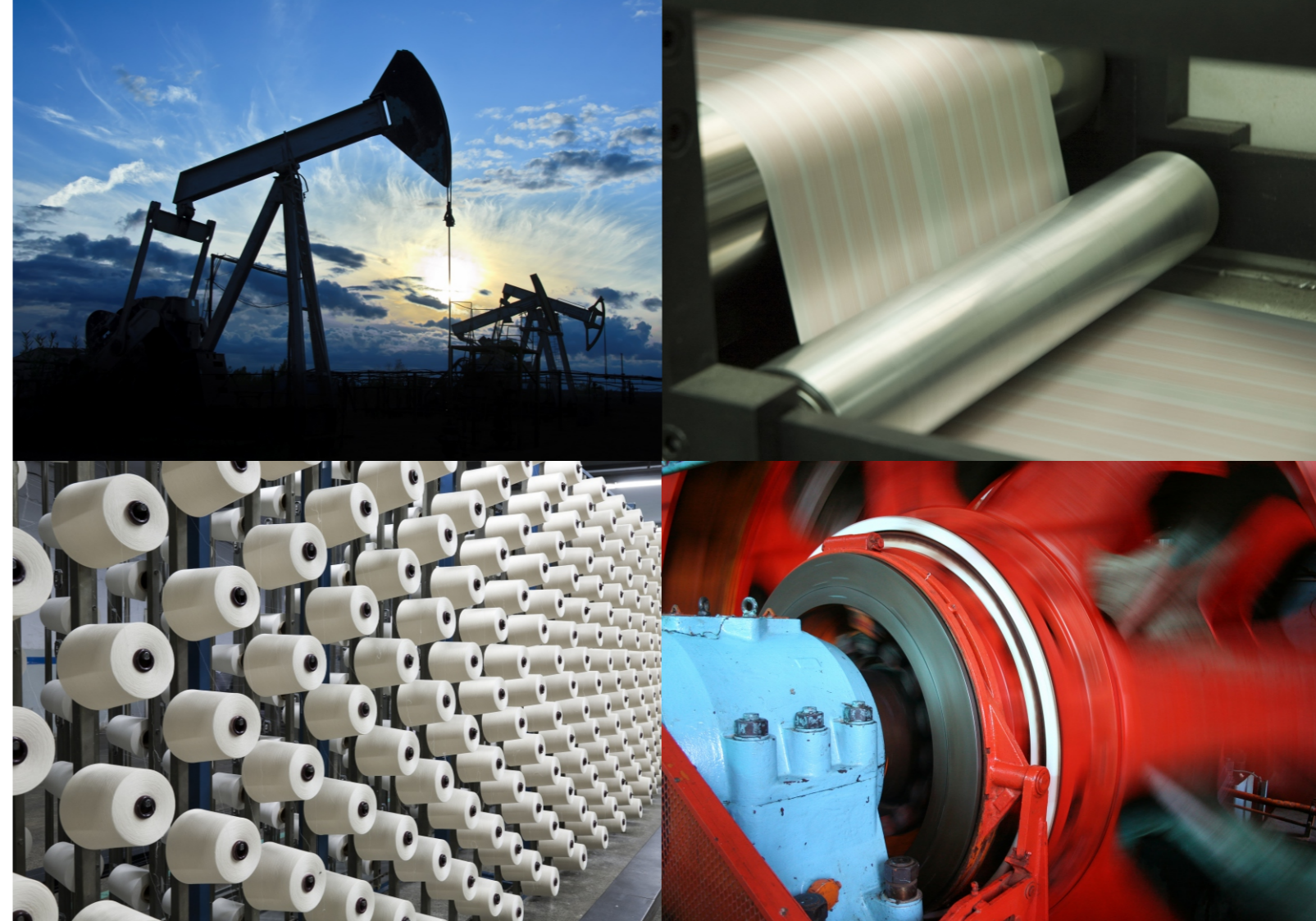
Americas

Delta Products Corporation (USA)
Raleigh Office
P.O. Box 12173, 5101 Davis Drive,
Research Triangle Park, NC 27709, U.S.A.
TEL: 1-919-767-3800 / FAX: 1-919-767-8080

Delta Greentech (Brasil) S.A
Sao Paulo Office
Rua Itapeva, 26 - 3° andar Edificio Itapeva One-Bela Vista
01332-000-São Paulo-SP-Brazil
TEL: +55 11 3568-3855 / FAX: +55 11 3568-3865

Europe

Deltronics (The Netherlands) B.V.
Eindhoven Office
De Witbogt 15, 5652 AG Eindhoven, The Netherlands
TEL: 31-40-2592850 / FAX: 31-40-2592851



Automation for a Changing World

Delta Active Front End AFE2000



*We reserve the right to change the information in this catalogue without prior notice.



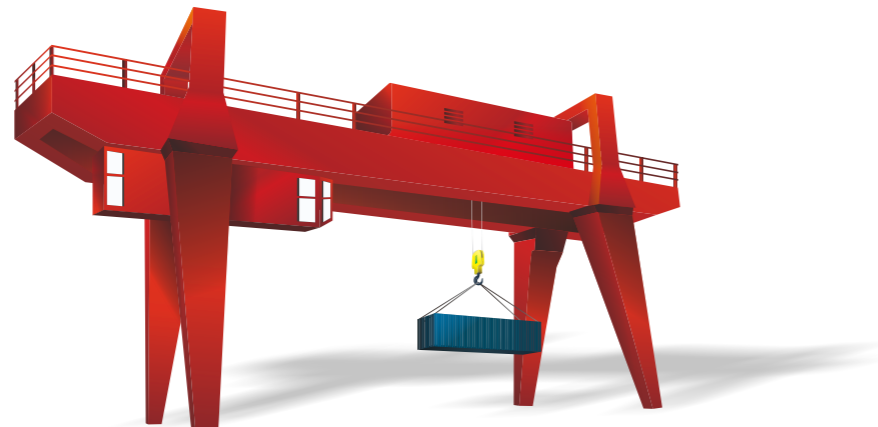
Features

- Replaces traditional brake resistor to reduce heat energy.
- Clear energy savings: more than 95% of the energy is regenerated and supplied back to the mains.
- Full-load operation: input-side current THD lower than 4% and power factor up to 99%.
- AC motor drives with AFE2000: supports 4-quadrant operation with variable frequencies and adjustable system.
- Constant DC bus voltage: unaffected by mains voltage fluctuations.

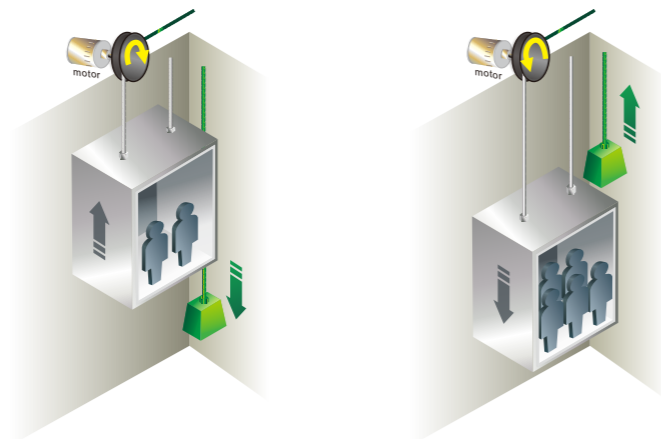
Applications

- Large-inertia loads, such as centrifuge equipment, dewatering machines and roving machines.
- 4-quadrant loads including elevators, cranes and pumpjacks (oil extraction machines)
- Quick braking, such as machine tools, bag making machines, auto storage and retrieval systems, and lathes
- Long-term energy feedback, such as wind power, water power, steel printing and paper making machinery (winding equipment).
- Improves power quality for industries such as semiconductor and panel industries

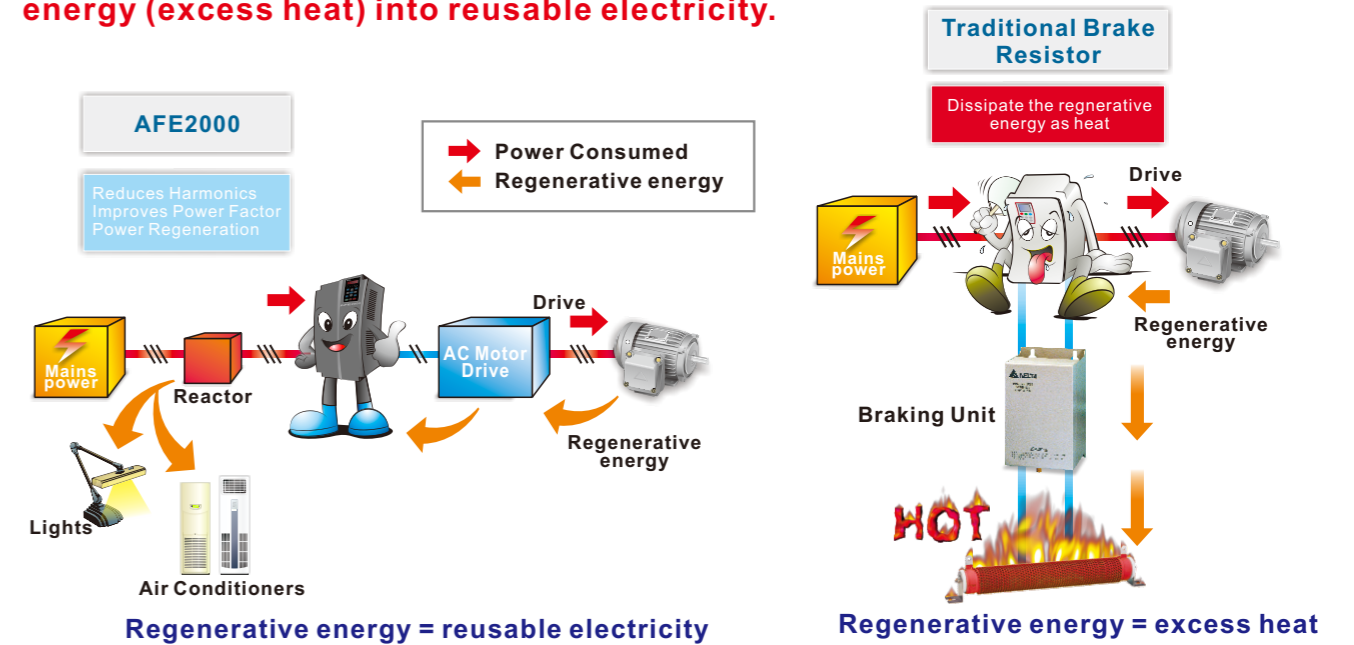
▶ When a crane is unloading large goods or cargos, its motor is in generator mode and produces excess energy. AFE2000 can be installed as a replacement for the traditional brake resistor.



▶ When an elevator is traveling upward with a light load or downward with a heavy load, its motor is in generator mode and produces excess energy. AFE2000 can be installed to convert excess energy into reusable electricity for other devices and equipment used.

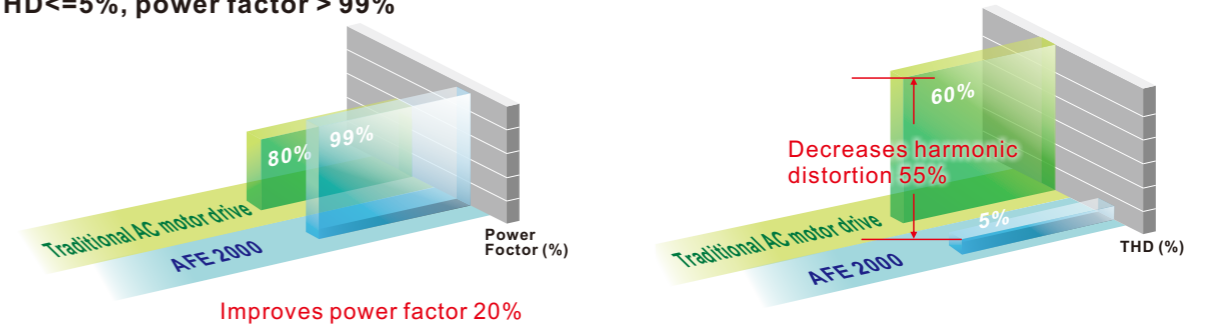


- Replace traditional brake resistors with the AFE2000 to convert regenerative energy (excess heat) into reusable electricity.

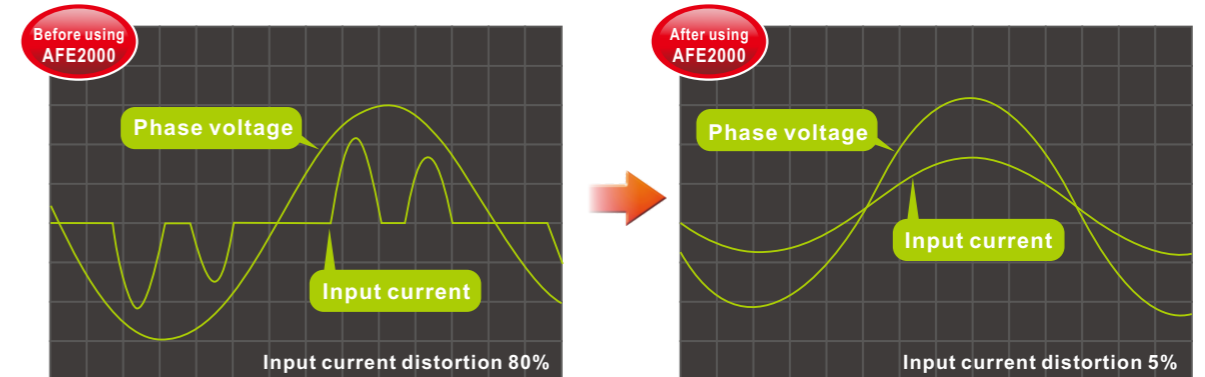


- Improves power factor and decreases harmonic distortion.

▶ THD ≤ 5%, power factor > 99%



▶ Improve power factor, lower harmonic distortion, and decrease energy consumption to reduce energy costs and protect the environment.



▶ The AFE2000 is your best choice for the following international standards:

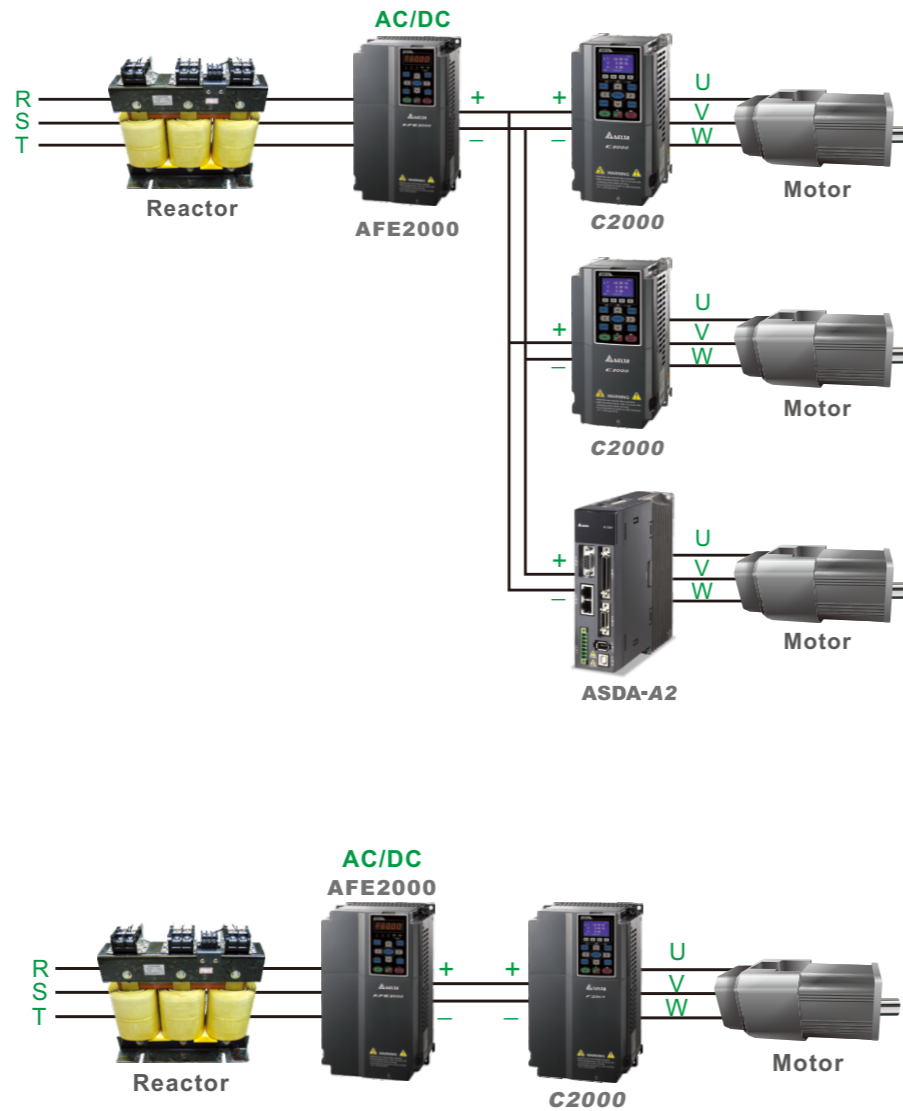
- IEEE519-1992
- IEC/EN61000-3-12
- IEC/EN61000-3-4
- IEC/EN61000-3-2





Multiple Solutions

The AFE2000 provides multiple solutions for regenerative energy, offering better power quality while reducing total electricity costs. It achieves Delta's mission "to provide innovative, clean and efficient energy solutions for a better tomorrow".



This figure is for demonstration purposes only, please refer to standard wiring diagrams for wiring details.

High-speed Fieldbus

- Provides various communication network cards and fieldbus cards
- Built-in RS-485 modbus protocol
- **CANopen** (DS301)
- **DeviceNet**
- **PROFI**[®] PROCESS FIELD BUS
- **MODBUS TCP**
- **EtherNet/IP**[®]

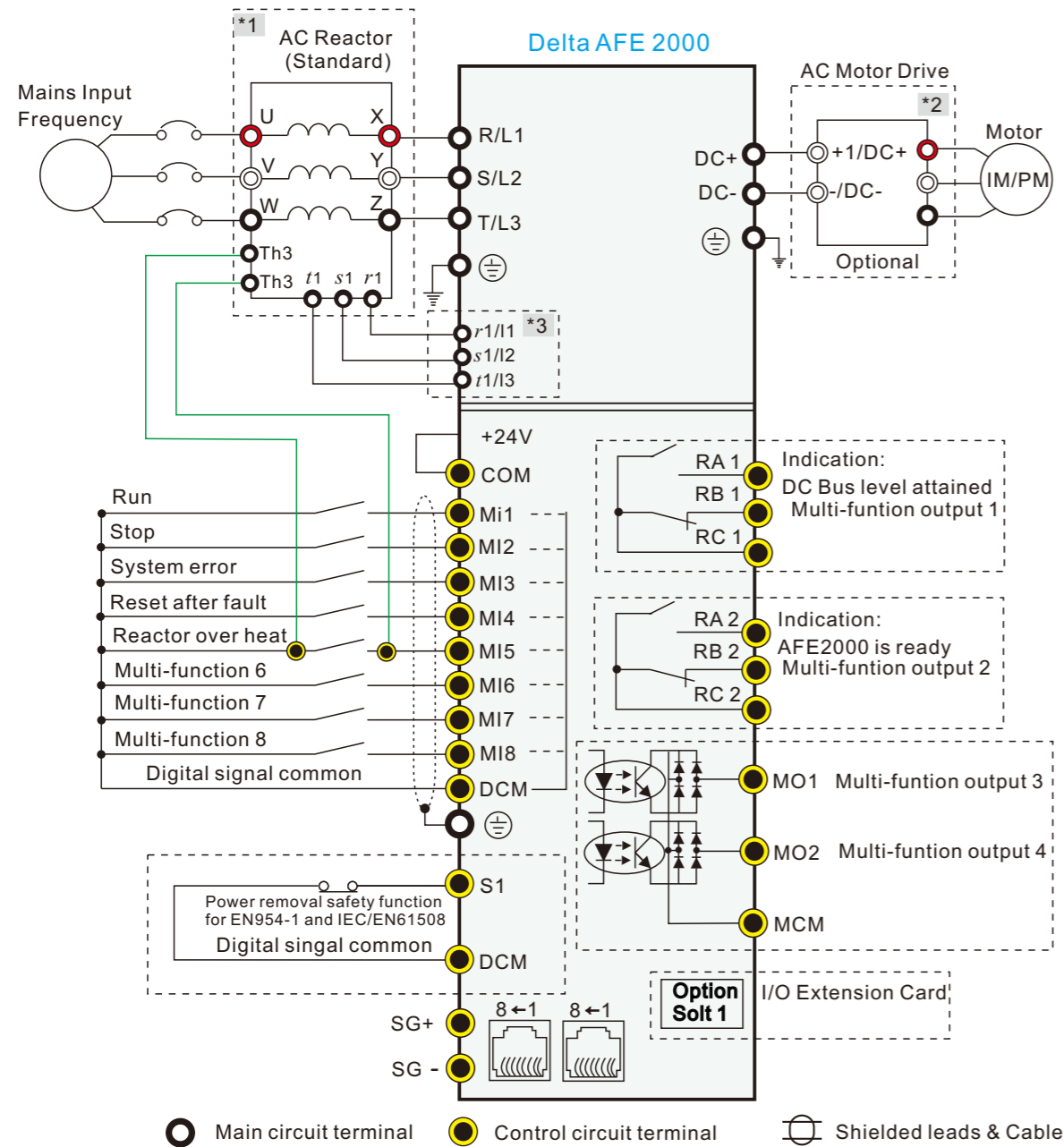
Specifications

230V	Model AFE-__A23A	075	150	220	370
Applicable power (kW)		7.5	15	22	37
Rated input voltage (V)		170~250Vac			
Rated input current (A)		35	70	95	150
Voltage control		300~370Vdc			
Overload capacity		150% 60Sec			
Frequency tolerance		±5%			
Power factor at input side		0.95 to above 0.99			
Harmonic (%)		Less than 5% (at rated current)			
Enclosure type		IP20/NEMA1			
Cooling method		Fan cooling			
Installation environment		For indoors and altitudes of 0~1000m (3280.60 feet), keep away from direct sunlight, corrosive gases, liquids and dust. For altitudes above 1000m (3280.60 feet), please decrease 3% of rated current for every 500m (1640.40 feet) increase. The maximum altitude is 2500m (8202.00 ft)			
Ambient temperature		-10°C~+50°C			
Storage/transportation temperature		-25~+65°C			
Ambient humidity		Lower than 90%RH (non-condensing)			
Vibration		5.9m/ S ² (0.6G) less than 10~55Hz (JIS C0040)			

460V	Model AFE-__A43A	075	150	220	370	450	750
Applicable power (kW)		7.5	15	22	37	45	75
Rated input voltage (V)		325~500Vac					
Rated input current (A)		20	35	50	75	95	160
Voltage control		600~740Vdc					
Overload capacity		150% 60Sec					
Frequency tolerance		±5%					
Power factor at input side		0.95 to above 0.99					
Harmonic (%)		Less than 5% (at rated current)					
Enclosure type		IP20/NEMA1					
Cooling method		Fan cooling					
Installation environment		For indoors and altitudes of 0~1000m (3280.60 feet), keep away from direct sunlight, corrosive gases, liquids and dust. For altitudes above 1000m (3280.60 feet), please decrease 3% of rated current for every 500m (1640.40 feet) increase. The maximum altitude is 2500m (8202.00 ft)					
Ambient temperature		-10°C~+50°C					
Storage/transportation temperature		-25~+65°C					
Ambient humidity		Lower than 90%RH (non-condensing)					
Vibration		5.9m/ S ² (0.6G) less than 10~55Hz (JIS C0040)					

Standard Wiring

■ One-to-One Installation (One AFE unit + One AC motor drive)

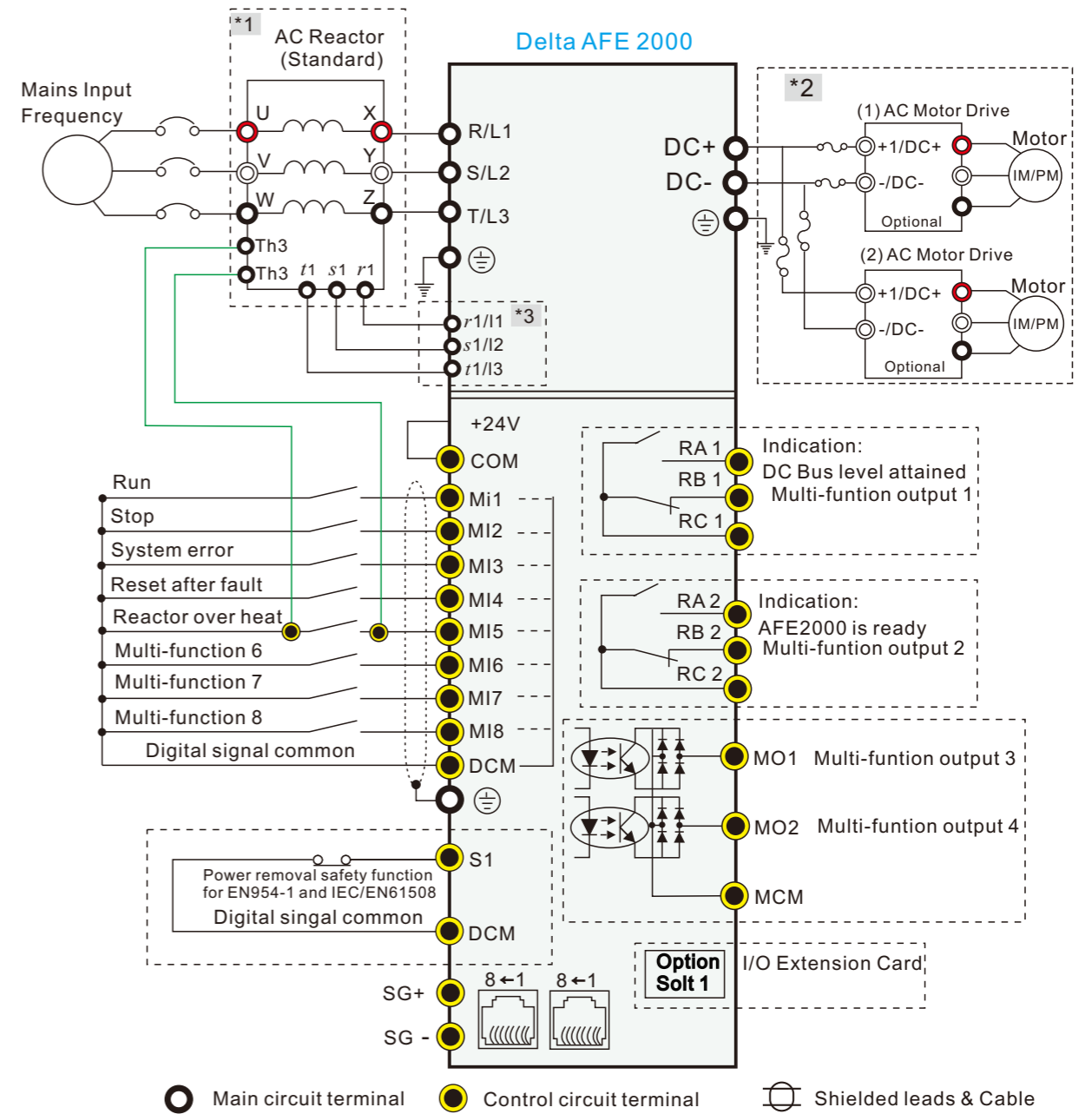


*1 The Delta AC reactor (optional accessory) comes with a thermal protection function. When the reactor's temperature exceeds 120°C, the TH3 terminal will come ON and the AFE 2000 will receive a signal from the MI terminal to issue a warning message.

*2 For one-to-many installation, installing a fuse on the AC motor drive's input side is recommended. Please select a compatible fuse for your AC motor drive using the equation: Fuse specification = AC rated input current / 0.78 x 1.5

*3 If the AC reactor installed on the system is not Delta's AC reactor, please connect the reactor's terminal to the power input terminal (R/L1, S/L2, T/L3) for wiring.

■ One-to-Many Installation (One AFE unit + Many AC motor drives)



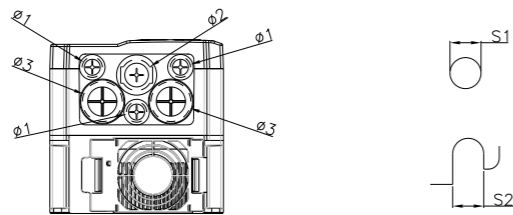
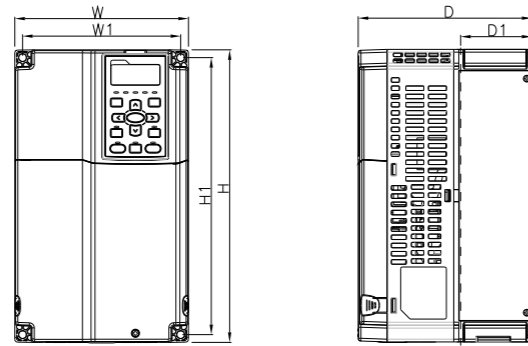
*1 The Delta AC reactor (optional accessory) comes with a thermal protection function. When the reactor's temperature exceeds 120°C, the TH3 terminal will come ON and the AFE 2000 will receive a signal from the MI terminal to issue a warning message.

*2 For one-to-many installation, installing a fuse on the AC motor drive's input side is recommended. Please select a compatible fuse for your AC motor drive using the equation: Fuse specification = AC rated input current / 0.78 x 1.5

*3 If the AC reactor installed on the system is not Delta's AC reactor, please connect the reactor's terminal to the power input terminal (R/L1, S/L2, T/L3) for wiring.

Dimensions

■ Frame B

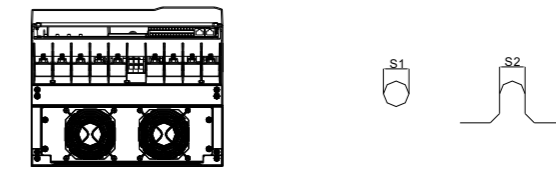
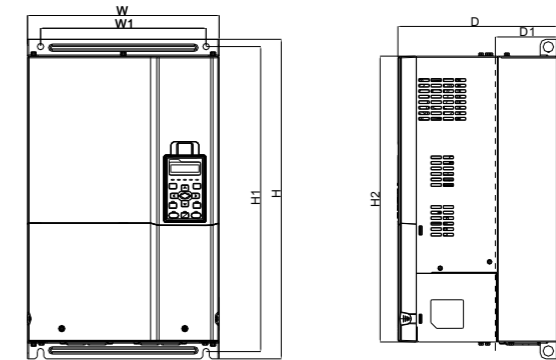


MODEL
AFE075A23A
AFE075A43A
AFE150A43A

D1* : Flange mounting

Frame	W	H	D	W1	H1	D1*	S1	S2	ϕ1	ϕ2	ϕ3	
B1	mm	190.0	320.0	190.0	173.0	303.0	77.9	8.5	8.5	22.2	34.0	43.8
	inch	7.48	12.60	7.48	6.81	11.93	3.07	0.33	0.33	0.87	1.34	1.72

■ Frame D

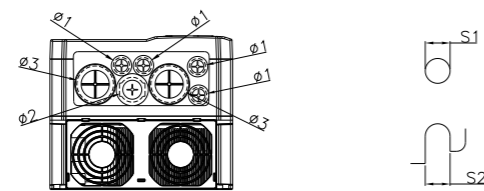
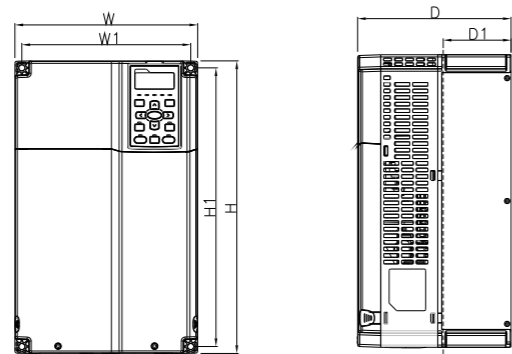


MODEL
AFE370A23A
AFE370A43A
AFE450A43A
AFE750A43A

D1* : Flange mounting

Frame	W	H	D	W1	H1	H2	D1*	S1	S2
B1	mm	330.0	550.0	275.0	285.0	525.0	492.0	11.0	11.0
	inch	12.99	21.65	10.83	11.22	20.67	19.37	4.22	0.43

■ Frame C



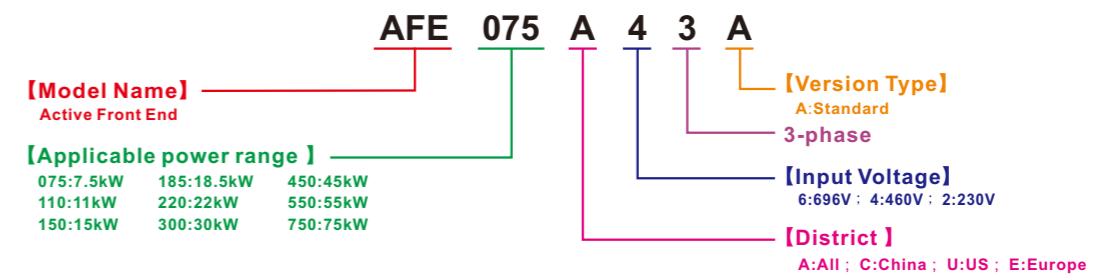
MODEL
AFE150A23A
AFE220A23A
AFE220A43A

D1* : Flange mounting

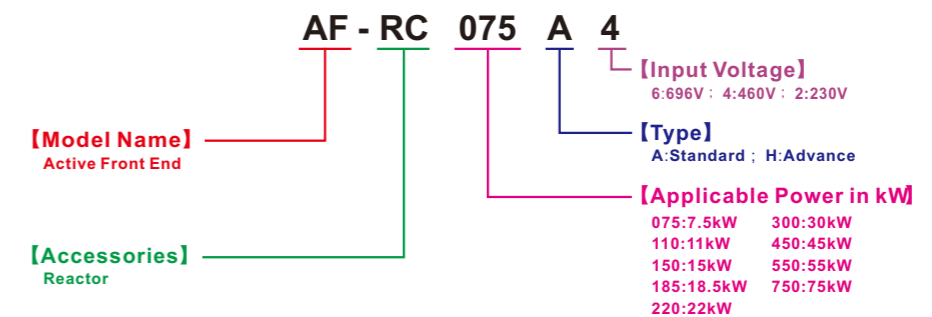
Frame	W	H	D	W1	H1	D1*	S1	S2	ϕ1	ϕ2	ϕ3	
C1	mm	250.0	400.0	210.0	231.0	381.0	92.9	8.5	8.5	22.2	34.0	50.0
	inch	9.84	15.75	8.27	9.09	15.00	3.66	0.33	0.33	0.87	1.34	1.97

Model Name

AFE2000



Reactor

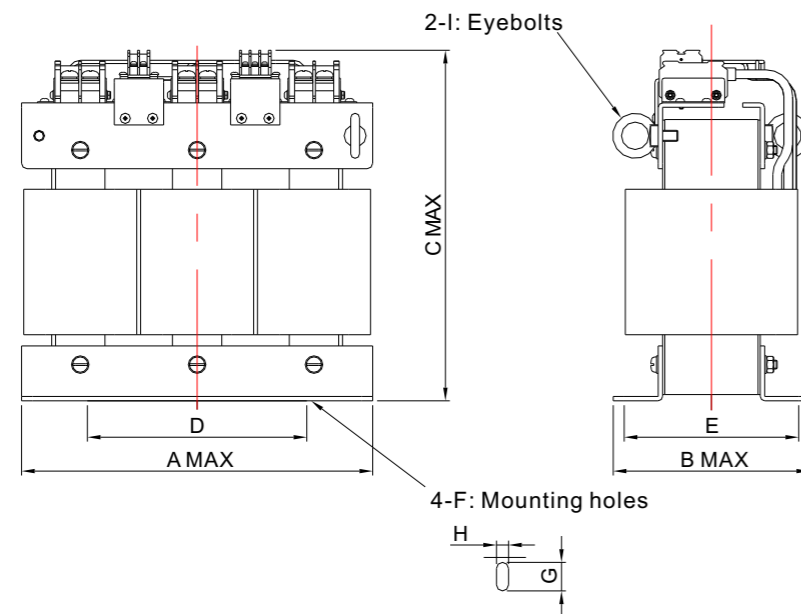


Standard Reactors

230V						
kW	Frame	Applicable Model AFE-__A23A	Reactor Model	Inductance(mH)	Rated Current (Arms)	
7.5	B	075	AF-RC075A2	2.1	35	
15	C	150	AF-RC150A2	1.05	70	
22		220	AF-RC220A2	0.77	95	
37	D	370	AF-RC370A2	0.5	150	

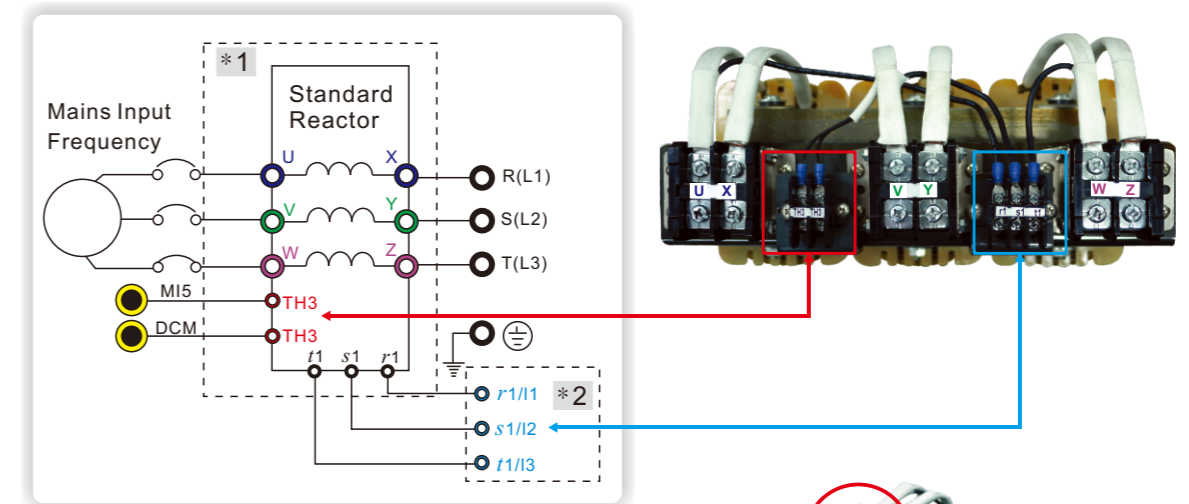
460V						
kW	Frame	Applicable Model AFE-__A43A	Reactor Model	Inductance(mH)	Rated Current (Arms)	
7.5	B	075	AF-RC075A4	7.32	20	
15	C	150	AF-RC150A4	4.18	35	
22		220	AF-RC220A4	2.92	50	
37	D	370	AF-RC370A4	1.96	75	
45		450	AF-RC450A4	1.54	95	
75		750	AF-RC750A4	0.92	160	

Standard Reactor Diagram



Unit : mm(inch)

Model	A	B	C	D	E	F	G	H	I	kg Approx. Mass
AF-RC075A2	305	159	280	150	125	M10	11	22	M10	28
AF-RC150A2	355	180	328	200	139	M10	11	26	M10	52
AF-RC220A2	355	200	328	200	159	M10	11	26	M10	62
AF-RC370A2	385	210	385	200	168	M12	13	25	M10	87
AF-RC150A4	355	180	328	200	139	M10	11	26	M10	52
AF-RC220A4	355	200	328	200	159	M10	11	26	M10	62
AF-RC370A4	385	210	385	200	168	M12	13	25	M10	87
AF-RC450A4	385	230	385	200	188	M12	13	25	M10	105
AF-RC750A4	420	240	440	250	200	M12	13	25	M12	137
AF-RC075A4	305	159	280	150	125	M10	11	22	M10	28



*1 The Delta AC reactor (optional accessory) comes with a thermal protection function. When the reactor's temperature exceeds 120°C, the TH3 terminal will come ON and the AFE 2000 will receive a signal from the MI terminal to issue a warning message.

*2 If the AC reactor installed on the system is not Delta's AC reactor, please connect the reactor's terminal to the power input terminal (R/L1, S/L2, T/L3) for wiring.

Delta AC Motor Drives for AFE2000

Delta Motor Drive



Delta Servo Drive: ASDA-A+, ASDA-A2, ASDA-B2