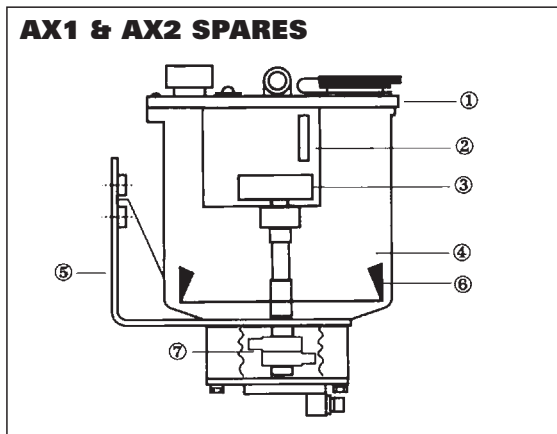


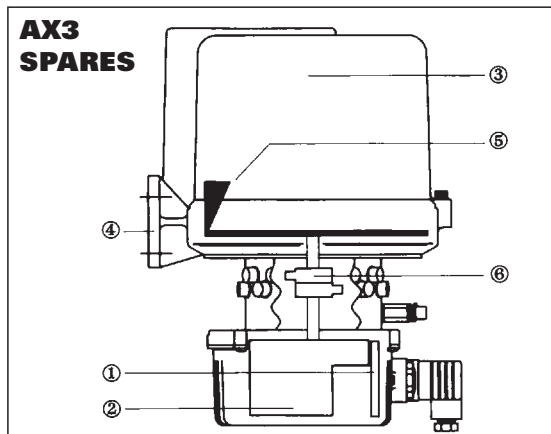
## SPARES REFERENCE

### AX1 & AX2 SPARES



ITEM	AX1	AX2
1. LID ASSY	AX/SP1/P	AX/SP1/P
2. PCB ASSY	AX/SP2	AX/SP2
3. ELECTRIC MOTOR	AX/SP3/110v AX/SP3/240v	AX/SP3/110v AX/SP3/240v
4. RESERVOIR	AX/SP4/P	AX/SP9/P
5. BRACKET	83341-803	83341-803
6. PADDLE ASSY	AX/SP8	AX/SP8
7. CAMSHAFT ASSY	12 UNIT 24 UNIT 38 UNIT	AX/SP5/1 AX/SP5/2 AX/SP5/6

### AX3 SPARES



ITEM	SPARES REF NUMBER	
1. PCB ASSY	AX3/SP2/110v	AX3/SP2/240v
2. ELECTRIC MOTOR	AX3/SP8/110v	AX3/SP8/240v
3. RESERVOIR	AX3/SP9	
4. BRACKET	38580-126	
5. PADDLE ASSY	AX3/SP7	
6. CAMSHAFT ASSY	12 UNIT	AX3/SP5/1
	24 UNIT	AX3/SP5/2
	36 UNIT	AX3/SP5/3
	46 UNIT	AX3/SP5/4
	60 UNIT	AX3/SP5/5
7. MOTOR COVER + PCB	AX3/SP10/110v	AX3/SP10/240v

## DISTRIBUTION SYSTEM

Each lubrication point is serviced by its own individual feed line, via a dedicated pumping unit. The system is capable of handling SAE 80/90 oil up to and including NLGI Grade 2 grease with a 24 unit pump and up to '000' Grade grease on a 36 unit pump with the AX1 and AX2. The AX3 is capable of handling SAE 80/90 oil up to NLGI Grade 2 grease up to 60 points. The feed lines are 4mm O/D semi rigid black nylon tube. UV stabilised, rated 140 bar (14 MN/m<sup>2</sup>).

Individual bearing lubrication on a multi-line system ensures that an accidental pipe breakage affects only one lubrication point, not the complete system.

**INTERLUBE**  
A **TIMKEN** Brand

Part of the



UK Headquarters: Interlube Systems Ltd: St Modwen Road, Parkway Industrial Estate, Plymouth, Devon, England, PL6 8LH. Tel: +44 (0)1752 676000 Fax: +44 (0)1752 676001  
Email: Info@interlubesystems.com

USA Division: Interlube Systems Inc: 4696 Wadsworth Road, Dayton, Ohio 45414, USA Tel: (937) 2764507 Fax: (937) 2764518 Email: nmackay@interlubeusa.com

Interlube Systems (Malaysia) SDN: 30, Jalan Appollo U5/189, Bandar Pinggiran Subang Sesyen, 40150 Shah Alam, Selangor, Malaysia. Tel: (603) 7845 5377 Fax: (603) 7845 5977  
Email: aclube@streamyx.com

# INTERLUBE

A **TIMKEN** Brand



## AX Range

Centralised Lubrication System  
Multi-Industry Applications



*Interlube Systems Ltd - maximising industrial performance world-wide...*

**AX RANGE ELECTRICALLY OPERATED MULTI-LINE SYSTEM**

The Interlube AX Range is a compact electrically operated multi-line system that offers a very economical means of providing centralised lubrication. The pumps are constructed from waterproof and corrosion proof materials, and have fully self contained controls which can be adjusted to give precise amounts of lubrication over a given time period. The AX Range is easy to install and operate, and is virtually maintenance free, making it ideal for a wide range of industrial applications.

- Electrically operated 110/240v
- Suitable for use with SAE 80/90 oil and grease up to NLGI Grade 2
- Serves up to 60 points as standard, larger sizes available upon request
- Multi position timer with memory
- Six colour coded pumping units available with outputs from 0.01cc – 0.1cc
- High quality reliable product. Made in the UK



**PUMPING UNITS**

Positive displacement pumping units are available in six different stroke outputs to cater for varying size bearings.

They are supplied complete with outlet fittings suitable for 4mm tubing.

Colour code	Output/Stroke (cc)	Part No.
■ Red	0.010	78033
■ Green	0.015	78034
■ Orange	0.025	78035
■ Blue	0.040	78036
■ Silver	0.060	78037
■ Black	0.100	78038
Blanking Plug (for unused outlets)		34237-402

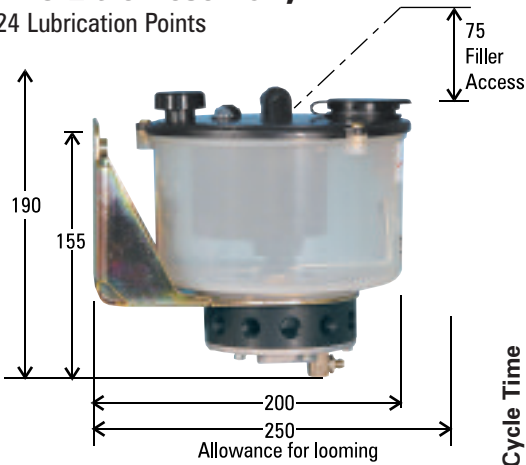
**TECHNICAL DATA**

LUBRICANT	
NLGI Grade 2	Down to 10°F / -12°C
NLGI Grade 1	Down to 0°F / -18°C
NLGI Grade 0	Down to -10°F / -23°C
NLGI Grade 00	Down to -20°F / -29°C
NLGI Grade 000	Down to -30°F / -35°C
<b>Do not use heavy, tackified greases or Bentone (clay based) high temperature grease.</b>	

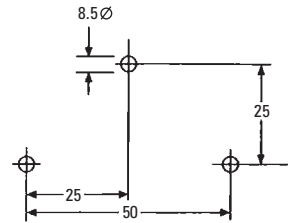
## AX RANGE TECHNICAL DATA

### AX1 (1.25 Litre Reservoir)

Maximum 24 Lubrication Points



#### AX1 - PUMP MOUNTING CENTRES

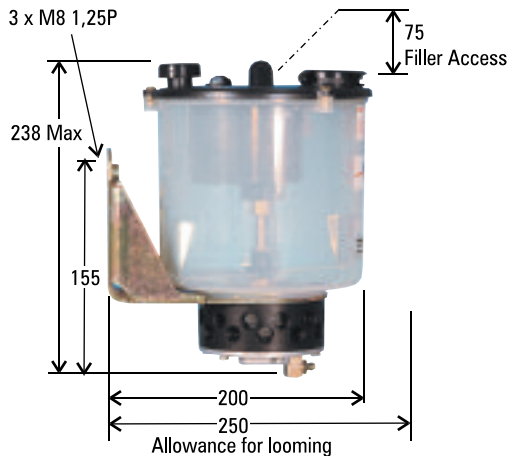


**Ordering Method** AX1 X X X

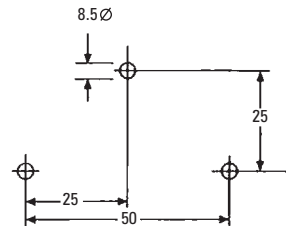
<b>Cycle Time</b>	1 6 Mins	3 110V 50/60 Hz.	1 12 POINTS
	2 15 Mins	4 240V 50/60 Hz.	2 24 POINTS
	3 30 Mins		3 36 POINTS
	4 60 Mins		

### AX2 (2 Litre Reservoir)

Maximum 36 Lubrication Points



#### AX2 - PUMP MOUNTING CENTRES

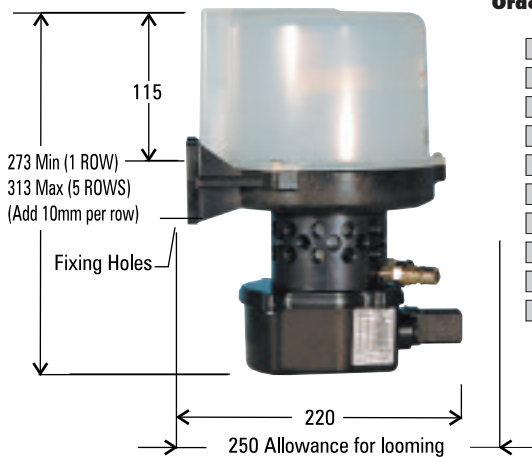


**Ordering Method** AX2 X X X

<b>Cycle Time</b>	1 6 Mins	1 110V	1 12 POINTS
	2 15 Mins	2 240V	2 24 POINTS
	3 30 Mins		3 36 POINTS
	4 60 Mins		

### AX3 (3 Litre Reservoir)

Maximum 60 Lubrication Points



#### Ordering Method AX3 XXXX

0 Continuous	1 110V	1 12 POINTS	1 GREASE NIPPLE FILLER
1 3 Minute delay	2 240V	2 24 POINTS	2 QUICK RELEASE COUPLING
2 7 Minute delay		3 36 POINTS	
3 10 Minute delay		4 48 POINTS	
4 20 Minute delay		5 60 POINTS	
5 30 Minute delay			
6 45 Minute delay			
7 60 Minute delay			
8 90 Minute delay			
9 120 Minute delay			

#### AX3 - PUMP MOUNTING CENTRES

