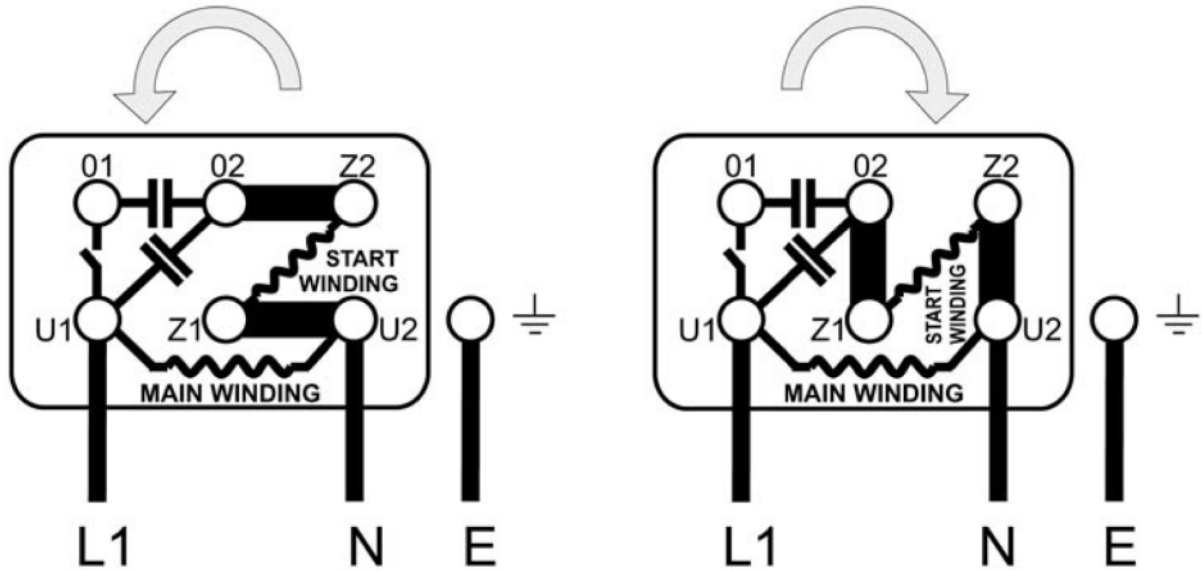
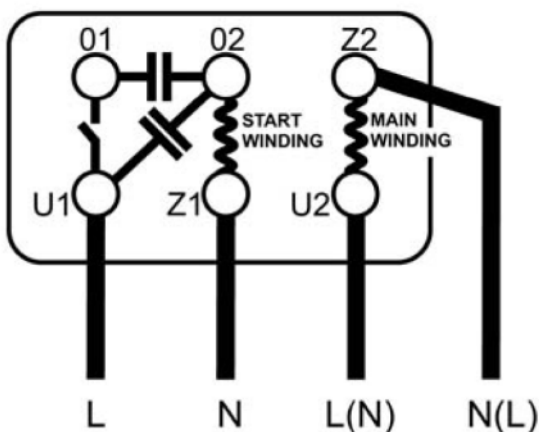


Single-Phase 4APCC Capacitor Start-Capacitor Run Motors Connection Diagram



To change direction of rotation simply re-position the 2 metal links in the terminal box.

In order to use a change-over switch it is necessary to reconnect the internal termination On the terminal block in the following way: **The re-connection must be carried out by a qualified electrician!** Nottingham Electrical Transmissions cannot be held responsible For any damages caused by incorrect wiring.

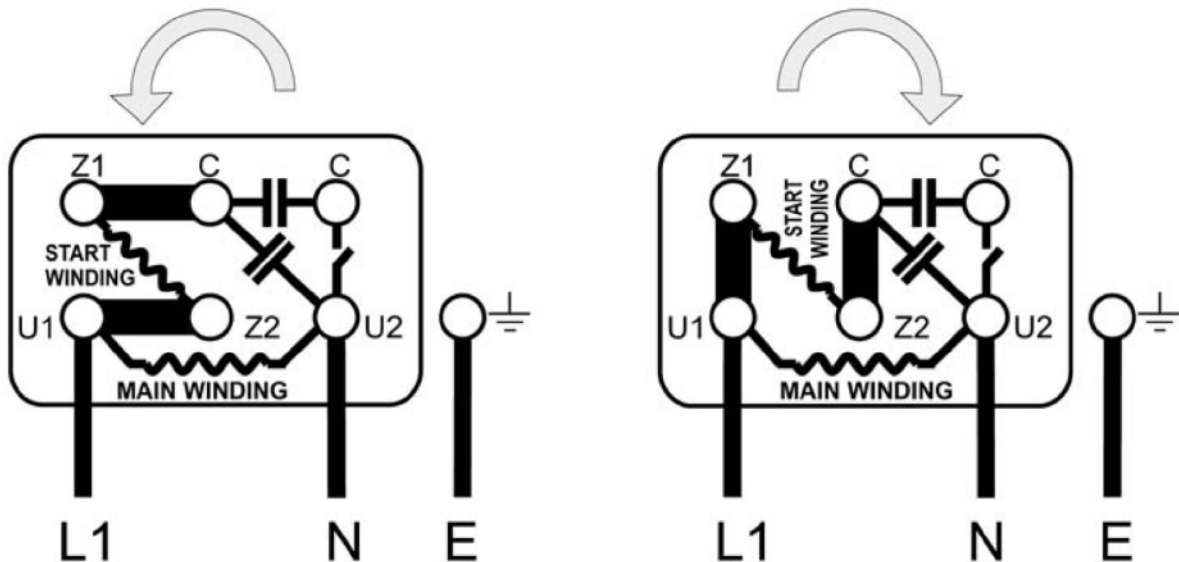


1. Disconnect **Start Winding** cable from **Z2** and connect it to **02**
2. Disconnect **Main Winding** cable from **U1** and connect it to **Z2**

Supply **L** to **U1** at all times.
Supply **N** to **Z1** at all times.
Swap **L** and **N** to **U2** and **Z2**
to change direction of rotation.

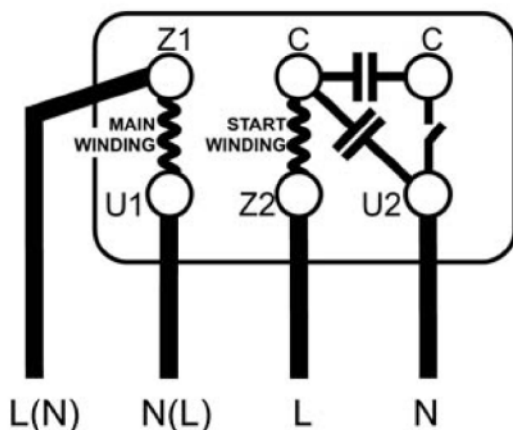
IMPORTANT ! Always check the motor nameplate for correct voltage and the inside of the terminal box lid for the correct wiring diagram.
Ask if in doubt !
Incorrect wiring will damage the motor and invalidate the Warranty!

Single-Phase 7AACC Capacitor Start-Capacitor Run Motors Connection Diagram



To change direction of rotation simply re-position the 2 metal links in the terminal box.

In order to use a change-over switch it is necessary to reconnect the internal termination On the terminal block in the following way: **The re-connection must be carried out by a qualified electrician!** Nottingham Electrical Transmissions cannot be held responsible For any damages caused by incorrect wiring.



1. Disconnect **Start Winding** cable from **Z1** and connect it to **C (the middle C)**
2. Disconnect **Main Winding** cable from **U2** and connect it to **Z1**

Supply **L** to **Z2** at all times.
Supply **N** to **U2** at all times.
Swap **L** and **N** to **Z1** and **U1**
to change direction of rotation.

IMPORTANT ! Always check the motor nameplate for correct voltage and the inside of the terminal box lid for the correct wiring diagram.
Ask if in doubt !
Incorrect wiring will damage the motor and invalidate the Warranty!