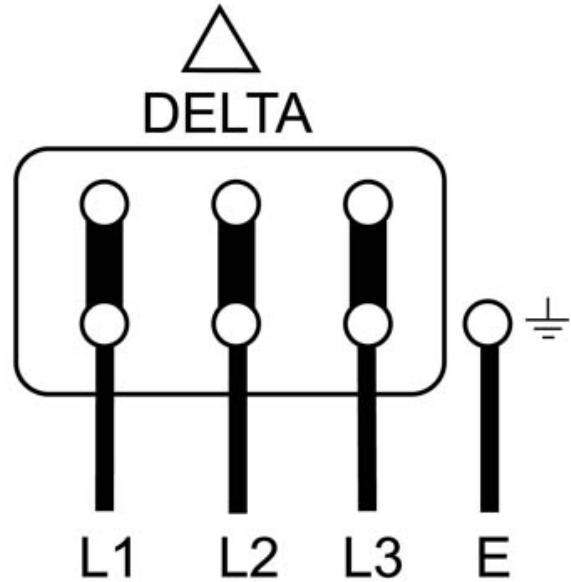
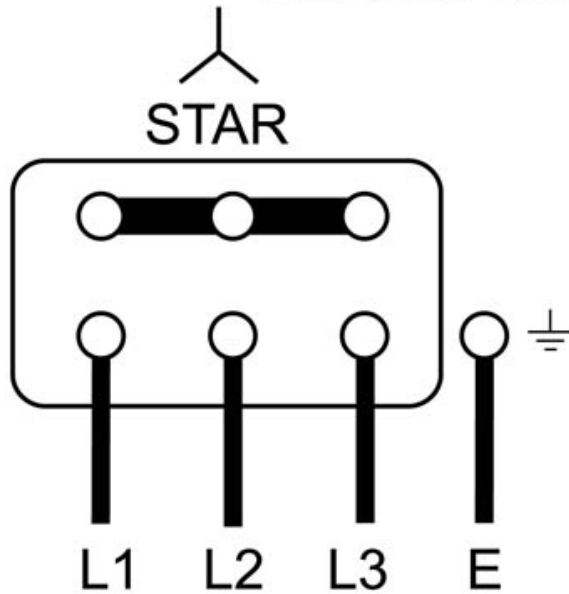
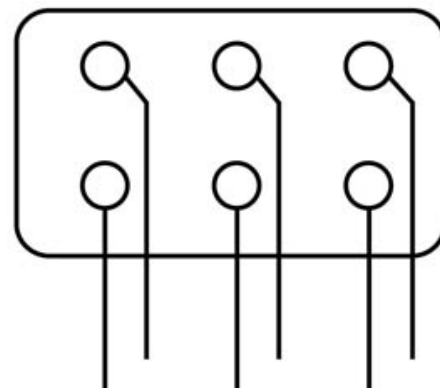
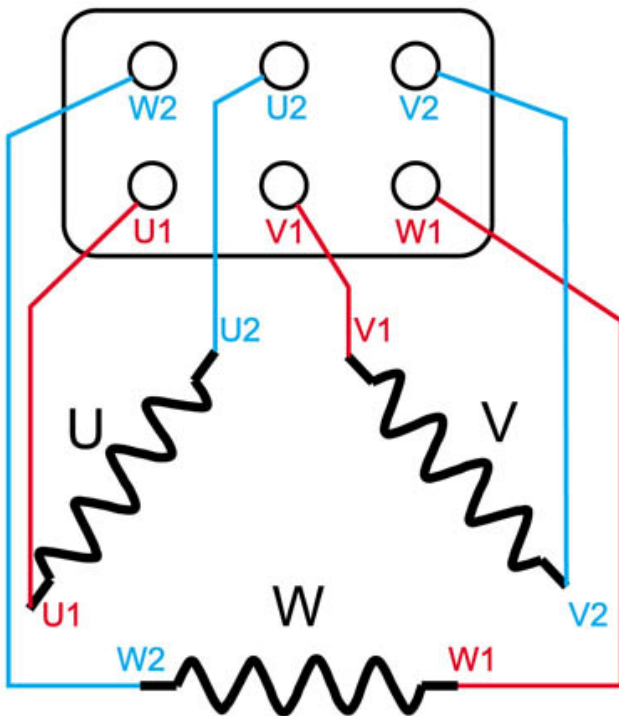


## STAR and DELTA connection of Three-phase Squirrel-cage Electric Motors



To change direction of rotation swap any two Life (L1, L2, L3) inlet leads.



Connection when a STAR-DELTA STARTER is used. For connection of the six leads please follow instructions supplied with your STARTER.

**IMPORTANT !** Always check the motor nameplate for correct STAR (Y) and DELTA (D) voltage. Ask if in doubt !  
Incorrect wiring will damage the motor and invalidate the Warranty!