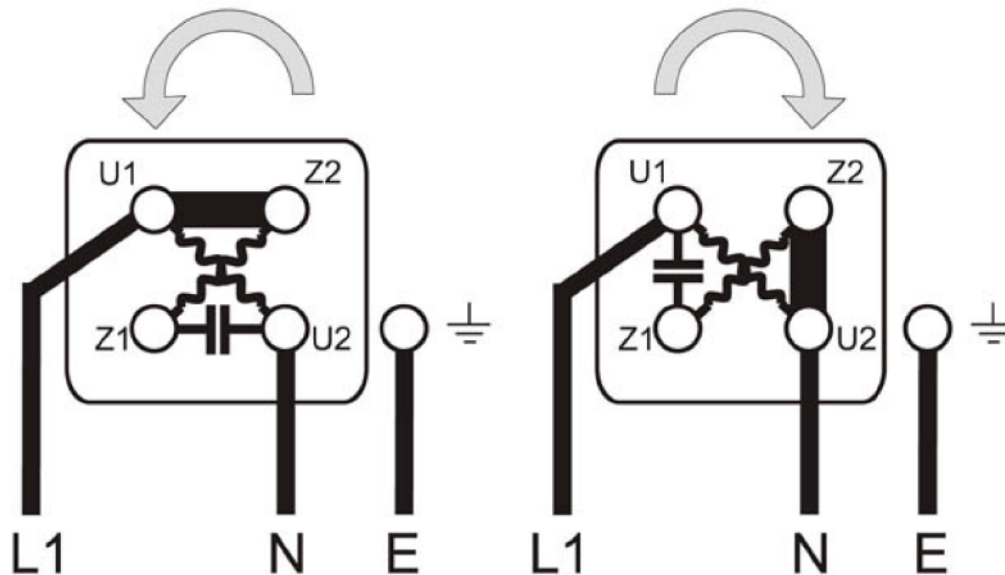
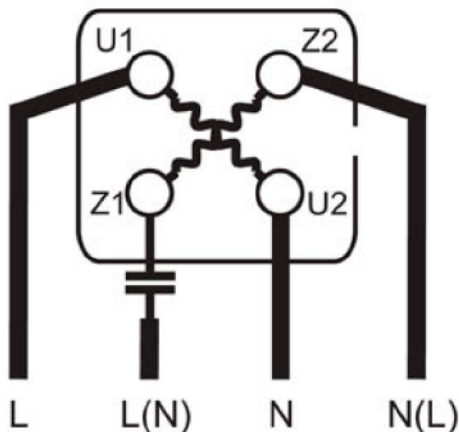


**WIRING DIAGRAM - 4 Pin Terminal Box  
Single-Phase 4APC, 7AAC Permanent Capacitor Motors**



To change direction of rotation simply re-position the metal link and the capacitor.

In order to use a change-over switch it is necessary to reconnect the internal termination on the terminal block in the following way: **The re-connection must be carried out by a qualified electrician!** Nottingham Electrical Transmissions cannot be held responsible For any damages caused by incorrect wiring.

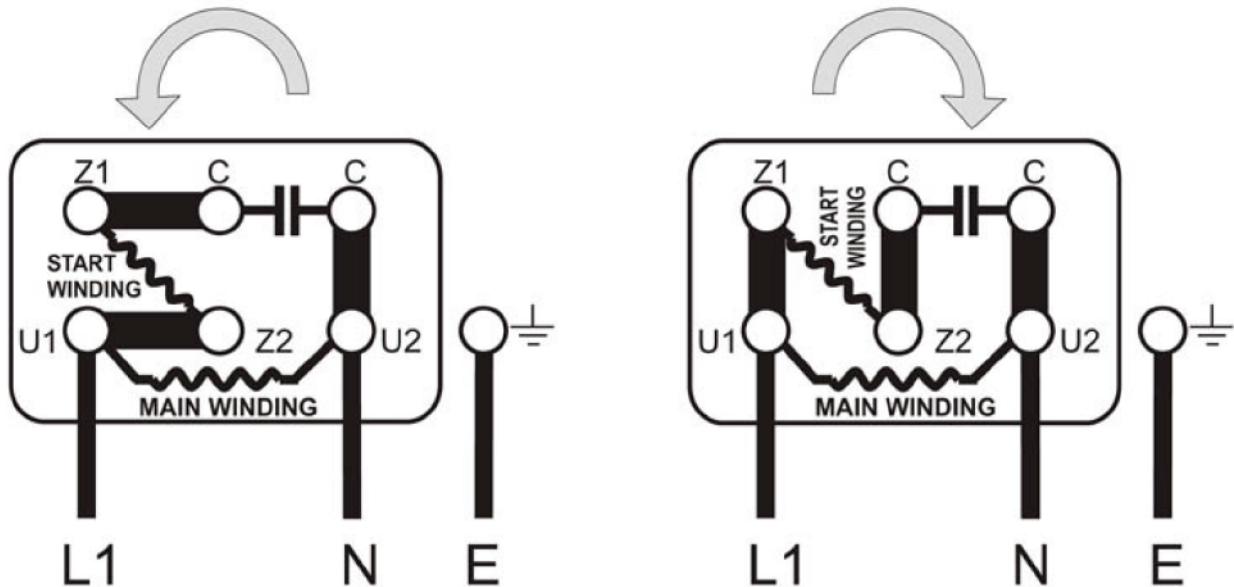


Disconnect the **Capacitor** cable from **U1**

Supply **L** to **U1** at all times.  
Supply **N** to **U2** at all times.  
Swap **L** and **N** to **Z1** (through **Capacitor**)  
and **Z2** to change direction of rotation.

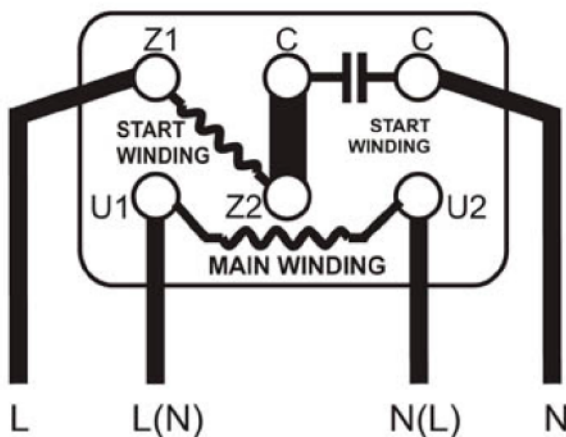
**IMPORTANT !** Always check the motor nameplate for correct voltage and the inside of the terminal box lid for the correct wiring diagram.  
Ask if in doubt !  
Incorrect wiring will damage the motor and invalidate the Warranty!

## WIRING DIAGRAM - 6 Pin Terminal Box Single-Phase 4APC, 7AAC Permanent Capacitor Motors



To change direction of rotation simply re-position the 3 metal links in the terminal box.

In order to use a change-over switch it is necessary to reconnect the internal termination On the terminal block in the following way: **The re-connection must be carried out by a qualified electrician!** Nottingham Electrical Transmissions cannot be held responsible For any damages caused by incorrect wiring.



Supply **L** to **Z1** at all times.  
Supply **N** to **C** (top right-hand) at all times.

Swap **L** and **N** to **U1** and **U2**  
to change direction of rotation.

**IMPORTANT !** Always check the motor nameplate for correct voltage and the inside of the terminal box lid for the correct wiring diagram.  
Ask if in doubt !  
Incorrect wiring will damage the motor and invalidate the Warranty!