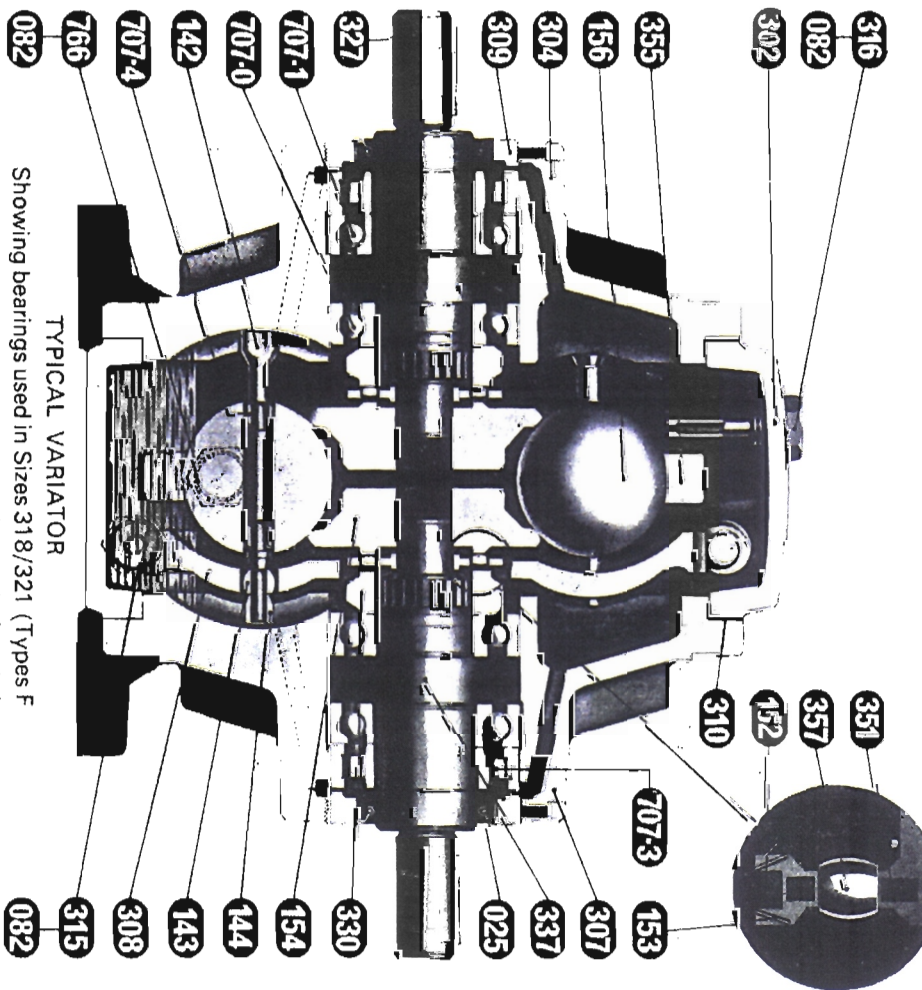


Variator Parts List

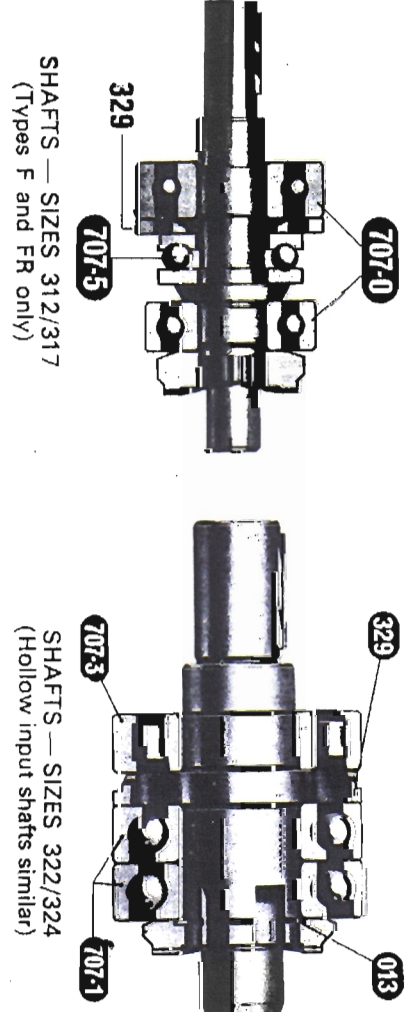
Always quote Variator Serial No. when ordering spares

PART NO.	NO. OFF	DESCRIPTION	PART NO.	NO. OFF	DESCRIPTION
025	2	Shaft seal	ELECTRICAL REMOTE CONTROL		
029	1	Locating Pin	A	2	Micro switch
030	3	Spring pin	B	1	Terminal strip
035	4	Screw	C	1	Potentiometer
041	4	Motor fixing bolt	D	1	Worm
082	6	Sealing washer	E	1	Worm wheel
142	.	Ball spindle	R	3	Fixing screw
143	.	Guide ball	S	1	Variator adaptor
144	.	Guide roller	T	1	Spindle
152	2	Roller cage ring	U	1	Seal
153	4	Preload spring	V	1	O-ring
154	2	Drive cone	W	1	Inner bush
156	.	Drive ball	X	1	Outer bush
302	1	Body	Y	1	Flanged bush
304	1	End cover-output	Z	1	Clutch assembly
307	1	End cover-input	(Note: Part Numbers are not shown as they vary with individual suppliers)		
308	1	Lits plate	FAN ASSEMBLY		
309	2	Adjustment disc	013	1	Circlip
310	2	Gasket	358	1	Fan
315	1	Magnetic plug assembly	359	1	Fan cowl
316	1	Breather plug assembly	360	1	Fan cowl guard
325	1+	Drive Shaft sub-assembly	HANDWHEEL CONTROL		
		-output	612	1	Handwheel assembly
327	1	Drive Shaft-output	614	1	Limit stop assembly
329	.	Bearing spacer	622	1	Stop plug assembly
330	2	Splined disc	365	1	Worm assembly
335	1+	Drive shaft sub-assembly	367	2	Worm bearing assembly
		-input	PUMP UNIT		
337	1	Drive shaft-input	345	1	Pump assembly
351	2	Roller cage	RACK CONTROL		
355	1	Retaining ring	025/1	Set	Seals
357	.	Clutch roller	035/1	1	Rack locating screw
485	1	Motor adaptor	081	1	Sealing washer
766	2	Oil level plug	318	1	Rack assembly
			319	2	Rack housing
			320	2	Seal housing
			321	2	Seal housing cover
			724	2	Locking collar
					BEARINGS
					707-0 Radial
					707-1 Angular contact
					707-3 Roller
					707-4 Caged needle
					707-5 Thrust



TYPICAL VARIATOR

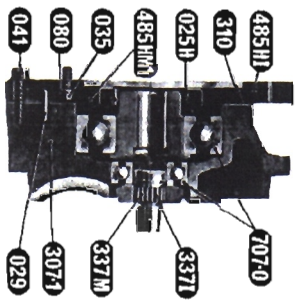
Showing bearings used in Sizes 318/321 (Types F and FR) (Also applies to hollow input shaft units)



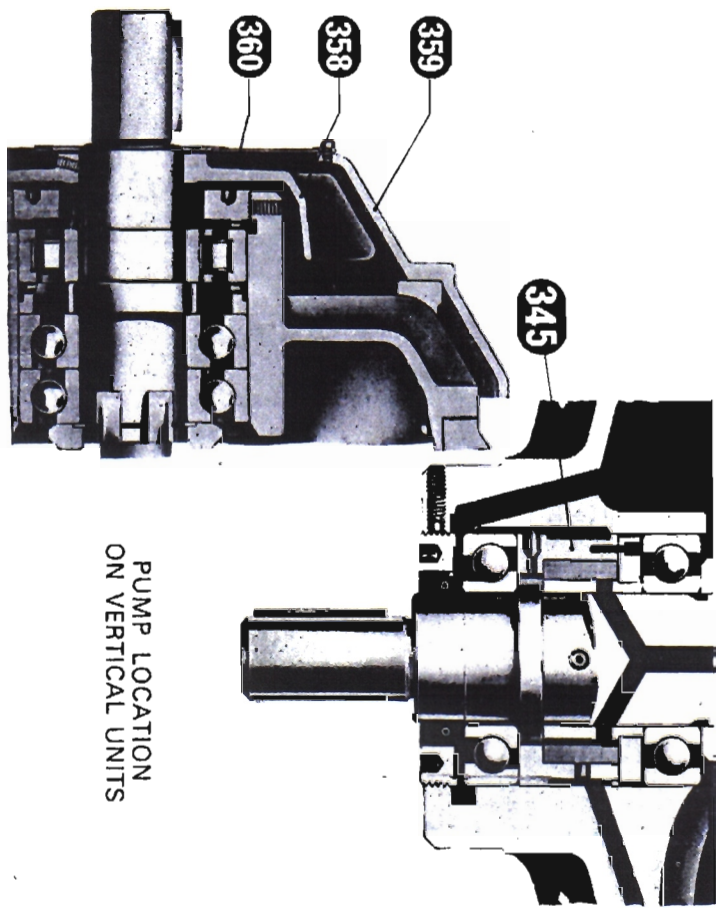
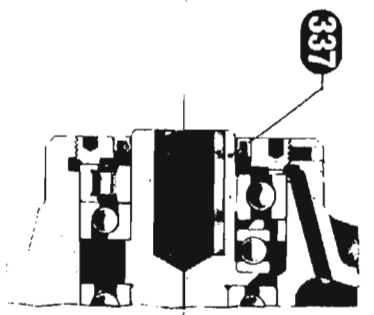
SHAFTS — SIZES 312/317 (Types F and FR only)

SHAFTS — SIZES 322/324 (Hollow input shafts similar)

*Dependent on size of Variator.
Sub-assembly comprises shaft, bearing and splined disc.
†When ordering bearings, maker's Type No. should always be quoted.

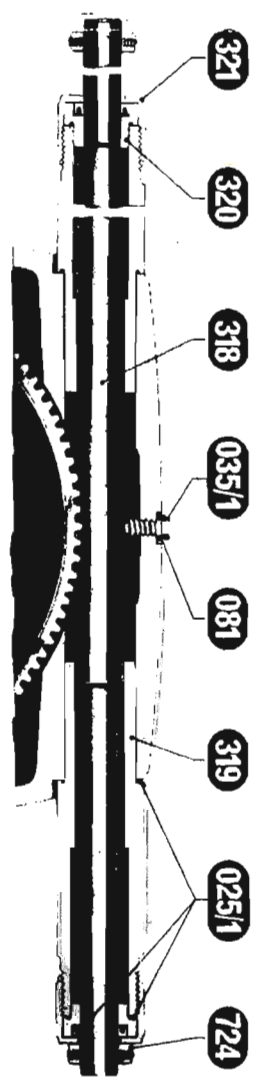


HOLLOW INPUT SHAFTS FOR MOTORISED UNITS
 SIZES 312/315
 SIZES 316/321

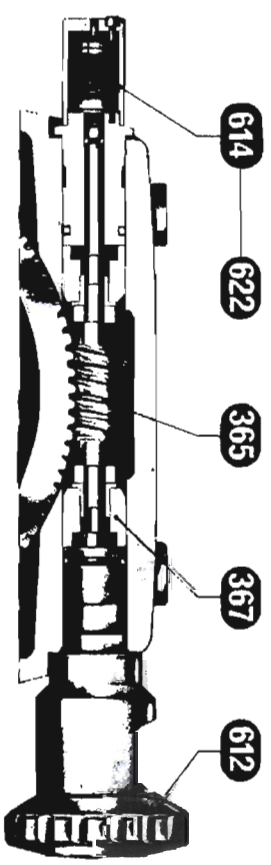


FAN ASSEMBLY (SIZES 320/324)
 (Illustration—sizes 322/324)

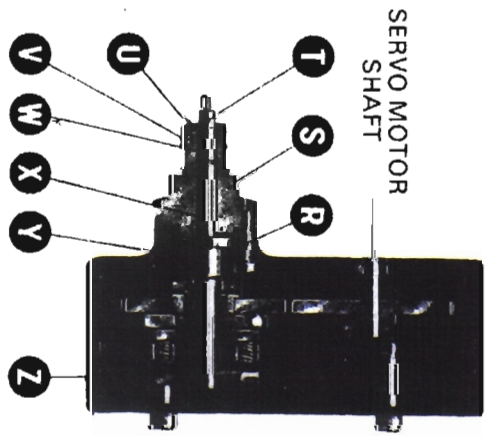
PUMP LOCATION
 ON VERTICAL UNITS



RACK CONTROL

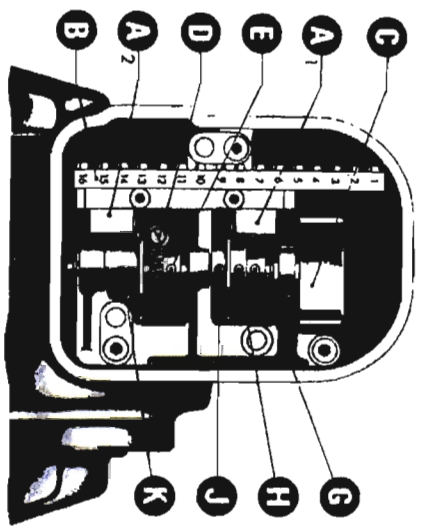


HANDWHEEL CONTROL



SERVO MOTOR
 SHAFT

Type A



ELECTRICAL REMOTE CONTROLS

Type B