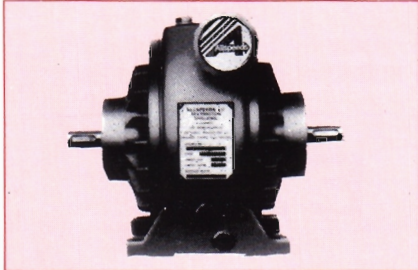
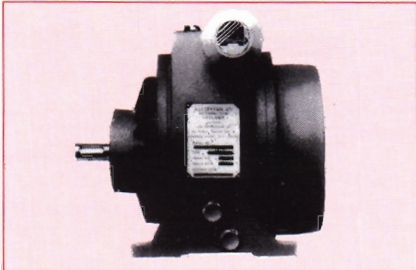




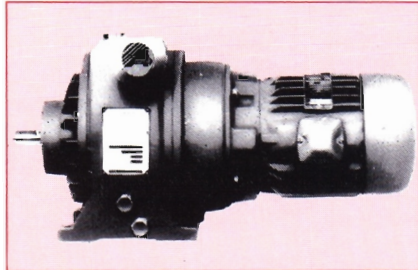
Dimensions F, H and M



F With free input and output shafts.



H With spacer to accept flange mounting B.S. Metric/I.E.C. motors.



M Motorised with flange mounted B.S. Metric/I.E.C. motors. Terminal boxes of size 312 motorised Variators are on the top of the motor.

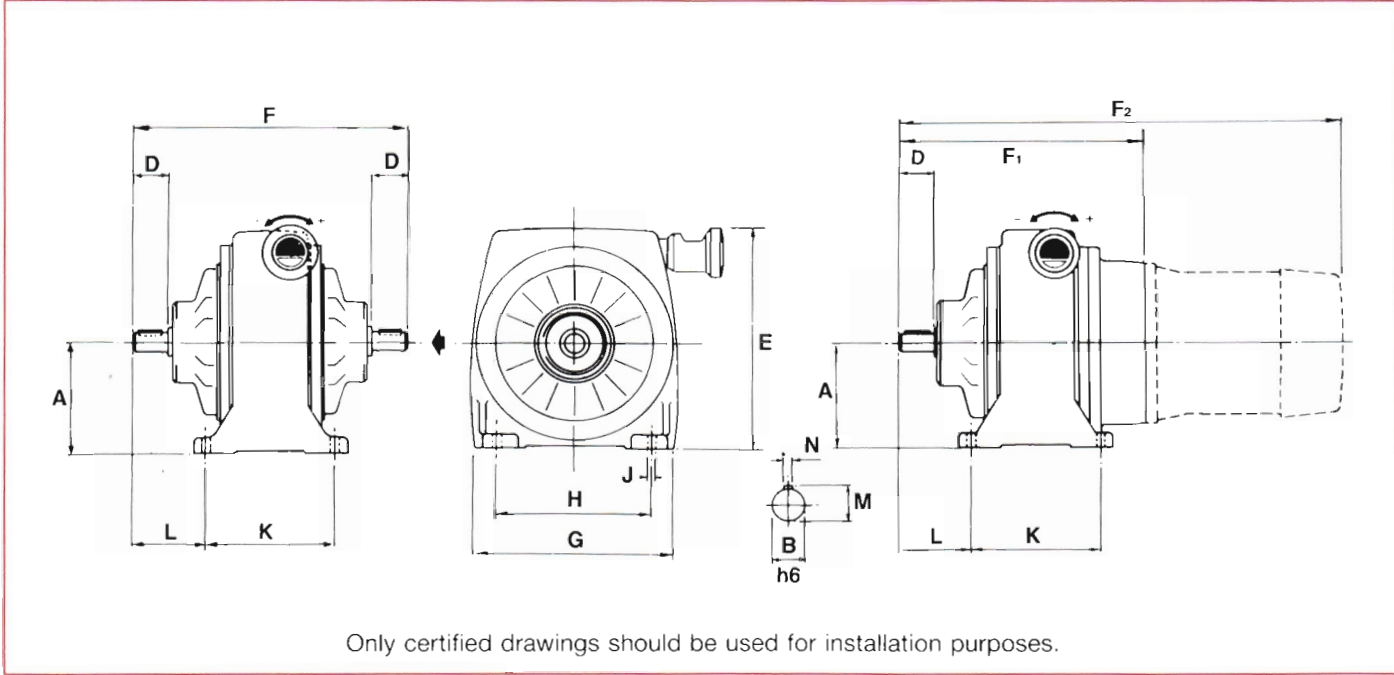


Fig. 25

Variators of sizes 316/324 are provided with tapped holes in the drive shaft ends as follows: 316/321 – M8, 322/324 – M12.

UNIT SIZE	A	B	D	E	F	F ₁	F ₂	G	H	J	K	L	M	N	F		H		M	
															kg.	lb.	kg.	lb.	kg.	lb.
312	70	10	20	152*	177	156	354	124	90	8	80	48,5	11,2	3	5,3	11.6	6,7	14.7	14,7	32.3
314	100	15	35	204	270	230	476	173	130	9,5	130	70	17	5	14,2	31.2	17,5	38.5	30,4	67.0
315	100	15	35	204	270	230	476	173	130	9,5	130	70	17	5	16,5	36.4	19,1	42.0	31,4	69.0
316	130	24	45	279	340	302	572	244	190	11	160	90	27	8	36,7	81	41,5	91.5	61	134
317	130	24	45	279	340	302	572	244	190	11	160	90	27	8	40,8	90	45,6	101	68	150
318	170	28	58	345	416	365	665	295	220	15	190	113	31	8	66,7	147	75,3	166	104	230
320	190	35	70	383	490	444	828	323	240	17,5	200	135	38	10	89	196	101,2	224	152	334
321	190	35	70	383	490	444	828	323	240	17,5	200	135	38	10	93	205	108	238	175	386
322	220	45	75	440	576	533	1031	381	300	19	260	147	48,5	14	170	375	199	440	268	592
324	220	45	75	440	576	533	1031	381	300	19	260	147	48,5	14	176	388	205	452	311	686

* 166mm if motorised

All dimensions are in millimetres