

INVERTER

E2 Series

TECO



Specification

Model E2-□□□□-xxxx	1P2	1P5	101	2P2	2P5	201	202	203	401	402	403	
Rated Motor Power kW	0.2	0.4	0.75	0.2	0.4	0.75	1.5	2.2	0.75	1.5	2.2	
Rated Motor HP	1/4	1/2	1	1/4	1/2	1	2	3	1	2	3	
Rated Output Current A	1.4	2.3	4.2	1.4	2.3	4.2	7.5	10.5	2.3	3.8	5.2	
Rated Capacity kVA	0.53	0.88	1.6	0.53	0.88	1.6	2.9	4	1.7	2.9	4	
Input Voltage	1 Ø 100-120V (-15% ~ +10%) 50/60Hz (+/-5%)			1 Ø 200-240V (-15% ~ +10%) 50/60Hz (+/-5%)			1/3 Ø 200-240V (-15% ~ +10%) 50/60Hz (+/-5%)		3 Ø 380-480V (-15% ~ +10%) 50/60Hz (+/-5%)			
Output Voltage	3 Ø 200 - 240V								3 Ø 380 - 480V			
Input Signal Type	PNP type (SOURCE) input (External DC24V allowed)											
Control Method	Sinusoidal wave PWM control											
Frequency Control	Freq. Range	1 - 200 Hz *1										
	Resolution	Digital: 0.1 Hz (1 - 99.9Hz); 1Hz (100 - 200Hz), Analog: 1Hz/60Hz										
	Keypad Setting	Directly adjusted by ▲▼ buttons										
	Display	Three digital LED display frequency/inverter parameter/fault record/program version										
	External Signal Setting	0 - 10V, 4 - 20mA, 0 - 20mA										
	Other Function	Frequency upper and lower limit										
General Control	Carrier Frequency	4 - 16kHz *1										
	Accel/Decel Time	0.1 - 999 Sec.										
	V/F Pattern	6 Patterns										
	Torque Control	Torque boost level adjustable										
	Multi-function Input	2 points for multi-speed 1(Sp1)/2(Sp2)*1Jog/Emergency stop/External bb/Reset										
	Multi-function Output	1 Relay for Fault/Running/Frequency agreed function										
	Braking Torque	20%					20% - 100%, braking transistor built in					
Other Function	Decelerate or coast to stop, Auto reset, DC braking, with adjustable frequency/voltage/time											
Protection Function	Instantaneous over Current	Approx 200% rated current										
	Overload	150% for 1 min.										
	Over Voltage	DC voltage > 410V							DC voltage > 800V			
	Under Voltage	DC voltage > 200V							DC voltage > 400V			
	Momentary Power Loss	0 - 2 sec, restart by speed search										
	Stall Prevention	Accelerate/Decelerate/Constant speed										
	Output Short Circuit	Electronic protection										
	Ground Fault	Electronic protection										
Other Function	Heat sink overheat protection, Current limit											
Enclosure	IP20/IP65 (NEMA4)											
Operating Temperature	-10 - 50°C					-10 - 40°C with dust shield						
Humidity	0 - 95% RH non-condensing											
Vibration	Under 1 G (9.8 m/s ²)											
UL	UL50BC											
CE	EN50081-1, EN50082-2, EN50178											
Installation	Mounting Screw or DIN rail (Option)											

*1 E2-2P2/2P5/201 (CPU VERSION 1.6) have different specifications, please contact us for details.

TECO

INVERTER E2 Series



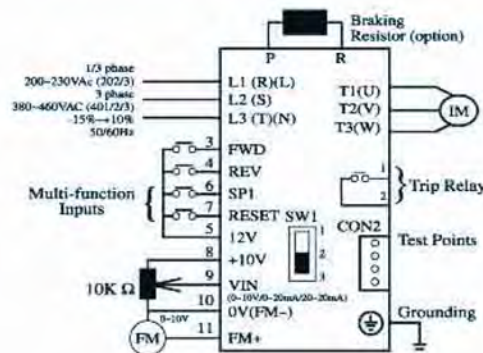
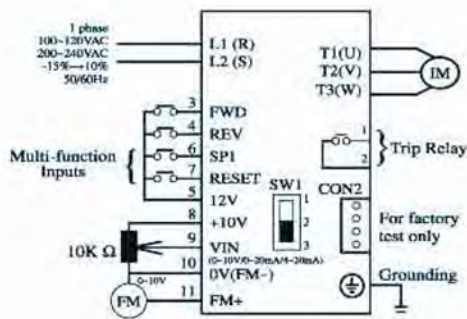
Feature

- Easy for Operation
- Cost efficiency
- EMI Filter Built-in
- 16kHz Carrier Freq.
- DIN Rail mounting option
- IP20, IP65(NEMA4) Enclosure

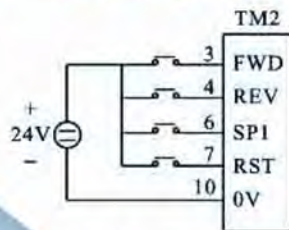
Interconnection

E2-1P2/ 1P5/ 1O1/ 2P2/ 2P5/ 2O1 Inverter

E2-2O2/ 2O3/ 4O1/ 4O2/ 4O3 Inverter



External DC24V wiring diagram



Ordering numbers

E2	2	P5	H	1	F	N4S
Series	Input Voltage	Capacity	Specification	Phase of input power	Filter option	Enclosure
	2:200VAC	P2 = 0.2kw	M:Basic type	Blank: 1/3 phase	Blank: without filter	Blank:IP20
	4:400VAC	P5 = 0.4kw	(CPU Version 1.6)	1:1 phase	F: with filter	N4:IP65 (NEMA4)
	1:120VAC*	O1 = 0.75kw	H: Advanced type	3:3 phase		Without switch
	*(Subject to demand)	O2 = 1.5kw	(CPU Version 1.9 or above)			N4S:IP65 (NEMA4)
		O3 = 2.2kw				With Switch

Inverter Dimension & Weight

Inverter Capacity	Enclosure IP20 (mm)					Weight (Kg)	
	W	H	D	W1	H1	With Filter	Without Filter
E2-1P2	72	132	118	61	116	NA	0.76
E2-1P5						NA	0.77
E2-101						NA	0.84
E2-2P2						0.76	0.68
E2-2P5						0.77	0.69
E2-201						0.80	0.72
E2-202	118	143	172	108	127.5	1.46	1.95
E2-203						1.76	2.05
E2-401						1.6	1.38
E2-402						1.62	1.4
E2-403						1.68	1.46

Inverter Capacity	IP65(NEMA4) without Switch (mm)					Weight (Kg) W/O Filter	IP65(NEMA4) without Switch (mm)					Weight (Kg) W/O Filter
	W	H	D	W1	H1		W	H	D	W1	H1	
E2-1P2	133.57	204.82	161.29	117.23	188.96	3.1	133.57	204.82	173.38	117.23	188.96	3.3
E2-1P5						3.1						3.3
E2-101						3.1						3.3
E2-2P2						3.2						3.4
E2-2P5						3.2						3.4
E2-201						3.2						3.4
E2-202	232	295	180.5	210	274.5	6.0	232	295	211.4	210	274.5	6.1
E2-203						6.1						6.2
E2-401						5.7						5.8
E2-402						5.9						6.0
E2-403						6.0						6.1

Peripherals

Braking Resistor

Inverter Model	Resistor Model	Specification		
		W	Ω	% ED
E2F-202	BRN2-202	150	100	10
E2F-203	BRN2-203	200	70	9
E2F-401	BRN2-401	60	750	8
E2F-402	BRN2-402	150	400	10
E2F-403	BRN2-403	200	250	8

DIN RAIL KIT:DINE2-20 (for all IP20 models)

REMOTE CONTROL SPEED POT: REM-POT-MINI



Northern Court, Vernon Road, Basford, Nottingham NG6 0BJ
 Tel: +44 (0)115 975 3655 Fax: +44 (0)115 9770 366
 sales @ net-eng.co.uk www.net-eng.co.uk