



ENGLISH

Spare parts

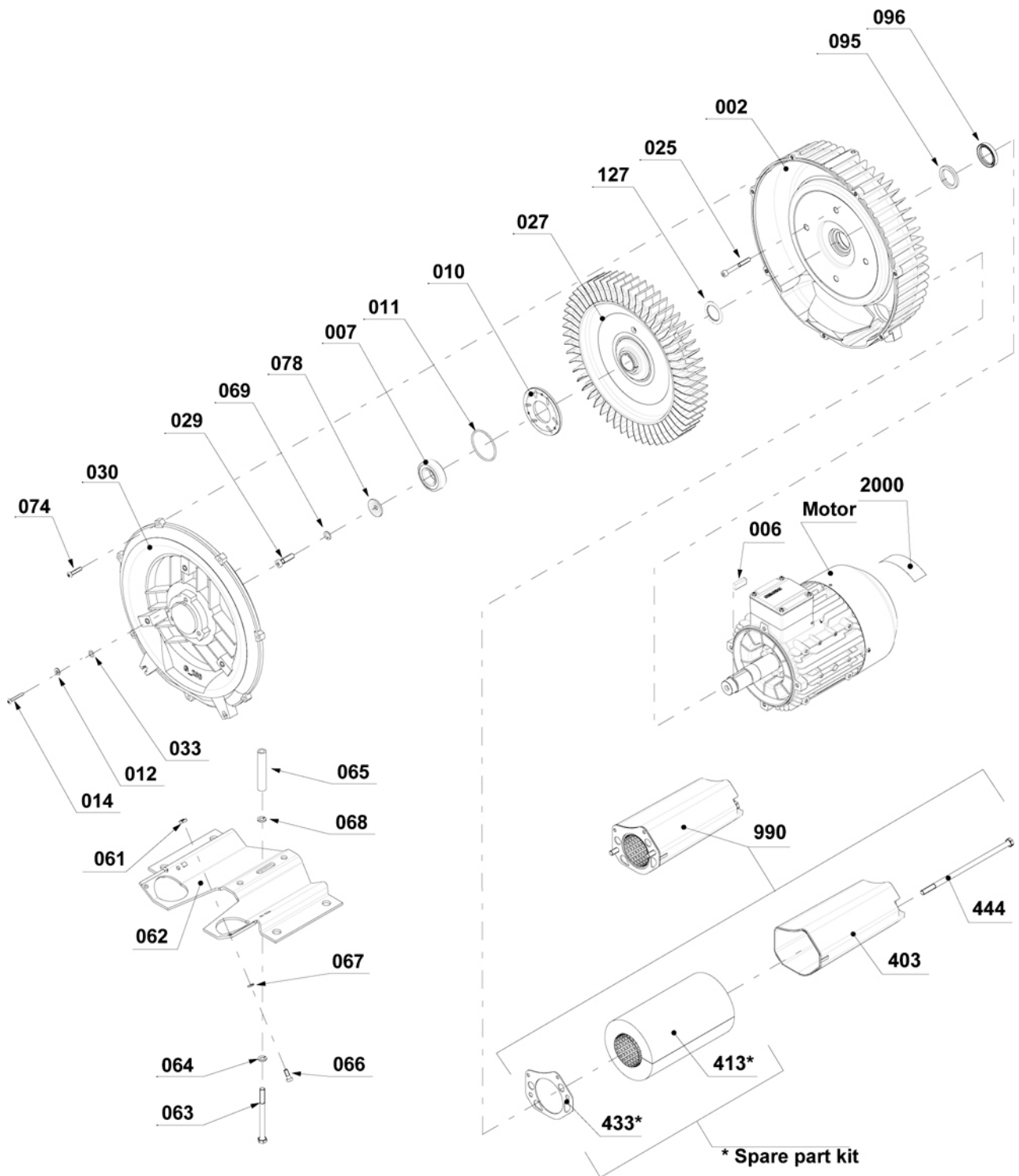
available from the factory

No.	Description	No.	Description
001	Motor housing, complete	095	Felt ring
002	Blower housing	096	Rotary shaft lip type seal
005	Motor rotor	098	Screw
006	Parallel key	127	Washer
007	Deep-groove ball bearing	130	Filler
008	Deep-groove ball bearing	134	Sleeve
010	Bearing cover, complete	403	Silencer housing
011	O-ring	409	Nut
012	Washer	410	O-ring
014	Screw	413	Silencer inlet
025	Screw	433	Gasket
027	Impeller	444	Screw
029	Screw	450	End shield
030	Blower cover	451	Screw
033	O-ring	452	Rotary shaft lip type seal
034	Flange	455	Spring strap
035	Flange	459	Nut
042	Terminal box, complete	467	Spring lock washer
053	Screw	500	Fan cowl
054	Gasket	501	External fan
055	Gasket	503	Screw
059	Screw	505	Parallel key
061	Square nut	506	Retaining ring
062	Base	600	Frequency inverter complete
063	Screw	640	Terminal box upper part
064	Spring lock washer	650	Terminal box board, complete
065	Sleeve	670	Capacitor, complete
066	Screw	682	Screw
067	Spring lock washer	698	Module plate
068	Washer	990	Silencer complete
069	Spring lock washer	2000	Rating plate
072	Centre section	KIT	Spare part kit
074	Screw	UmrKIT	Spare part kit frequency inverter
078	Washer	Kabel	Spare part kit cables
087	Blower cowl	KIT	Spare part kit cables

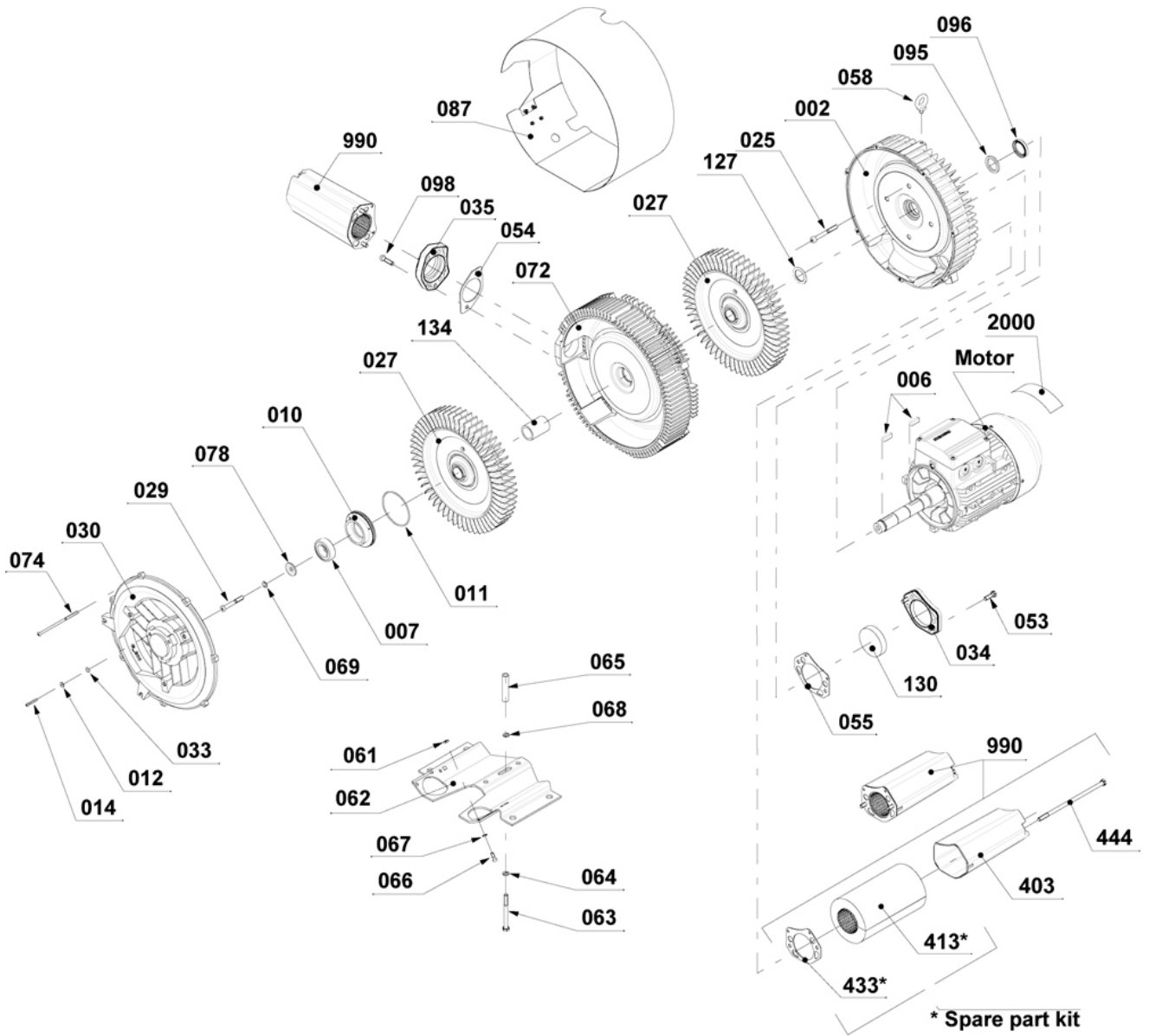
NOTTINGHAM ELECTRICAL TRANSMISSIONS
 Northern Court, Vernon Road, Basford, Nottingham. NG6 0BJ
 Tel: (0115) 9753655 or 9753635
 Fax: (0115) 9770366
 Email: sales@net-eng.co.uk
www.net-eng.co.uk

“Our Experience Is Your Guarantee”

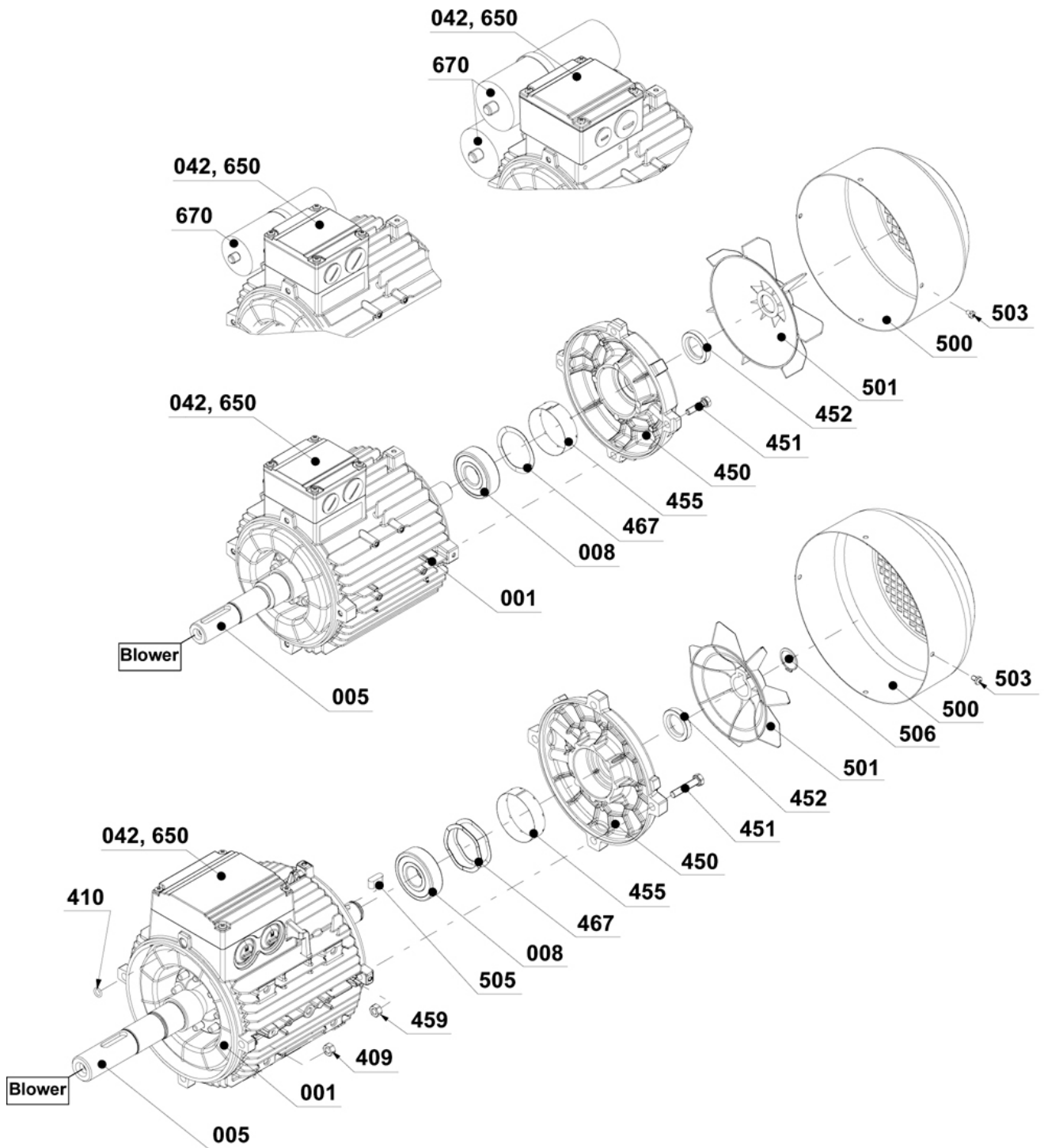
Single Stage



Two Stage



Motor - Single Stage



Motor - Two Stage

