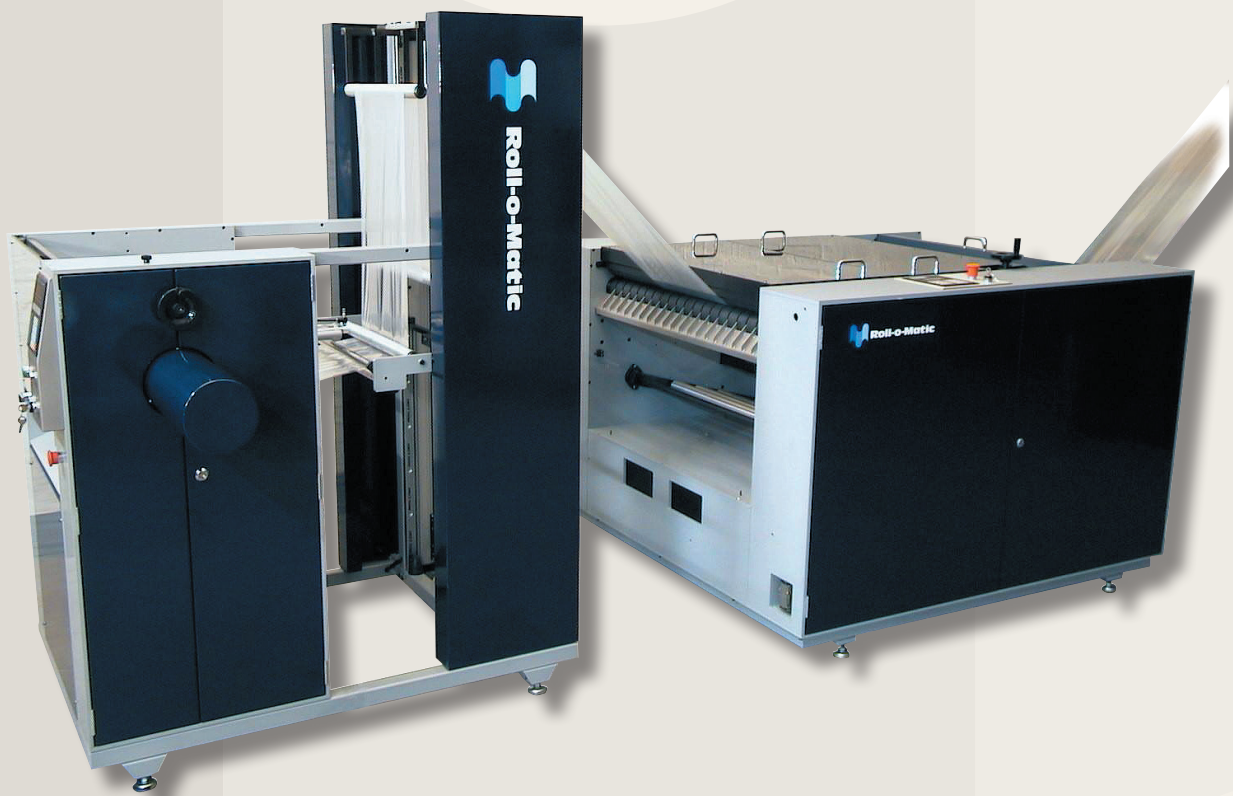


COMPACT / COMPACT *max*TM

NEXT GENERATION OF BAG CONVERTING EQUIPMENT



COST-EFFICIENT, HIGH-PERFORMANCE BAG MACHINE FOR MEDIUM
AND HEAVY-GAUGE FILM. PRODUCTION OF BOTTOM SEALED/STAR SEALED
BAGS IN 1 OR 2 LANES, EITHER IN-LINE OR OUT-OF-LINE



Roll-o-Matic

- number one in roll-bag solutions

EXPERIENCE · INNOVATION · SOLUTIONS

COMPACT

The COMPACT is mainly targeted at medium capacities and is the perfect choice for in-line applications where the extruder is the bottleneck and for shorter length refuse and produce bags.

COMPACT is the right choice for straight-forward production of roll-bags and where space and personnel are limited. Possibility to install secure remote access via Internet.

Automated down stream roll handling/packing can also be integrated.

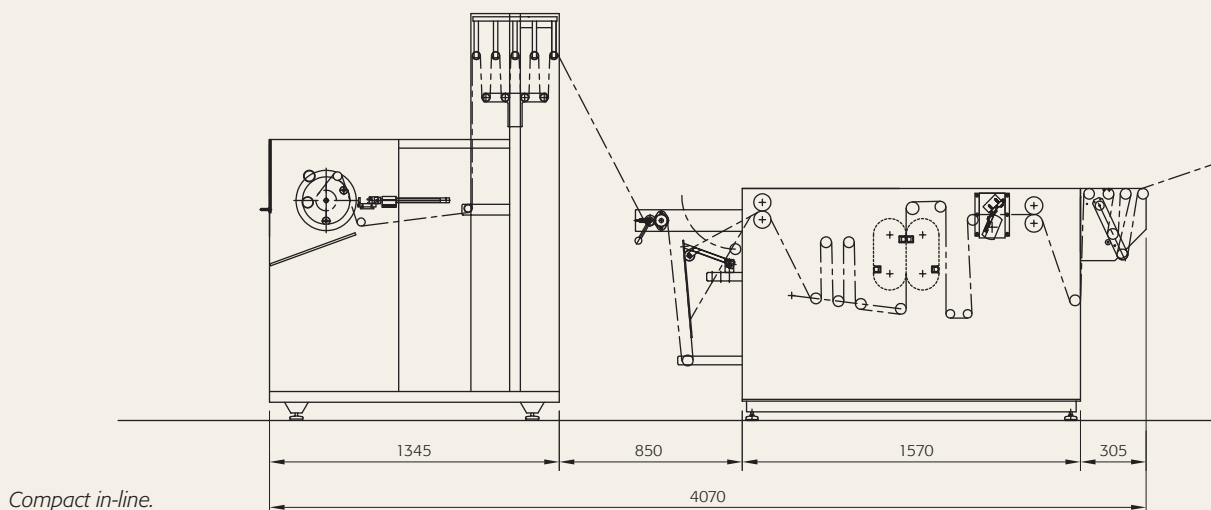
Technical data

Max. sealing width	860 mm (33.9 inch)	Max. distance between seals	1800 mm* (70.9 inch*)	Max. speed	90 m/min (300 feet/min)
Min. distance between seals	300 mm (11.8 inch)	Max. cycles/min	250		

* Can be increased.

Additional equipment: Print registration, all types of folding equipment (before and after sealing), cored rolls, hot-melt, twist-tie, PP-string, tape and labelling.

Dimensional drawing



The following features ensure that the COMPACT-series can make top quality bags at high capacity.

The module is equipped with two sets of nip rollers assuring a well-controlled low web tension during the entire sealing and cooling process for optimum sealing quality.

Film runs continuously through the module without stopping and the servo driven sealing bars follow the film over a certain

distance. The sealing is performed with heat from both sides of the film ensuring the optimal sealing in thick materials.

A rotating perforation knife driven by the same servo system as the sealing bars guarantees minimum skirt variation.

COMPACT *max*TM

The COMPACT *max*TM is an excellent choice for medium and heavy gauge films where extra high outputs are required. The COMPACT *max*TM has a sealing section more than twice the length of the COMPACT, which means even better performance on heavier gauge films, giving

the best price/performance ratio available in today's market.

The COMPACT *max*TM is the right choice for an easy production of roll-bags and where space and personnel are limited. Possibility to install secure remote access via Internet.

Automated down stream roll handling/packing can also be integrated.

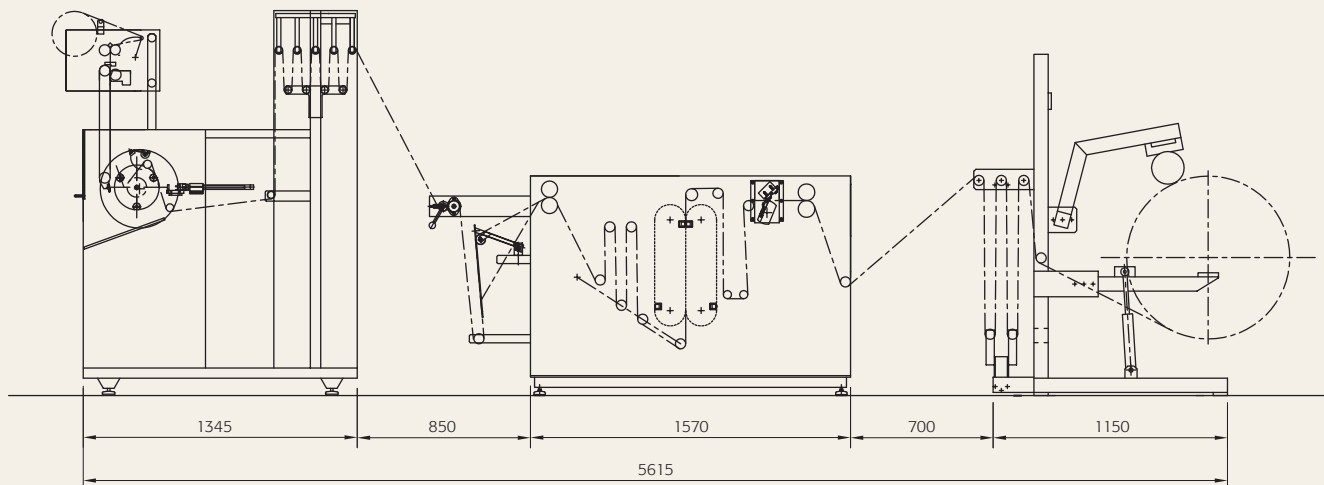
Technical data

Max. sealing width 860 mm (33.9 inch)	Max. distance between seals 1800 mm* (70.9 inch*)	Max. speed 90 m/min (300 feet/min)
Min. distance between seals 550 mm (21.7 inch)	Max. cycles/min 150	

* Can be increased.

Additional equipment: Print registration, all types of folding equipment (before and after sealing), cored rolls, hot-melt, twist-tie, PP-string, tape and labelling.

Dimensional drawing



The COMPACT *max*TM is designed with the same principle as the well-known and well-regarded COMPACT, which ensures top quality bags at high capacity.

The module is equipped with two sets of nip rollers assuring a well-controlled low web tension during the entire sealing and cooling process for optimum sealing quality.

Film runs continuously through the module without stopping and the servo driven sealing bars follow the film over a certain

distance. The sealing is performed with heat from both sides of the film ensuring the optimal sealing in thick materials.

A rotating perforation knife driven by the same servo system as the sealing bars guarantees minimum skirt variation.

COMPACT-SERIES

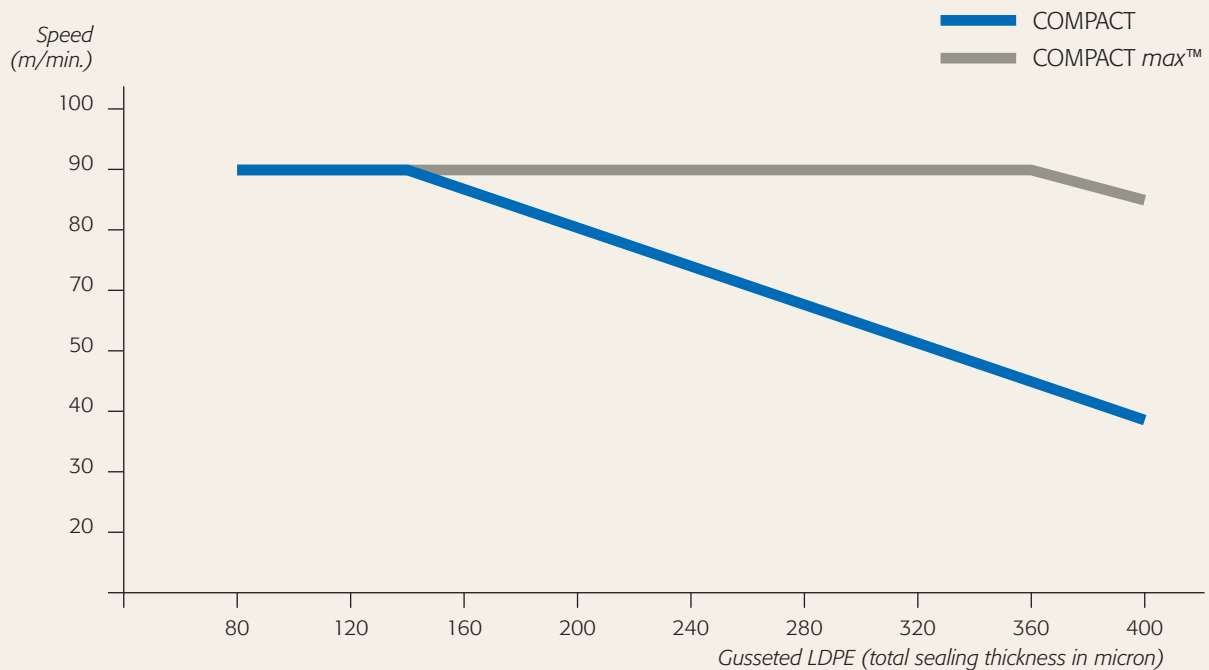
The Roll-o-Matic COMPACT-series is the low investment solution for medium and high gauge film. The COMPACT sealing concept combines sealing pressure, sealing temperature and sealing time in an optimal way for medium and heavy gauge film.

Depending on bag width and capacity demands, the COMPACT can be supplied for 1 or 2-lane operation and with a 2-lane winder with individual tension control on each lane.

Between the 2 types of COMPACT it is possible to find the best suitable solution for your capacity requirements.

The COMPACT is designed with a shorter sealing length than the COMPACT *max*[™], which means that it can make shorter bags and is ideal for in-line applications where the extruder is the capacity bottleneck. For off-line applications, COMPACT *max*[™] will offer very high outputs and an excellent price/performance ratio for medium and heavy gauge films.

Capacity overview, 4 layer LDPE COMPACT versus COMPACT *max*[™]



We always focus on your production demands - therefore all Roll-o-Matic developments are **customer-driven** and **customer-oriented**. Compact has been developed according to our customers' requirements for user-friendly and easy to operate high capacity line, where the key parameters are:

**Flexibility, Stability
and Outstanding
Performance**

We constantly develop our solutions in order to offer you the best state-of-the-art converting equipment. If you are interested in an intelligent converting solution we are always ready to offer you unique custom-made equipment for a stable and effective production. Please, do not hesitate to contact us!



 **Roll-o-Matic**
- number one in roll-bag solutions

Roll-o-Matic A/S

Petersmindevej 23 · 5000 Odense C · Denmark · Phone +45 6611 1618 · Fax +45 6614 3278
rom@roll-o-matic.com · www.roll-o-matic.com

WE ARE ALSO SPECIALISTS IN CUSTOMIZED SOLUTIONS