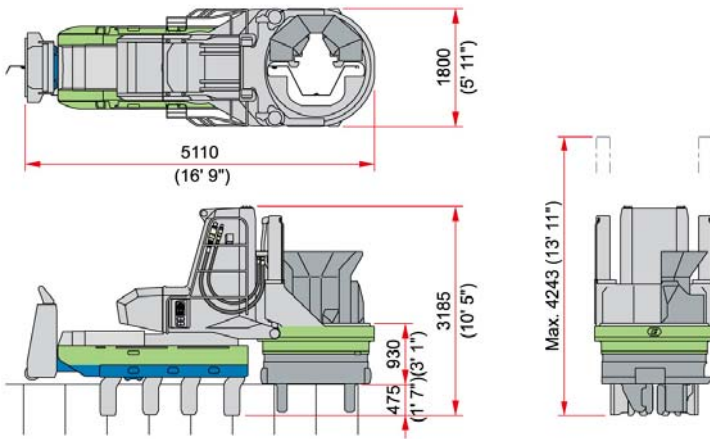
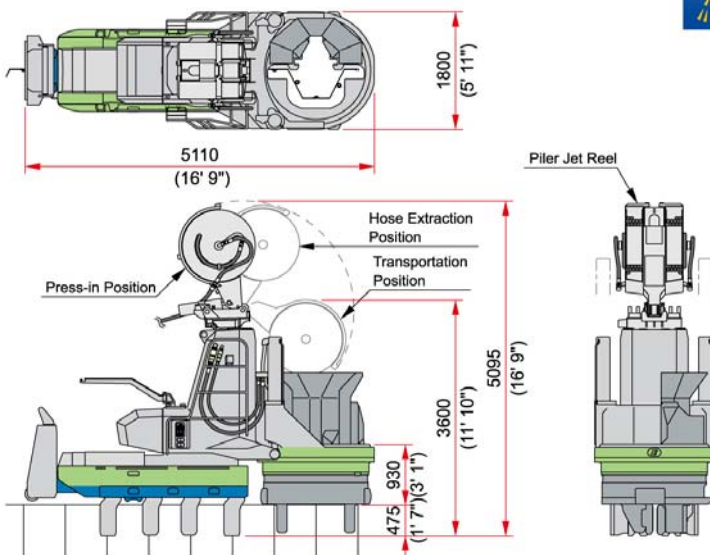


# Super Crush SCZ-675WM

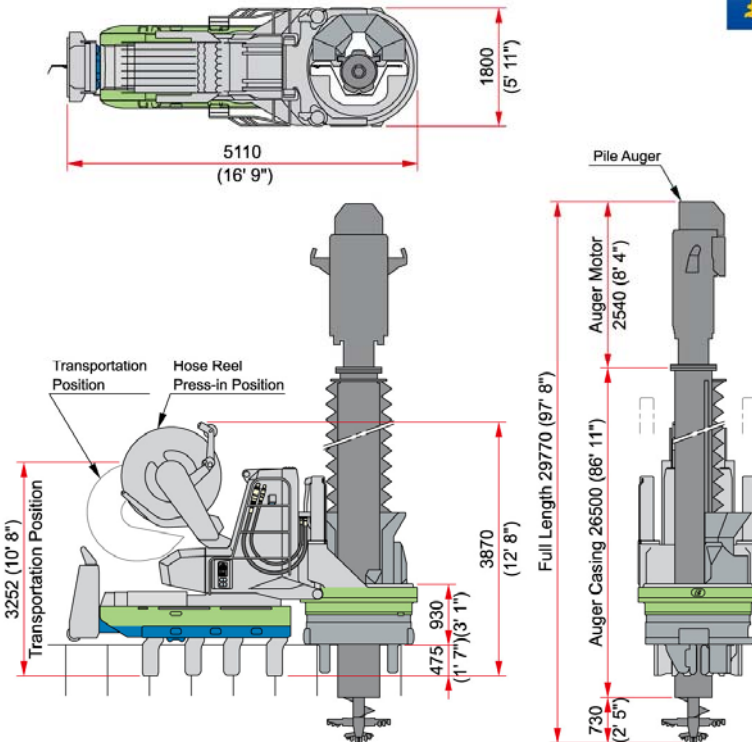
Standard Press-in Mode



## Water Jetting Mode



## Super Crush Mode



SCZ-675WM	Metric Unit	US Standard
Applicable Piles *	575 - 675 mm	22.64 - 26.57 in
Max. Press-in Force	Standard Mode	1 500 kN (153 tf) / 169 tonf (US)
	Super Crush Mode	1 200 kN (122 tf) / 135 tonf (US)
Max. Extraction Force	1 600 kN (163 tf)	180 tonf (US)
Stroke	1 200 mm	47.2 in
Pressing-in Speed	Standard Mode	2.1 - 23.2 m/min / 6.9 - 76.1 ft/min
	Super Crush Mode	0.5 - 3.1 m/min / 1.6 - 10.2 ft/min
Drawing-out Speed	Standard Mode	1.7 - 18.9 m/min / 5.6 - 62.0 ft/min
	Super Crush Mode	0.7 - 3.0 m/min / 2.3 - 9.8 ft/min
Power Unit Type	EU300C2 Crawler Unit	
Weight	22 800 kg	50 300 lb

Piler Jet Reel		Metric Unit	US Standard
Weight	Piler Jet Reel	1 350 kg	3000 lb
	Bracket	280 kg	600 lb

Pile Auger	Metric Unit	US Standard
Applicable Pile Length	Max. 21 m	Max. 69 ft
Max. Auger Torque	100 kN·m	73 800 ft-lbs
Max. Rotation Speed	22 min <sup>-1</sup>	22 rpm
Weight	18 400 kg	40 600 lb

Hose Reel	Metric Unit	US Standard
Hose Length	30 m (Max. 40 m)	98.4 ft (Max. 131 ft)
Hose Reel Rewind	Max. 5.5 kN	Max. 0.6 tonf (US)
Weight	2 700 kg	6 000 lb

Total Machine Weight	Metric Unit	US Standard
Standard Press-in Mode	22 800 kg	50 300 lb
Water Jetting Mode	24 430 kg	53 900 lb
Super Crush Mode	43 900 kg	96 800 lb