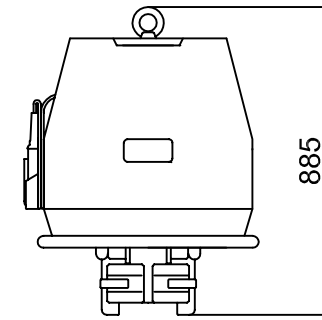
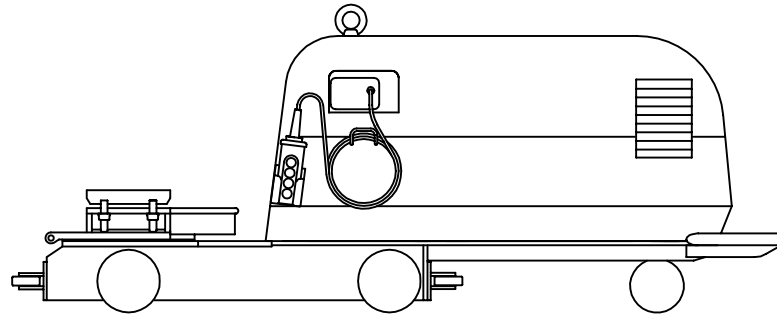
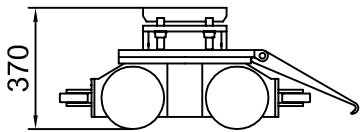
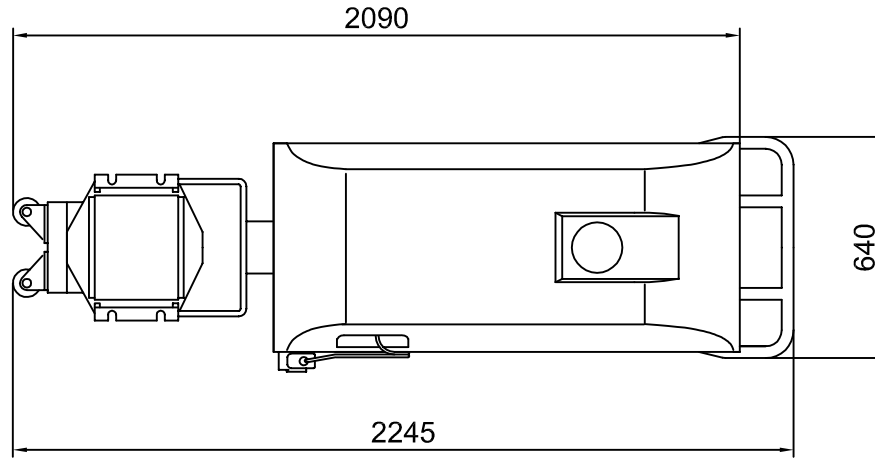
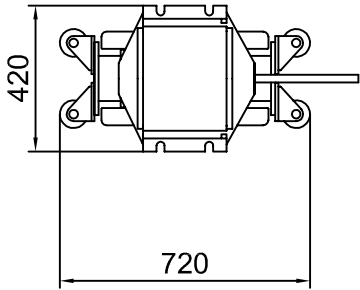


Pile Runner TB3



Specification			
Rated Output		5.2kW (7PS)	
Moving Speed			
Loaded forward and backward movement	Max.	30 m/min	
	Min	15 m/min	
Fuel Tank		6 L (Petrol)	
Weight	Engine Unit	465 kg	
	Bogie	120 kg	
Load Capacity		5 ton	
Transporting Pile Range		400, 500 & 600mm wide U sheet pile	