

Ambi-Stat

Ambi-Stat panels are designed to provide simple low cost control and simplified on site wiring for the Ambi-Rad range of warm air heaters.

Controls are housed within an epoxy powder coated steel enclosure with a hinged front facia to allow easy access for wiring and commissioning.



Features

Three versions are available:-

- AS1 Panels are for controlling a single heater as a separate temperature zone.
- AS2 Panels are for controlling two heaters as a single temperature zone.
- AS4 Panels are for controlling up to four heaters as a single temperature zone.

Each panel contains:-

Digital seven day clock with one minute switching accuracy and manual override facility.

Day thermostat (0-30°C).

Night temperature (0-30°C).

Time controlled constant fan facility.

Three position switch for :-

- 'Heat' Automatic time and temperature control.
- 'Vent' Summer fan only operation for air movement.
- 'Off' Night setback temperature only for Winter holiday periods.

In addition the panels have a remote lockout reset switch complete with an indicator light for each heater fitted with auto spark ignition.

Ambi-Stat panels must be sited within the heated area to give representative temperature measurement.

Ambi-Tec

The Ambi-Tec range of panels are sophisticated microprocessor based energy controllers designed for highly accurate time and temperature switching to give optimum fuel economy. Two models are available:

1. The Ambi-Tec controller is designed for single heater applications having ON/OFF control. Temperature control is carried out by a remote single sensor, mounted in its own ventilated enclosure which can be sited up to 200 metres from the panel.

Separate Daytime and Nighttime setback temperature set points are adjustable between 0-25°C. A built in automatic frost protection overrides these settings if the space temperature falls below 3°C.

In addition to controlling the heating, the Ambi-Tec can also be used to control ventilation, either temperature controlled or continuous. In Auto mode, as the space temperature increases past the heating set point, a switching facility is

automatically available to operate the heater fan only. A dead band of between 2-9°C may be set between heating and ventilating operation.

2. Ambi-Tec Plus has the additional benefits of Hi/Low or modulating control using either the standard room sensor or an optional duct sensor.

The controller can be set up for either a single or multiple heater installation using Master and Slave function linked via data cable to provide cost effective centralised energy management.

In addition, the Ambi-Tec Plus can be used to control ventilation or cooling, providing complete control for each area from a single sensor. In Auto mode, as the space temperature increases past the heating set point, a switching facility is automatically available to operate the heater fan only, fresh air dampers if fitted, or an external source of ventilation or cooling. A dead band of between 2-9°C may be set between heating and ventilating operation with a further stage of independent ventilation or cooling if the temperature rises by another 2°C. Daytime and Night setback temperature set points are adjustable between 0-50°C.



Features

- Microprocessor energy management.
- Single heater applications.
- Heat, Vent, Auto and Off operating modes.
- On/Off burner control.
- Summer ventilation either temperature controlled or continuous.
- Self adjusting optimised start
- Tamperproof - password protection.
- Digital time control with one minute switching accuracy.
- Up to 4 On and 4 OFF settings per day.
- Overtime facility.
- Clock and programme lithium battery backup.
- Adjustable Day and Night temperature set point (0-25°C).
- Night set back or frost protection.
- Lockout indication with remote reset.
- 'Power ON', 'Frost Protection' and 'Burner Lockout' indicator lights.

Additional features – Ambi-Tec Plus

- Single or multiple heater installation.
- On/Off, High/Low or Modulating control.
- Two stage or Modulating ventilation or cooling.
- Time controlled Constant fan facility.
- Adjustable timed overtime facility.
- Password protection on three levels.
- Adjustable Day and Night temperature set points (0-50°C).
- Master lockout reset (multiple heater installations)
- Holiday frost protection cover.

These panels require a 230 volt, single phase supply via a suitable isolator and must be wired so that the control feed from the panel is isolated by the heater isolator. Panels should be wired so they only switch the operation of the fan and associated safety features of the heaters.

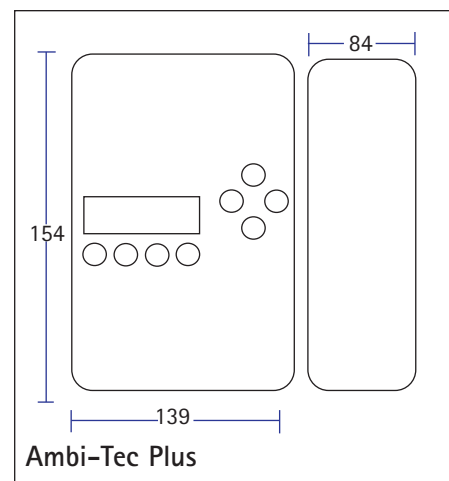
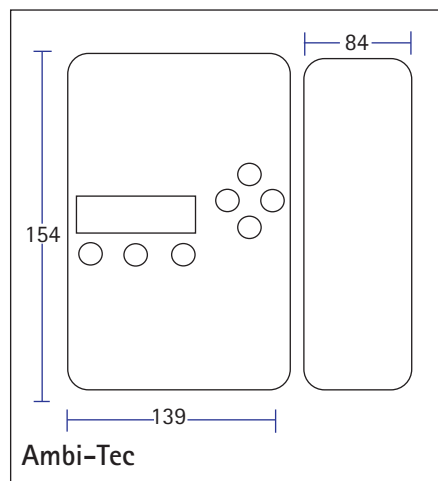
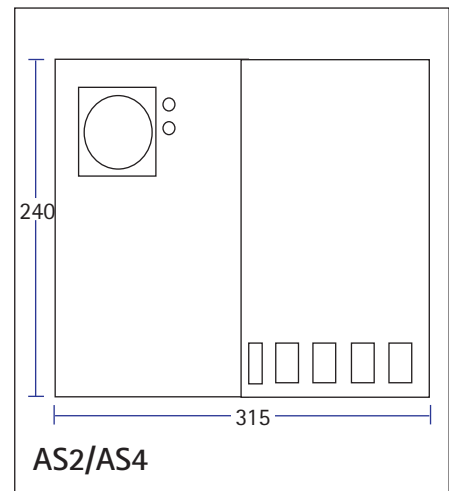
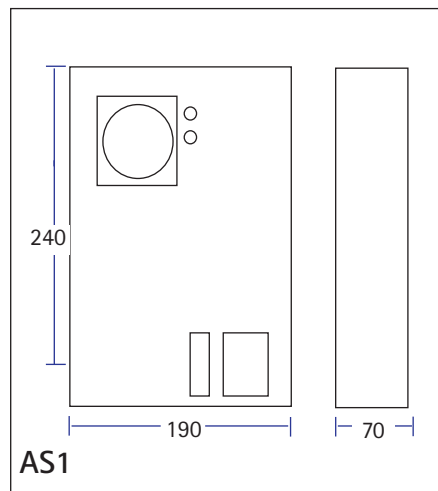
Ambi-Tec panels can be sited up to 200 metres away from the temperature sensor.

Sensor wiring and Data cables (Master & Slave only) must not be installed in conduit containing mains voltage cables.

Panels must be installed in accordance with the installation instruction provided with the controller and current I.E.E regulations.

A manual is supplied with each panel detailing basic wiring instructions and programming procedures.

Dimensions



Ambi-Rad Limited Fens Pool Avenue
Brierley Hill West Midlands
DY5 1QA United Kingdom
Telephone 01384 489700
Fax 01384 489707
UK sales e-mail:sales@ambirad.co.uk
Website: www.ambirad.co.uk

AMBIRAD is the registered trademark of Ambi-Rad Limited.

Due to continuous product innovation, Ambi-Rad reserves the right to change product specification without due notice.

AMBIRAD
ENERGY EFFICIENT HEATING SYSTEMS

Document reference number : GB/WA/012/0202