

A reliable barrier is indispensable for the professional and progressive appearance of a toll facility. Modern barriers require innovative and future-oriented engineering as well as environmentally compatible and energy-saving technology. Magnetic.Toll barriers meet these requirements completely: While the **MHTM™** MicroDrive and the **MGC** MicroDrive and the **MGC** control secure decisive advantages for you and optimise the benefit of your toll facility, the housing and the **SwingAway** boom do not leave anything to be desired.

- **75 % less power consumption**
- **MHTM™ drive free of maintenance**
- **80 % more connectivity (I/O, TCP/IP, USB, CAN, etc.)**
- **Future-oriented, modular design**



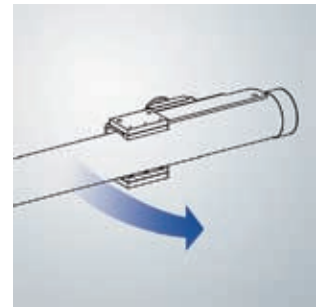
Drive
The **MHTM™** MicroDrive is not only astonishing because of its small dimensions. You get 100 % more torque at a power input reduced by 75 %. Motor, motor control and gearing are combined in one compact unit.



Control
The **MGC** control is located directly under the hood and offers extensive opportunities for expansion via optional plug-in modules. The barrier is operated via GUI-supported control keys and a large display.



Housing
The housing of aluminium and the base of stainless steel offers the best available protection against corrosion. In addition, the design is convincing and can easily be customised.



SwingAway boom
The **SwingAway** barrier boom prevents unnecessary damage to vehicles and the barrier in case of an unpermitted or forced passage.

Magnetic.Toll

| Technical data | Magnetic.Toll | Magnetic.Toll Pro | Magnetic.Toll Highspeed |
|----------------------------------|---|-------------------|-------------------------|
| Barrier width max. | 3 m | 3 m | 3 m |
| Opening/closing time | 1.3 s | 0.9 s | 0.5 s |
| Power consumption max. | 110 W | 220 W | 400 W |
| On-time | 100 % | | |
| Supply voltage | Wide voltage range 85 V – 264 V | | |
| Frequency | 50/60 Hz | | |
| Drive | MHTM™ MicroDrive | | |
| Housing dimensions (WxDxH) | Starting 300 mm x 345 mm x 1100 mm | | |
| Weight without boom | 44 kg | | |
| Housing designs | Chromatised and powder-coated aluminium | | |
| Base area | Powder-coated stainless steel | | |
| Ingress protection | IP 54 | | |
| In line with standards | 2004/108/EC, 2006/95/EC, 2006/42/EC, CE | | |
| Temperature range | -30° C to +50° C | | |
| Feature | | | |
| Standard colours | RAL 2000 | RAL 2000 | RAL 2000 |
| Special painting | ○ | ○ | ○ |
| Control | MGC | MGC | MGC |
| SwingAway system | ● | ● | ● |
| Boom (round, 75 mm) | ● | ● | ● |
| Boom (octagon, 100 x 55 mm) | ○ | ○ (max. 2.5 m) | ○ (max. 2.5 m) |
| Modular expandable control | ○ | ○ | ○ |
| Number of digital inputs | 8 | 8 | 8 |
| Number of digital outputs | 4 | 4 | 4 |
| Number of relay outputs | 6 | 6 | 6 |
| Reduced closing speed selectable | ● | ● | ● |
| Extended accessories | ○ | ○ | ○ |
| Specified number of cycles | 10 million | 10 million | 10 million |
| Warranty | 2 years | 2 years | 2 years |

- Standard
- Optionally available
- Not available for this model

Magnetic Autocontrol Group
Headquarter
 Phone: +49 76 22 / 695-5
 marketing@ac-magnetic.com

Magnetic Autocontrol GmbH
Germany
 Phone: +49 76 22 / 695-5
 sales@de.ac-magnetic.com

Magnetic Automation Corp.
USA
 Phone: +1 32 16 35 85 85
 sales@usa.ac-magnetic.com

Magnetic Control Systems Co. Ltd.
China
 Phone: +86 21 58 34 17 17
 sales@china.ac-magnetic.com

Magnetic Automation Pty. Ltd.
Australia
 Phone: +61 393 39 29 00
 sales@australia.ac-magnetic.com

Magnetic Control Systems
Malaysia
 Phone: +60 3 5123 0033
 sales@malaysia.ac-magnetic.com

Magnetic Autocontrol Pvt. Ltd.
India
 Phone: +91 44 42 111 222
 sales@india.ac-magnetic.com

Magnetic Autocontrol Ltda.
Brazil
 Phone: +55 11 56 60 85 00
 sales@brazil.ac-magnetic.com



Electro Mechanical Systems Ltd
 Eros Hose
 Calleva Park
 Aldermaston
 Reading RG7 8LN
 0118 981 7391
 info@ems-ltd.com
 www.ems-access.co.uk