

Product Information

2/2 way direct acting solenoid valve NC DN 3, 4, 5 - media separated, duty cycle 50 %



A.u.K. Müller

Solenoid valves
Control valves
Special valves and systems

A.u.K. Müller GmbH & Co. KG
Dresdener Str. 162
D-40595 Düsseldorf/Germany

Tel.: +49 211 7391-0
Fax: +49 211 7391-281

e-mail: info@akmueller.de
Internet: www.akmueller.de

series 43.00x.102



Characteristics

- direct acting
- plunger separated by membrane from medium
- compact design
- long term performance capability
- suitable for food and hot water appliances
- works from zero pressure
- similar hydraulic performance for AC or DC types
- DC version with low noise and low wear out due to internal plunger attenuation
- easy to assemble and service
- coil change without opening of medium circuit, coil can be mounted 4 x 90°
- high operating safety through the use of high quality and 100% final testing of the product

Applications

- hot / cold drink dispensers
- medical equipment
- automatic welding equipment

Description

2/2-way solenoid valve of different nominal diameters for use with neutral gases and liquids. This valve is direct controlled and normally closed (NC).

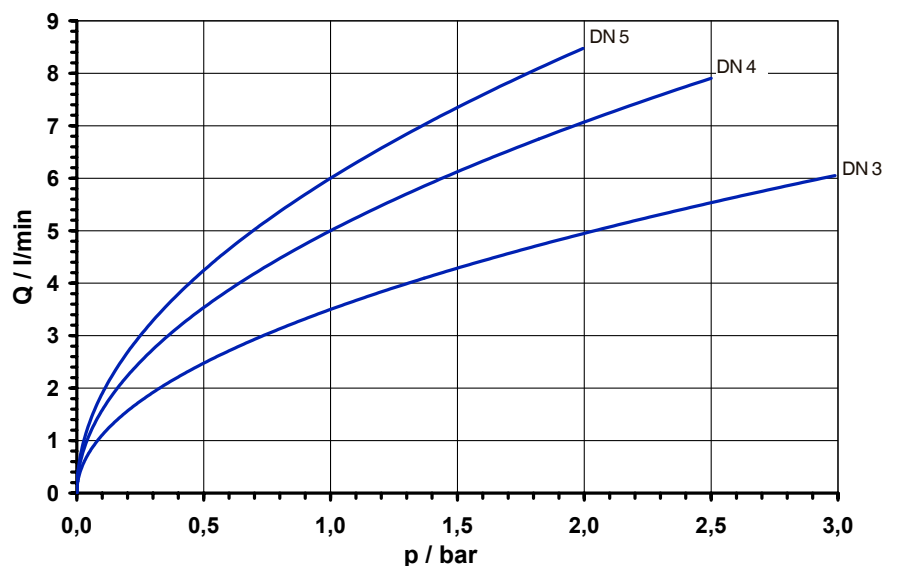
Valves of this design are single chamber straight through valves, with nozzles at outlet and inlet. The plunger is separated by a diaphragm from the medium and protected by its influence.

The valve body is made of PEI, which is suitable for hot water applications.

This valve is designed for intermittent operation (duty cycle 50%).

Electrical operating safety is achieved by using high quality materials of insulation class F and can be supported by an additional protection circuit.

typical performance curve (fluids)

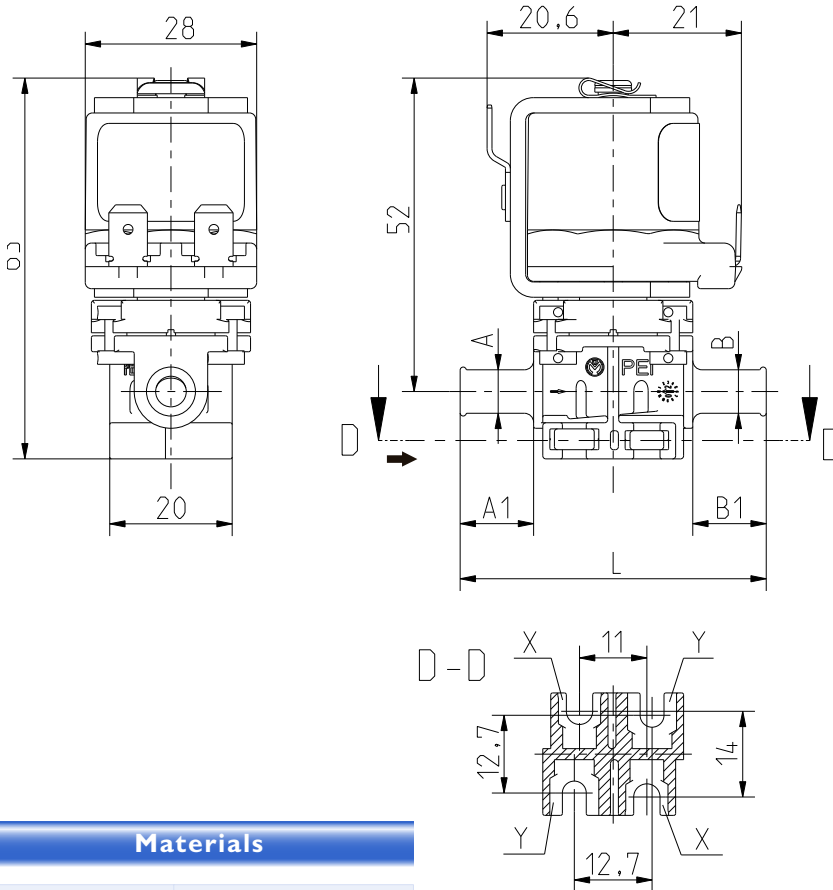


2/2 way direct acting solenoid valve NC DN 3, 4, 5 - media separated, duty cycle 50 %



A.u.K. Müller

series 43.00x.102



slot for nut
X = M4 DIN EN ISO 4032
Y = N 6-32 UNC ANSI B1.1

Materials

Valve body	PEI other materials on request
Plunger guide	stainless steel
Plunger	stainless steel
Membrane	EPDM FPM (on request) VMQ (on request)
Coil coating	PBT, PET or epoxy resin

Technical Data

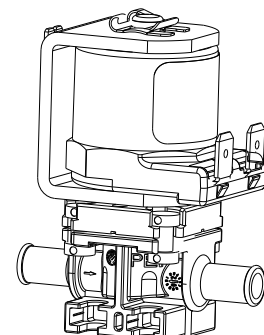
Type	solenoid valve	
Construction	2/2-way single chamber straight valve, direct acting	
Function	NC (normally closed)	
Fitting position	any	
Media	neutral gases, cold and heated potable water and physically and chemically similar media	
T-Medium for connections nozzle	98	°C max.
John Guest	65	°C max. on request
T-Ambient for connections nozzle	70	°C max.
John Guest	65	°C max. on request

DN	Cv- value	p-Operating	
		bar in flow direction	bar against flow direction
mm	l/min		
3	3,5	0 - 3,0	0 - 2,6
4	5,0	0 - 2,5	0 - 1,8
5	6,0	0 - 2,0	0 - 1,0

Coil type	MS.026		
Nominal voltages	12	V DC	
	24	V DC	
	24	V AC	50/60 Hz
	110	V AC	50/60 Hz
	230	V AC	50/60 Hz
	other voltages on request		
Voltage tolerance	+10% -15%		
Duty cycle	50%		
Nominal power	10 W	15 VA (AC)	
Protection Type	IP 00		
Coil connections	flat tabs 6,3 x 0,8 mm		
Insulation class	F	according to EN 60730	
Protection class	I	according to EN 60730 (for incorporation in class I)	

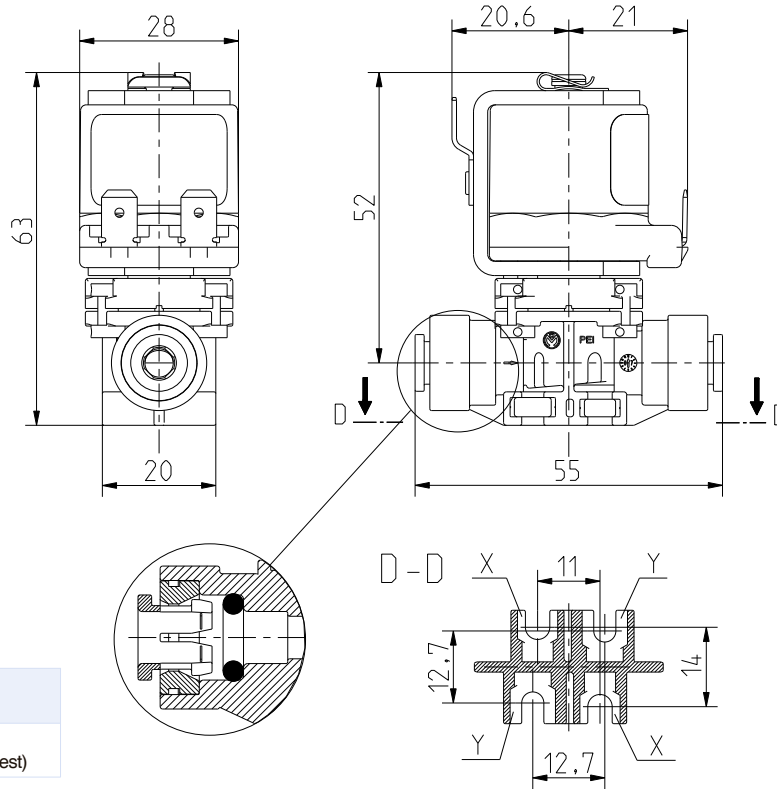
Options

	Inlet		Outlet		L
	Ø	A1	Ø	B1	
nozzle	7	12	7	12	50



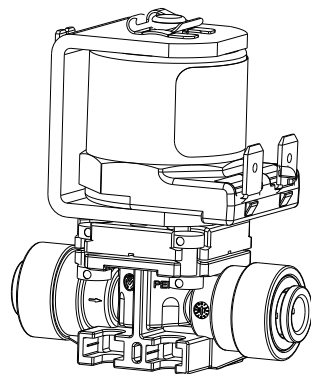


series 43.00x.102



John Guest cartridge	POM
o-ring	EPDM NBR (on request)

slot for nut
 X = M4 DIN EN ISO 4032
 Y = N 6-32 UNC ANSI B1.1



The applicability of the John Guest connection to medium- or ambient temperatures higher than 65°C is temporarily feasible, but has to be verified accordingly in the respective application.

Options

	Inlet	Outlet	Length	
	Ø	Ø		
John Guest cartridge	6	6	55	on request
John Guest cartridge	8	8	55	on request
John Guest cartridge	1/4"	1/4"	55	on request
John Guest cartridge	5/16"	5/16"	55	on request