

Product Information

2/2 way direct acting solenoid valve NC
DN 3, 4, 5 - media separated, PTFE bellow
duty cycle 100 %



A.u.K. Müller

Solenoid valves
 Control valves
 Special valves and systems

A.u.K. Müller GmbH & Co. KG
 Dresdener Str. 162
 D-40595 Düsseldorf/Germany

Tel.: +49(0)211-7391-0
 Fax: +49(0)211-7391-281

e-mail: info@akmueller.de
<http://www.akmueller.de>

series 43.00x.122



Characteristics

- direct controlled
- plunger separated from medium by PTFE bellows
- compact design
- long term performance capability
- suitable for food and hot water appliances
- works from zero pressure
- similar hydraulic performance for AC or DC types
- DC version with low noise and low wear out due to internal plunger attenuation
- easy to assemble and service
- coil change without opening of medium circuit, coil can be mounted 4 x 90°
- high operating safety through the use of high quality and 100% final testing of the product

Applications

- hot / cold drink dispensers
- medical equipment
- welding equipment

Description

2/2-way solenoid valve of different nominal diameters for use with neutral gases and liquids. This valve is direct controlled and normally closed (NC).

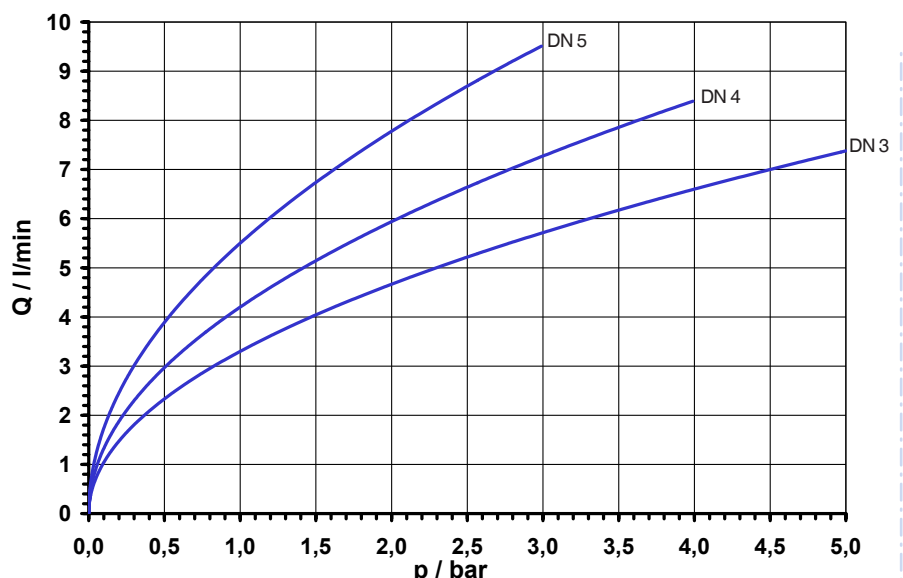
Valves of this design are single chamber straight through valves, with nozzles at outlet and inlet. The plunger is separated from the medium by PTFE bellows, which not only protects the plunger but also enables short switching cycles for longer periods.

The valve body is made of PEI, which is suitable for hot water applications.

This valve is designed for continuous operation (duty cycle 100%).

Electrical operating safety is achieved by using high quality materials of insulation class F and can be supported by an additional protection circuit.

typical performance curve (fluids)

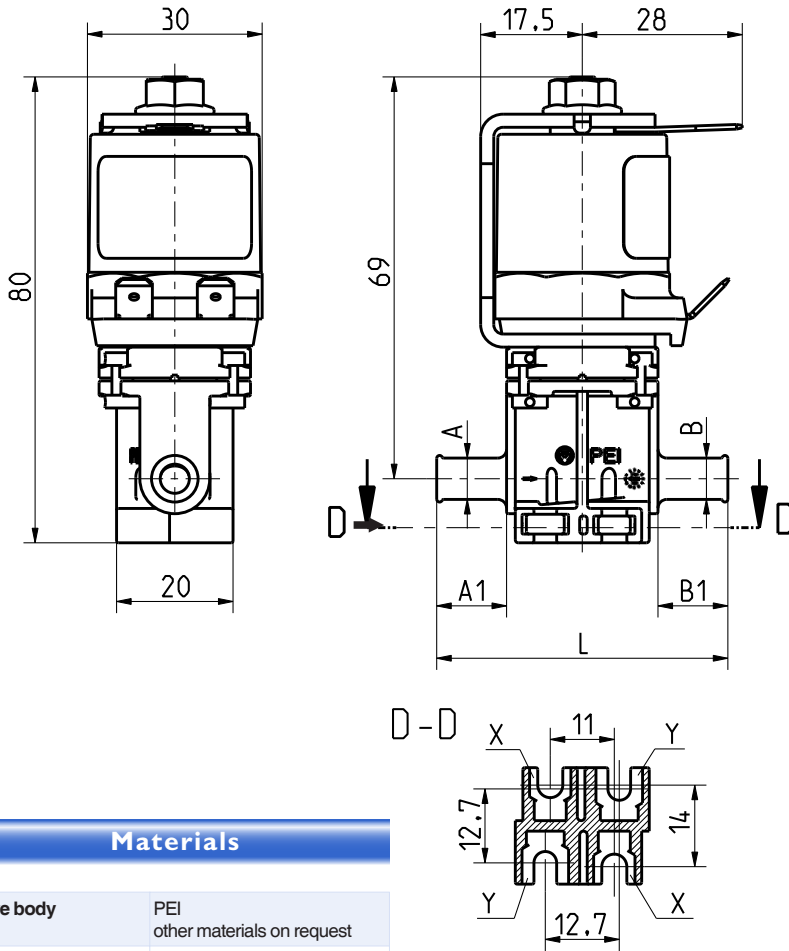


2/2 way direct acting solenoid valve NC DN 3, 4, 5 - media separated, PTFE bellow duty cycle 100 %



A.u.K. Müller

series 43.00x.122



slot for nut
X = M4 DIN EN ISO 4032
Y = N 6-32 UNC ANSI B1.1

Materials

Valve body	PEI other materials on request
Plunger guide	stainless steel
Plunger	stainless steel
Bellow	PTFE
Sealing	EPDM VMQ (on request) FMQ (on request)
Coil coating	PBT, PET or epoxy resin

Technical Data

Type	solenoid valve	
Construction	2/2-way single chamber straight valve, direct acting	
Function	NC (normally closed)	
Fitting position	any	
Media	neutral gases, cold and heated potable water and physically and chemically similar media	
T-Medium	98	°C max.
T-Ambient	70	°C max.

DN	Cv-value	p-Operating	
		in flow direction	against flow direction
mm	l/min	bar	bar
3	3,3	0 - 5,0	0 - 2,0
4	4,2	0 - 4,0	0 - 1,2
5	5,5	0 - 3,0	0 - 0,4

Coil type	MS.006		
Nominal voltages	12	V DC	
	24	V DC	
	24	V AC	50/60 Hz
	110	V AC	50/60 Hz
	230	V AC	50/60 Hz
other voltages on request			

Voltage tolerance	+10% -15%		
Duty cycle	100%		
Nominal power	10,2 W	18VA (AC)	
Protection Type	IP 00		
Coil connections	flat tabs 6,3 x 0,8 mm		
Insulation class	F	according to EN 60730	
Protection class	I	according to EN 60730 (for incorporation in class I)	

Options

	Inlet		Outlet		
	Ø	A1	Ø	B1	L
nozzle	7	12	7	12	50

