

Product Information

Pilot valve, monostable



A.u.K. Müller

Solenoid valves
Control valves
Special valves and systems

A.u.K. Müller GmbH & Co. KG
Dresdener Str. 162
D-40595 Düsseldorf/Germany

Tel.: +49 211 7391-0
Fax: +49 211 7391-281

e-mail: info@akmueller.de
Internet: www.akmueller.de

Series 19.00x.287



Characteristics

- long term performance capability through the use of high quality materials
- suitable for hot water up to 70°C
- ambient temperature up to 50°C
- monostable version
- testing of each device ensures highest quality standard

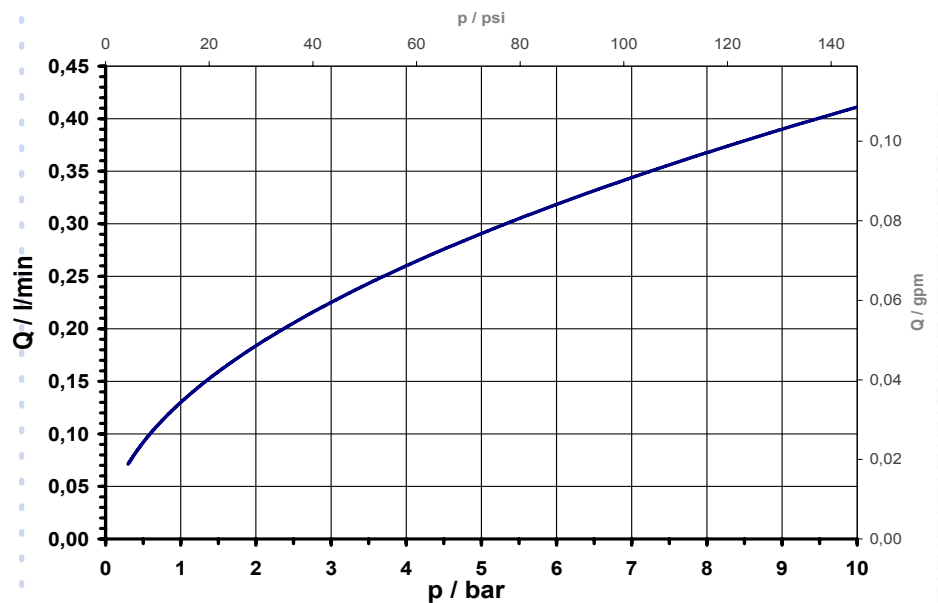
Applications

- pilot valve unit for servo controlled main valves
- valve for low quantity dispense

Description

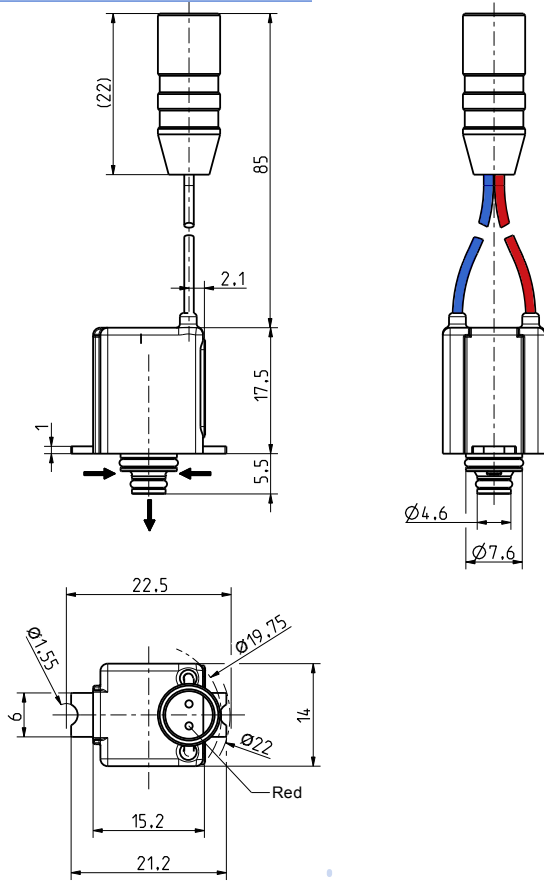
2/2-way pilot valve DN 0,5 for servo controlled valves with low power consumption.

typical performance curve (determined in plug-in contour)



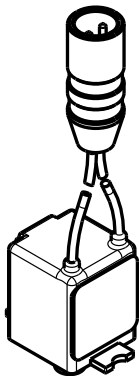


Series 19.00x.287



Materials

Plunger guide and vave body	POM
Plunger and spring	stainless steel
Seal	EPDM (VMQ on request)
O-Rings	EPDM
Coil coating	hotmelt

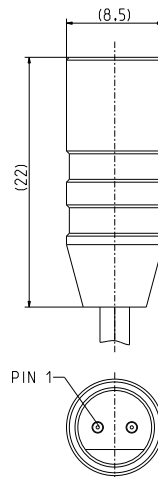


Technical Data

Type	pilot valve	
Construction	2/2-way, plug-in, direct controlled	
Function	NC (normally closed)	
Fitting position	any	
Media	cold and heated potable water and physically and chemically similar media	
T-Medium	5 - 70	°C
T-Ambient	5 - 50	°C
DN	0,5	mm
p-Operating	0,3 - 10,0	bar
Cv-value	0,13	l/min
Nominal voltage	12	V DC
	24	V DC
	12	V AC 50/60 Hz
	other voltages on request	
Voltage tolerance	-15 % +10 %	
optional voltage reduction		
	$t_{start} : 100 \text{ ms}$	$tp:T \geq 1:3$ [$>100\text{Hz}$] PWM
	$t_{start} : 100 \text{ ms}$	$tp:T \geq 1:4$ [$>1\text{kHz}$] PWM
Duty cycle	100%	
Nominal power	12 V DC	1,7 W
	24 V DC	1,8 W
	12 V AC	1,0 W
		1,33 VA (AC only)
Protection Type	IP 65	
Insulation class	A	according to EN 60730

Male connector

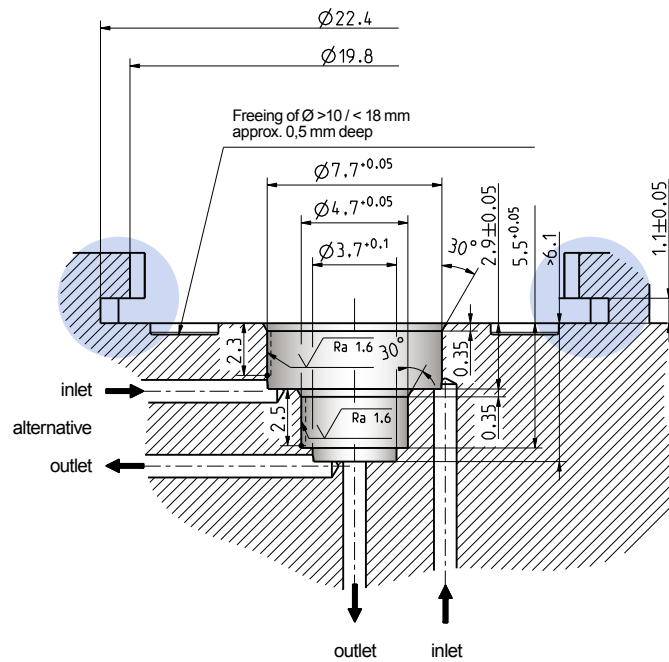
strand color **RED** Pin 1
strand color **BLUE**



Series 19.00x.287

Plug in contours

Bayonet fixing



Screwed fixing

