

Combination of external IR sensor and mono stable cartridge valve

Series 050-M07-12E/-24E



Fixing clip

Sensor

IR-windows

Description

Opto-electronical sensor unit available only in combination with mono stable cartridge valves 050-M07-120 /-240 and 50.007.100 (see separate data sheets) for use in faucet or urinal.

Non contact activation by IR proximity sensor.

A LED flashes each time to signal that the detection area had been entered or left. All versions may be equipped with an optional push-button, which starts the flow of water immediately.

Compact design for easy integration of sensor at minimum required space.

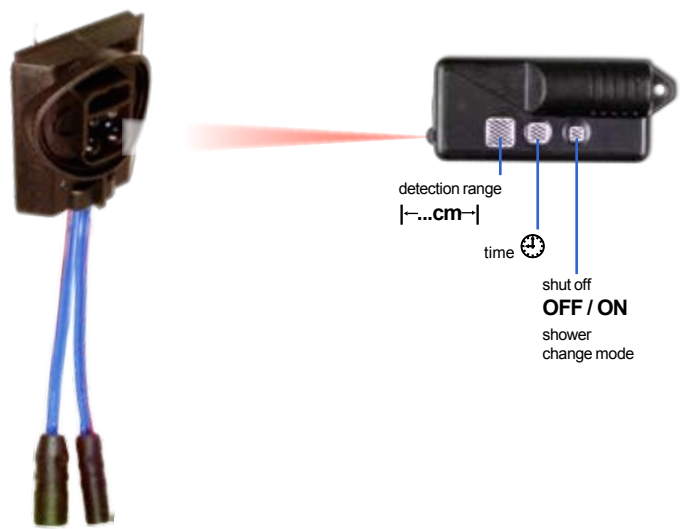
The power consumption allows, using common batteries, a surpassing long durability and safe operation.

Individual settings may be achieved by an optional IR-remote control. (detection range, on- off, follow-up-time).

Easy assembly, service and check of battery.

Applications

- control unit for sanitary faucet or urinal
- flushes
- shower fittings
- irrigation systems
- industrial appliances



A.u.K. Müller

Solenoid valves
Control valves
Special valves and systems

A.u.K. Müller GmbH & Co. KG
Dresdener Str. 162
D-40595 Düsseldorf/Germany

Tel.: +49 211 7391-0
Fax: +49 211 7391-281

e-mail: info@akmueller.de
Internet: www.akmueller.de

Characteristics

- external IR-sensor with micro controller
- compact design of sensor unit
- long term performance capability
- easy to assemble and service
- short response time on detection of user
- automatically adjusted to background in case of Power ON
- resin moulded electronic, protection type IP 65
- Shower functionality with two modes
 - BDM** = body detection mode
 - HDM** = hand detection mode
- high operating safety through the use of high quality materials and 100% final testing of the products
- preset values changeable by optional remote control

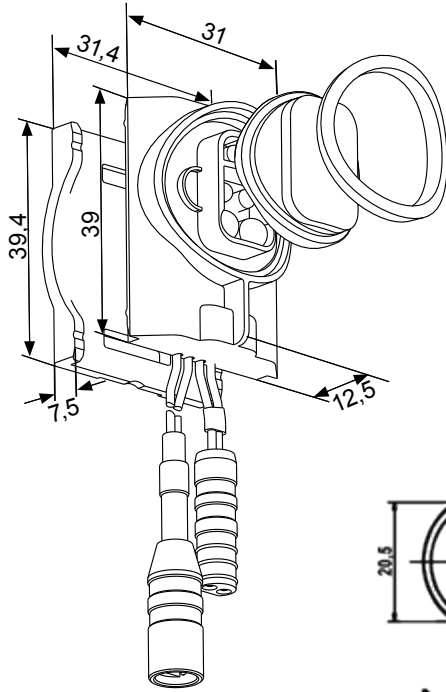
Product Information

Combination of external IR sensor and mono stable cartridge valve

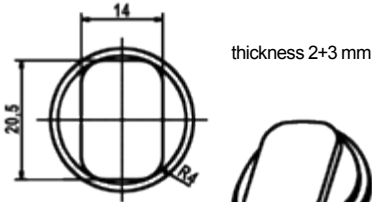


A.u.K. Müller

Series 050-M07-12E/-24E



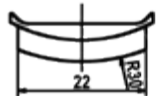
IR-window



thickness 2+3 mm



thickness 2+3 mm



Materials	
Body	POM
IR-windows	Makrolon
Clamp	Makrolon
Window strip	EP rubber

Technical Data

Type	opto electronic IR-sensor	
T-Ambient	60	°C max
Nominal voltage	12 - 24	V DC
Voltage tolerance	12 V DC +10% -15% 24 V DC +10% -15%	
Protection type	IP 65 according to EN 60529	
IR detection range	automatically on Power ON, depending on functionality	
Faucet functionality - default settings		
Response time	≤ 0,2	sec
Detection range	260	mm (± 15%) w/o IR-window
Turn off delay	1	sec (± 0,5 sec)
Siphon filling	every 24	h
Max. time of flow	120	sec (± 25 %)
Urinal functionality - default settings		
Detection range	650	mm (± 25%) w/o IR-window
Min. length of stay	7,5	sec (± 25%)
Flushing time	5,5	sec (± 1 sek)
Enforced flush	every 24	h
WC functionality - default settings		
Detection range	650	mm (±25%) w/o IR-window
Min. length of stay	5,0	sec (± 25%)
Flushing time delay	5,0	sec (± 10%)
Flushing time	3,0	sec (± 10%)
Shower functionality - default settings BDM (Power On)		
Detection range	650	mm (±25%) w/o IR-window
Min. length of stay	2,0	sec (± 25%)
Max. time of flow	300	sec (± 1%)
Turn off delay	3,25	sec (± 15%)
Shower functionality - default settings HDM		
Detection range	80	mm (±15%) w/o IR-window
Max. time of flow	120	sec (±1%)

Options

standard cable length		
with leads and connector	100	mm
with leads and connector	120	mm



Series 050-M07-12E/-24E

Options

IR - remote control available			push button on request	
faucet	detection range	30 - 260	mm	Yes
	turn off delay	0,5 - 8,0	sec	
	permanent - OFF	enable/ disable		
urinal	detection range	120 - 800	mm	Yes
	flushing time	0,5 - 15,5	sec	
	permanent - OFF	enable/ disable		
WC	detection range	120 - 800	mm	Yes
	flushing time	0,5 - 15,5	sec	
	permanent - OFF	enable/ disable		
shower BDM mode	detection range	120 - 800	mm	Yes
	flow time	300	sec	
	turn off delay	0,5 - 8	sec	
	HDM mode	enable/ disable		
BDM mode HDM mode	permanent - OFF	enable/ disable		
shower HDM mode	detection range	40, 80, 120, 160	mm	
	flow time max.	10 - 310	sec	
	BDM mode	enable/ disable		

The optional push button starts the flush or flow procedure immediately.
 BDM = body detection mode
 HDM = hand detection mode