

# Product Information

## Cartridge valve body adapter / brass



### A.u.K. Müller

Solenoid valves  
Control valves  
Special valves and systems

A.u.K. Müller GmbH & Co. KG  
Dresdener Str. 162  
D-40595 Düsseldorf/Germany

Tel.: +49(0)211-7391-0  
Fax: +49(0)211-7391-281

e-mail: info@akmueller.de  
Internet: www.akmueller.de

#### Series 50.007.52x



#### Characteristics

- long term performance capability
- easy to assemble and service
- standard connection
- any fitting position
- high operating safety through the use of high quality and 100% final testing of the products

#### Applications

- sanitary fittings
- irrigation systems
- industrial appliances

#### Description

The valve body adapter for use with cartridge valves of series 50.007.100\*) allows a variety of common inlet and outlet connections.

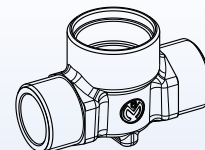
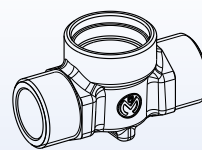
The screw-in version simplifies assembly, service and check of the valve.

The body adapter is made of low dezincification brass.

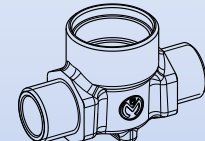
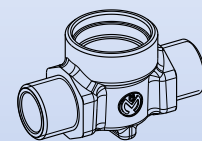
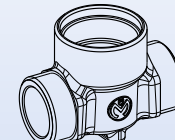
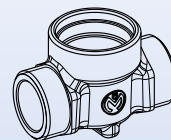
#### Cartridge screw-in threads

M 28 x 1,0

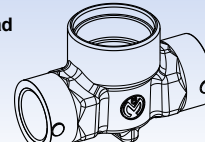
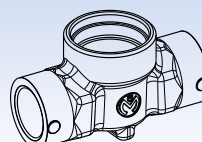
M 29 x 1,5



#### Male thread



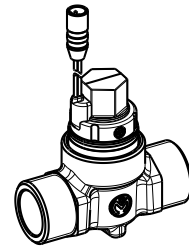
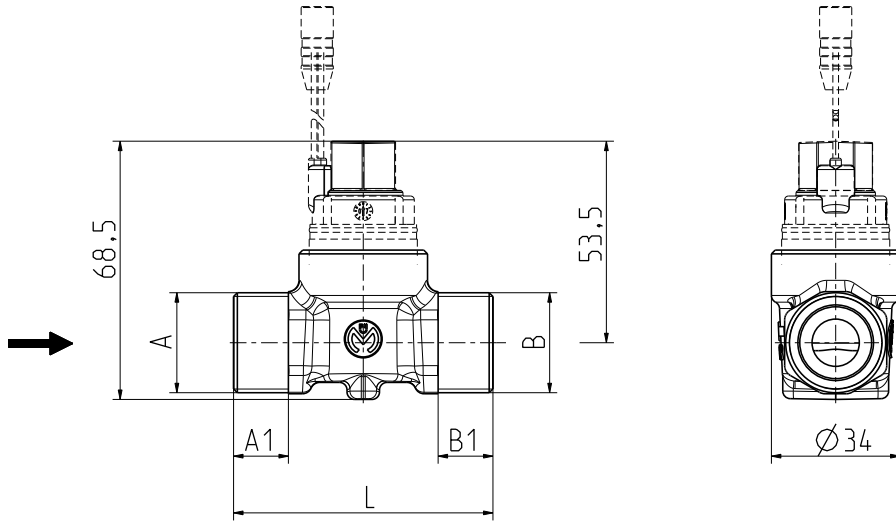
#### Female thread



\*) Limited utilization for valve types  
050.B07 03X/06X/09X  
050.M07 12X/24X



Series 50.007.52x



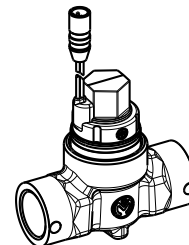
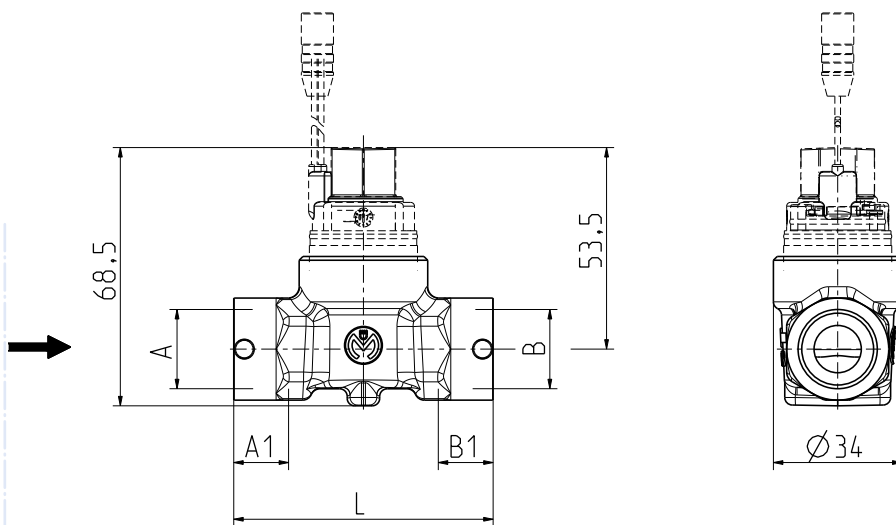
50.007.521

Options

ID	Material	Inlet		Outlet		Length L	Screw-in thread
		Ø A	A1	Ø B	B1		
008983	Brass	G 3/4	14,5	G 3/4	14,5	68,6	M 28 x 1,0
008985	Brass	G 3/4	10,0	G 3/4	10,0	55,0	M 28 x 1,0
008986	Brass	G 1/2	14,5	G 1/2	14,5	68,6	M 28 x 1,0
008987	Brass	G 3/4	14,5	G 3/4	14,5	68,6	M 29 x 1,5
008989	Brass	G 3/4	10,0	G 3/4	10,0	55,0	M 29 x 1,5
008990	Brass	G 1/2	14,5	G 1/2	14,5	68,6	M 29 x 1,5

Technical Data

Type	cartridge valve housing	
Construction	screw-in socket	
Fitting position	any	
Media	cold and heated potable water and physically and chemically similar media	
T-Medium	5 - 70	°C.
T-Ambient	5 - 60	°C
DN	7	mm
p-Operating	0,5 - 10,0	bar



50.007.523

Options

ID	Material	Inlet		Outlet		Length L	Screw-in thread
		Ø A	A1	Ø B	B1		
008984	Brass	G 1/2 female	14,5	G 1/2 female	14,5	68,6	M 28 x 1,0
008988	Brass	G 1/2 female	14,5	G 1/2 female	14,5	68,6	M 29 x 1,5

Materials

Valve body	brass type: CW602N
------------	--------------------