

Product Information

Bi stable cartridge valve, DN 7



A.u.K. Müller

Solenoid valves
Control valves
Special valves and systems

A. u. K. Müller GmbH & Co. KG
Dresdener Str. 162
D-40595 Düsseldorf/Germany

Tel.: +49(0)211-7391-0
Fax: +49(0)211-7391-281

e-mail: info@akmueller.de
Internet: www.akmueller.de

Series 50.007.100 bi M29



Description

2/2-way solenoid cartridge servo controlled valve of DN 7 in bi stable version, to be used particularly in electronically controlled sanitary fittings.

The power consumption is minimised by the use of impulse control (pwm) to increase long term performance, durability and battery life.

The design outline had been reduced so far, that integration in appropriate components while using a minimum amount of space, is given.

Positive properties are extended due to the simple "screw in" version, which supports easy assembly, service and tests by the customer. The design of a separate valve seat by the customer is not to apply, as otherwise is needed, if a pilot valve will solely be used.

The rate of flow of the cartridge valve has been optimized in such a way, that the nominal diameter of DN 7 fulfils the standard requirements for sanitary tap ware.

By using our special valve bodys, an extended variety of application can be achieved.

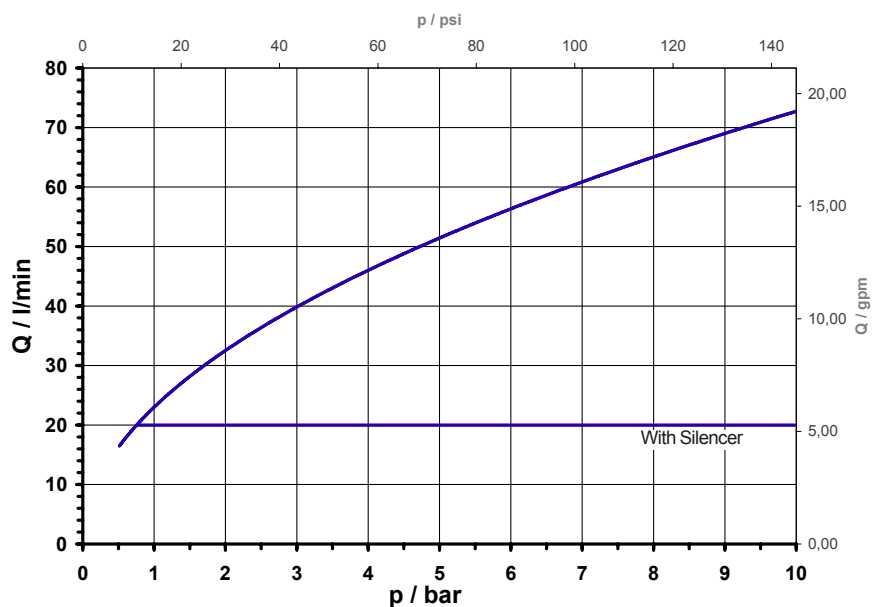
Applications

- sanitary fittings
- irrigation systems
- industrial appliances
- pilot system for valves with a larger nominal diameter

Characteristics

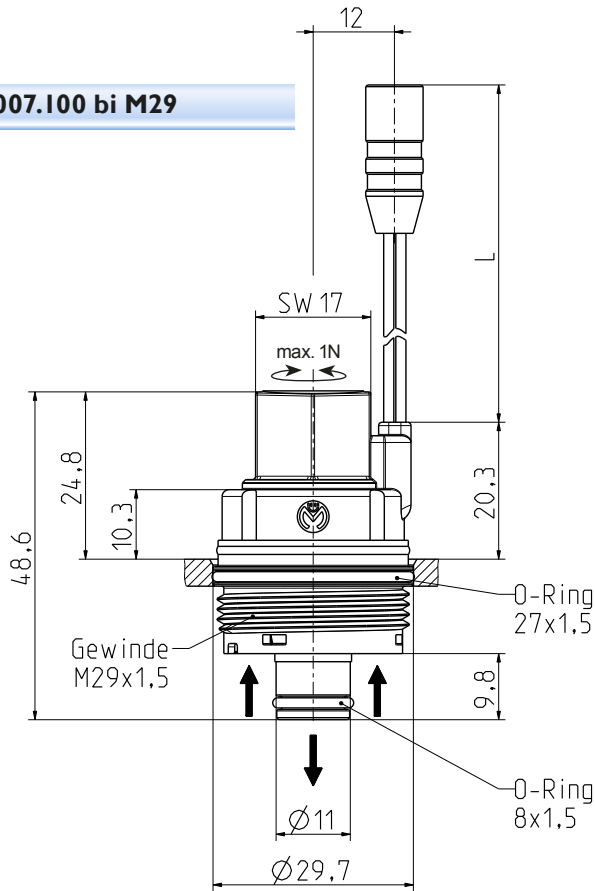
- servo-controlled
- pre tested functional unit
- long term performance capability
- internal triple pollution protection
- compact design
- optimized Cv-value for DN 7
- optimized water hammer characteristic by low noise emission according to EN 60730
- easy to assemble and service
- standard connection
- cylindrical design
- low power consumption
- any fitting position
- suitable for spray and jet water
- high operating safety through the use of high quality material and 100% final testing of the products

typical performance curve





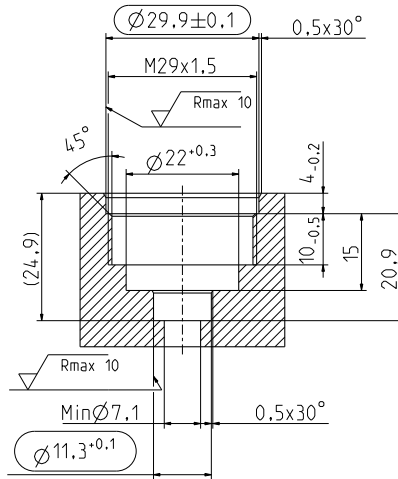
Series 50.007.100 bi M29



Before screw in o-rings are to be greased with silicone grease.

Max. Torque for screw in: 1Nm

screw in contour

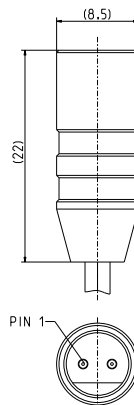


Materials

Valve body	PPSU
Plunger guide	LCP
Plunger	stainless steel
Membrane and sealings	EPDM
Filter	stainless steel (in inlet)

Options

Connection type	standard cable length
with leads and connector	100 mm
with leads	120 mm
connector	on request



Male connector

Polarity of connector:
strand color RED Pin 1
strand color BLACK

PLUS(+) pulse to open
MINUS(-)

Technical Data

Type	2/2-way-cartridge valve	
Construction	screw-in, servo controlled	
Function	bi stable, pulse controlled	
Connection	thread M29 x 1,5	
Fitting position	any	
Media	cold and heated potable water and physically and chemically similar media	
T-Medium	5 - 70	°C.
T-Ambient	5 - 60	°C
DN	7	mm
p-Operating	0,5 - 10,0	bar
Cv-value	23	l/min (with Silencer Qmax 20 l/min patented EP 0 999 392)
pressure surge	according to EN 60730	
Coil type	MS.035	
Nominal voltages	3	V DC
	6	V DC
	9	V DC
	other voltage on request	
Operating voltage	2,2 - 3,3 V DC open/close 4 - 6,9 V DC open/close 6 - 9 V DC open/close at T-Ambient: 25°C	
Pulse shape/-time		
Nominal power	0,5 - 1,2 W	
Protection Type	IP 67	higher IP-classes on request
Insulation class	B	according to EN 60730