

Bi stable axial cartridge valve, DN 7



A.u.K. Müller

Solenoid valves
Control valves
Special valves and systems

A.u.K. Müller GmbH & Co. KG
Dresdener Str. 162
D-40595 Düsseldorf/Germany

Tel.: +49 211 7391-0
Fax: +49 211 7391-281

e-mail: info@akmueller.de
Internet: www.akmueller.de

Series 51.007.125



51.007.125 DS



51.007.125 YS

Applications

- Sanitary faucets

Characteristics

- servo controlled
- pre-tested functional unit
- long term performance capability
- internal pollution protection
- compact design
- optimized water hammer characteristic by low noise emission according to EN 60730
- easy to assemble and service
- low power consumption
- any fitting position
- high operating safety by the use of high quality materials and 100% final testing of the products

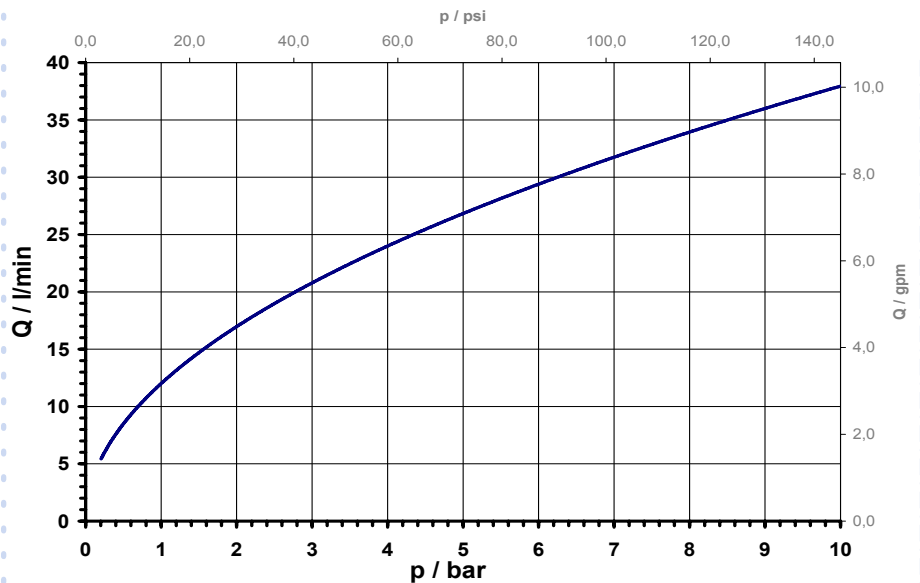
Description

2/2 way solenoid bi stable valve, DN 7, as cartridge version to control potable water with pilot controlled function, especially suitable for the application in battery operated electronically controlled faucets.

The power consumption is minimised by the use of impulse control (pwm), to achieve with primary cells a high capability with assured valve function.

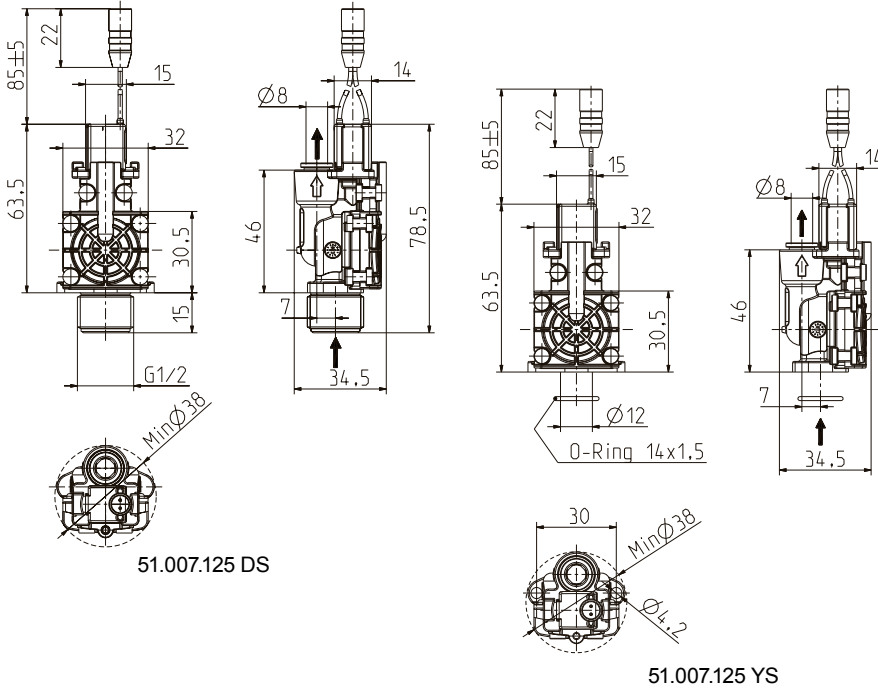
The construction is in the external contour decreased to allow a smooth integration of the component into a small space. The user does not need to design a valve seat.

typical performance curve





Series 51.007.125

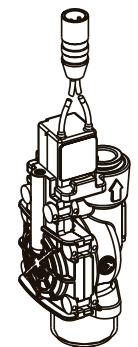


51.007.125 DS

51.007.125 YS

Materials

Valve body	PA 6/6 glass fibre reinforced
Plunger guide	POM / LCP
Plunger and spring	stainless steel
Membrane and sealings	EPDM
Membrane insert	PSU
Seal retainer	PEI
Coil coating	Hotmelt



51.007.125 DS



51.007.125 YS

Technical Data

Type	axial cartridge valve	
Construction	2/2-way, servo-controlled	
DS	G 1/2	John Guest 8mm
YS	flange	John Guest 8mm
Function	bi stable, pulse controlled	
Fitting position	any, preferably with coil upward	
Media	cold and heated potable water and physically and chemically similar media	
T-Medium	5 - 70	°C.
T-Ambient	5 - 50	°C
DN	7	mm
p-Operating	0,5 - 10,0	bar
Cv-value	12	l/min
pressure surge	according to EN 60730	
Nominal voltages	6	V DC
	(9)	V DC on request
	other voltages on request	
Operating voltage	4,0 - 6,9 V DC open/close at T-Ambient 25 °C	
Pulse shape/-time		
Nominal power	1,4 W (<1,0 W)	at nominal voltage at 5 V DC)
Protection Type	IP 65	according to EN 60529
Insulation class	B	according to EN 60730
Protection class	III	according to EN 60730

Coil connection - Options

pin plug

polarity of plug:

Wire colour **RED** Pin 1
Wire colour **BLACK**

PLUS(+) for opening pulse
MINUS(-)

Option:

Conditional application possibilities with other John Guest-adapters (presently 8mm Ø), different connection threads for flex tubes and other fixing possibilities for the cartridge valve on request

