

# Product Information

## Cartridge valve body adapter



## A.u.K. Müller

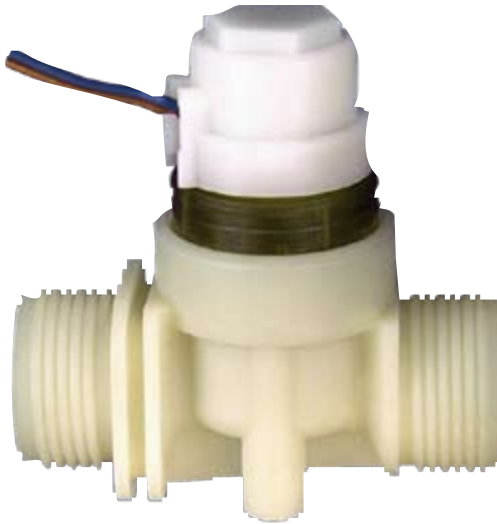
Solenoid valves  
Control valves  
Special valves and systems

A.u.K. Müller GmbH & Co. KG  
Dresdener Str. 162  
D-40595 Düsseldorf/Germany

Tel.: +49 211 7391-0  
Fax: +49 211 7391-281

e-mail: [info@akmueller.de](mailto:info@akmueller.de)  
Internet: [www.akmueller.de](http://www.akmueller.de)

50.007.126



### Characteristics

- long term performance capability
- easy to assemble and service
- standard connection
- any fitting position
- high operating safety through the use of high quality and 100% final testing of the products

### Applications

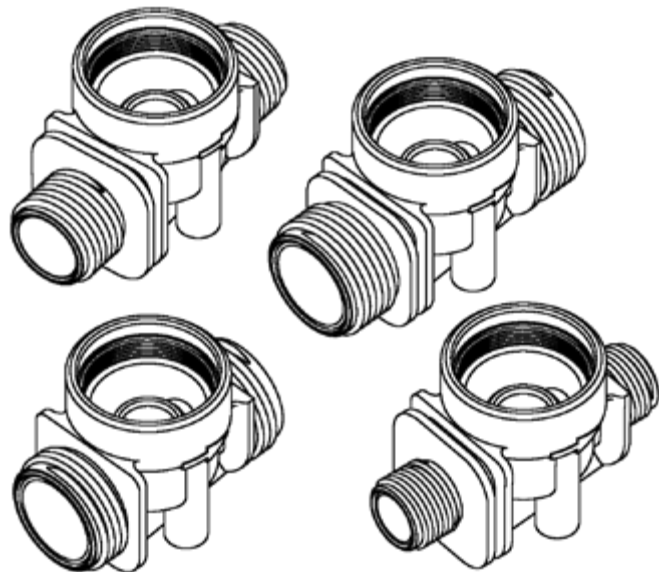
- sanitary fittings
- irrigation systems
- industrial appliances

### Description

The valve body adapter for use with cartridge valves of series 050. ... and 50.007.100\*) allows a variety of common inlet and outlet connections.

The screw-in version simplifies assembly, service and check of the valve.

The body adapter is made of PPE.



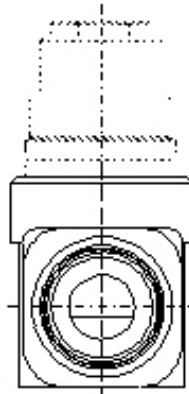
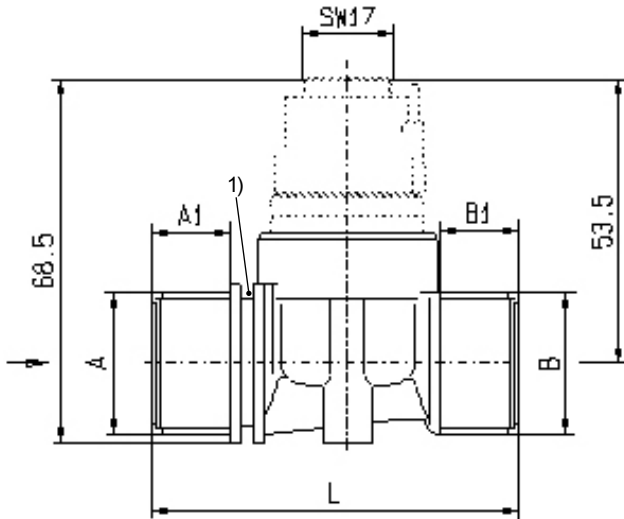
\*) Not adaptable for valve types  
50.007.100 bi M29  
50.007.100 mono M29



50.007.126

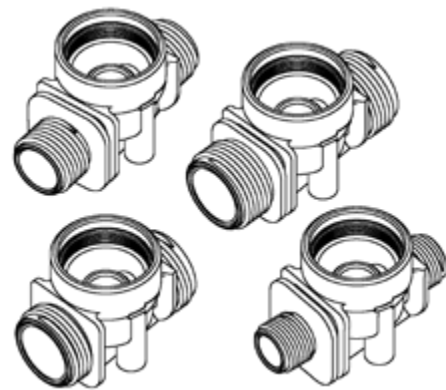
### Technical Data

Type	cartridge valve housing	
Construction	Screw-in socket	
Fitting position	any	
Media	cold and heated potable water and physically and chemically similar media	
T-Medium	5 - 70	°C.
T-Ambient	5 - 60	°C
DN	7	mm
p-Operating	0,5 - 8,0	bar
Max.pressure Body	25	bar



### Materials

Valve body	PPE
------------	-----



### Options

Inlet		1) Fixing groove	Outlet		Length	
A	A 1		B	B 1	L	
G 3/4	10	no	G 3/4	10	55	
G 3/4	14,5	yes	G 3/4	14,5	68	
G 3/4	18	yes	G 3/4	18	75	on demand
G 1/2	15	yes	G 1/2	15	69	
G 3/8	13	yes	G 3/8	13	65	
G 3/4	14,5	yes	G 1/2	15	69	

Further mounting variants and different angled outlets on request.