

Product Information

battery cases



A.u.K. Müller

Solenoid valves
Control valves
Special valves and systems

A.u.K. Müller GmbH & Co. KG
Dresdener Str. 162
D-40595 Düsseldorf/Germany

Tel.: +49 211 7391-0
Fax: +49 211 7391-281

e-mail: info@akmueller.de
Internet: www.akmueller.de

NBR cases



Characteristics

- moisture protected battery terminals
- any fitting position
- battery change without tools (not for PC case)

Applications

- sanitary fittings
- photo and video applications
- model making
- use in moistened areas

Description

Elastomer battery case to slide in a 6V lithium or 9V battery type E with moisture protected battery terminals.

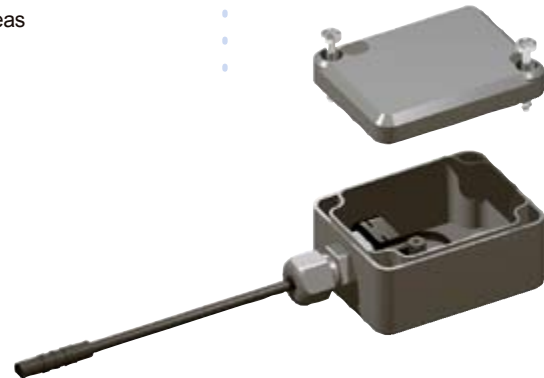
Originally developed as an accessory for the bi stable integral cartridge valves of product line 050-... the elastomer battery cases are singly available with twin flex cable of about 125 mm length and round connector by default.

Additionally, the battery casings are suitable for all appliances requiring an independent power supply.

Due to the moisture protection, they can be utilised in a wide range of similar environments.

The PC battery case enables the protection type IP 65.

PC box

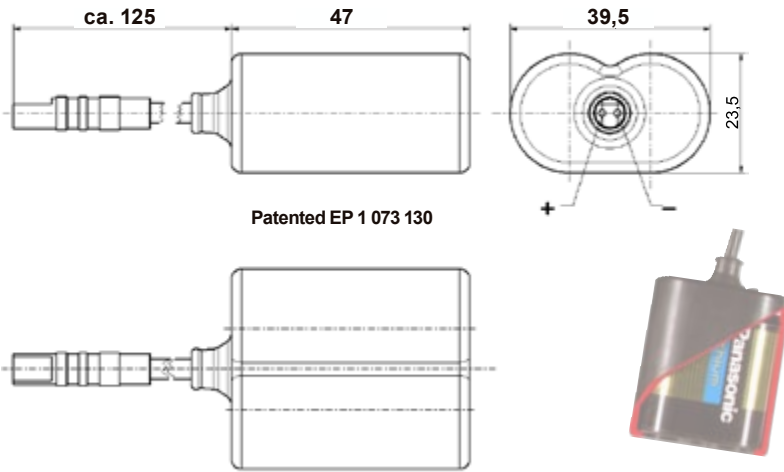


ABS box *)





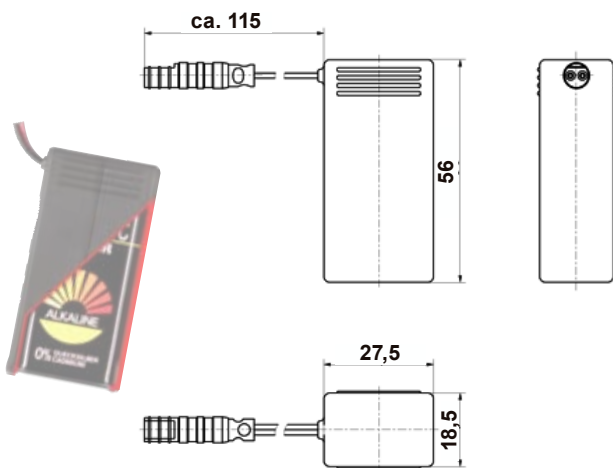
battery type: CR-P2 6V Lithium



Technical Data

Battery types	6V CR-P2 lithium 9V E-block
Construction	elastomer case or plastic housing
Battery terminals	integrated
Cable	Liy 2 x 0,25mm ²
Cable length	125 mm (by default)
Connection	on request

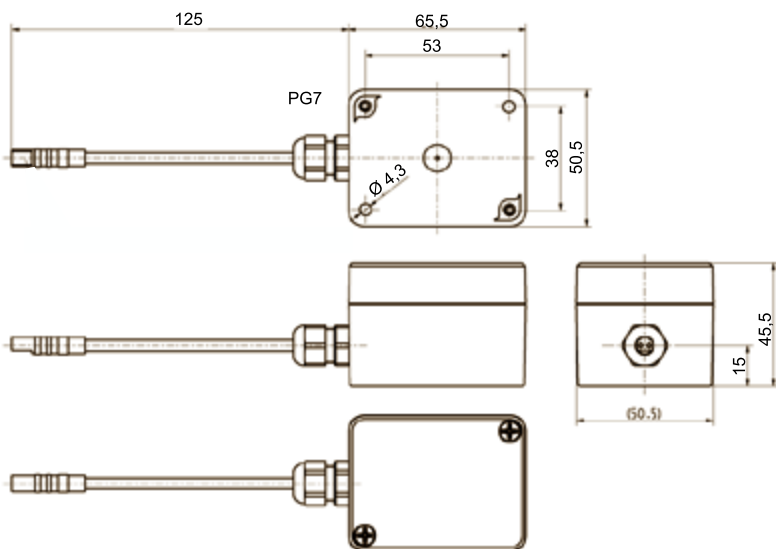
battery type: PP3 9V alkaline



Materials

Battery case	NBR EPDM
Battery box	PC (polycarbonate) ABS *)
Cable insulating	PVC

battery type: PP3 9V alkaline



battery cases *Product Information*



A.u.K. Müller

battery type: CR-P2 6V Lithium *)

Materials

Battery box 9V	6V CR-P2 lithium
Cable insulating	PVC

