



### Series 21.010.126



### Description

Servo-controlled valve nominal diameter DN 10, which closes by means of buoyancy of a floater to control level in tanks.

If liquid is drained from the tank, the float valve refills automatically and closes when the maximum level has been reached.

While water level and floater rises, the flow into the tank is throttled proportional to the levers position.

An overflow of small tanks will be prevented during the initial filling.

Valves of this design are single chamber straight valves.

The valve, having a glass fibre reinforced polyamid housing and can be manufactured with various connections and is suitable up to 60 °C by using a PE-floater.

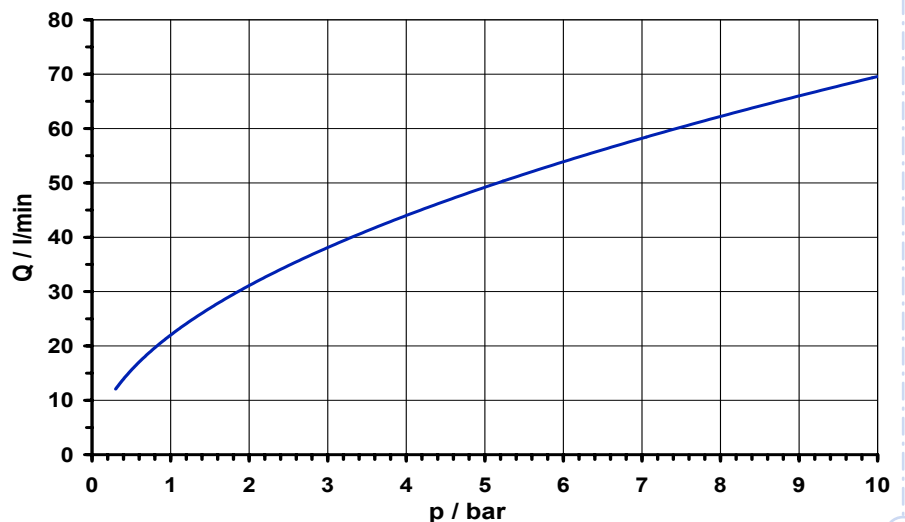
### Applications

- tank filling
- high pressure cleaning devices (system separation according to EN 1717)
- washing systems
- irrigation systems
- ice machines
- industrial appliances

### Characteristics

- proportional behaviour (flow depends on position of float lever)
- servo-controlled
- operation largely independent from inlet pressure
- easy to assemble and service
- compact design
- suitable for heated water up to 60 °C
- floater adjustable on thread rod
- thread rod can be shortened at predetermined breaking points
- different lever lengths available
- high operating safety through the use of high quality materials and 100% final testing of the products

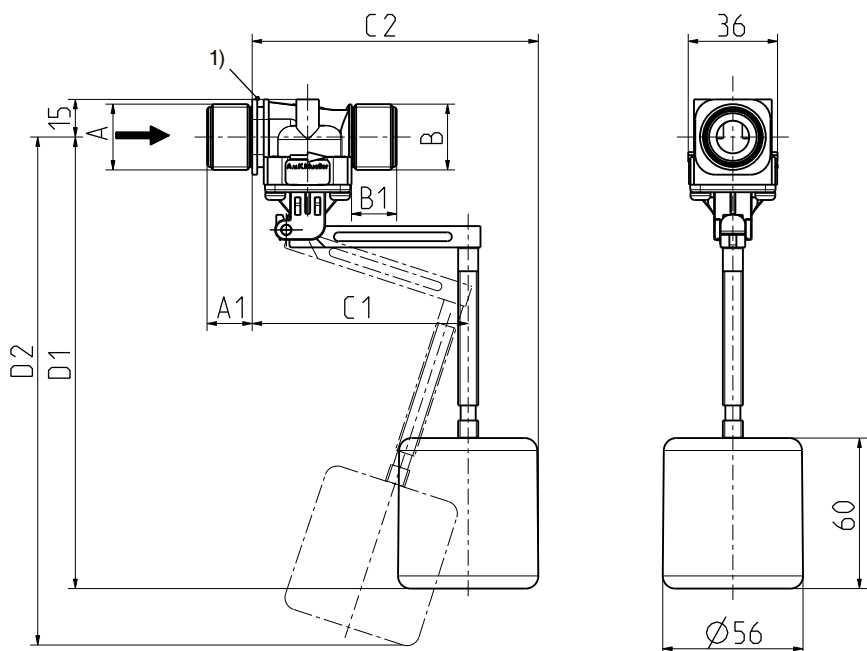
typical performance curve





**Series 21.010.126**

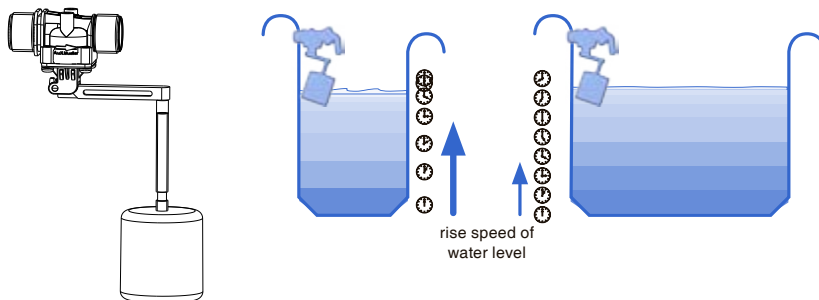
**Technical Data**



<b>Type</b>	float valve	
<b>Construction</b>	2/2-way single chamber straight valve, servo-controlled	
<b>Function</b>	closed by buoyancy of float	
<b>Fitting position</b>	float pointing downwards	
<b>Media</b>	cold and heated potable water and physically and chemically similar media	
<b>T-Medium</b>	30 60	°C polystyrene °C PE
<b>T-Ambient</b>	as per T-Medium	
<b>DN</b>	10 mm	
<b>p-Operating</b>	0,3 - 10,0 bar	
<b>Cv-value</b>	22 l/min	
<b>Flow regulator</b>	on request	
<b>Float cylinder</b>	position adjustable	

**Materials**

<b>Valve body</b>	PA 66 glass fibre reinforced
<b>Metal parts in medium</b>	stainless steel
<b>Membrane and sealings</b>	EPDM
<b>Float cylinder</b>	PE-foam polystyrene on request
<b>Float lever</b>	POM
<b>Filter</b>	POM (at inlet) stainless steel on request

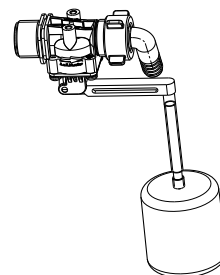


1) Fixing groove

**Options**

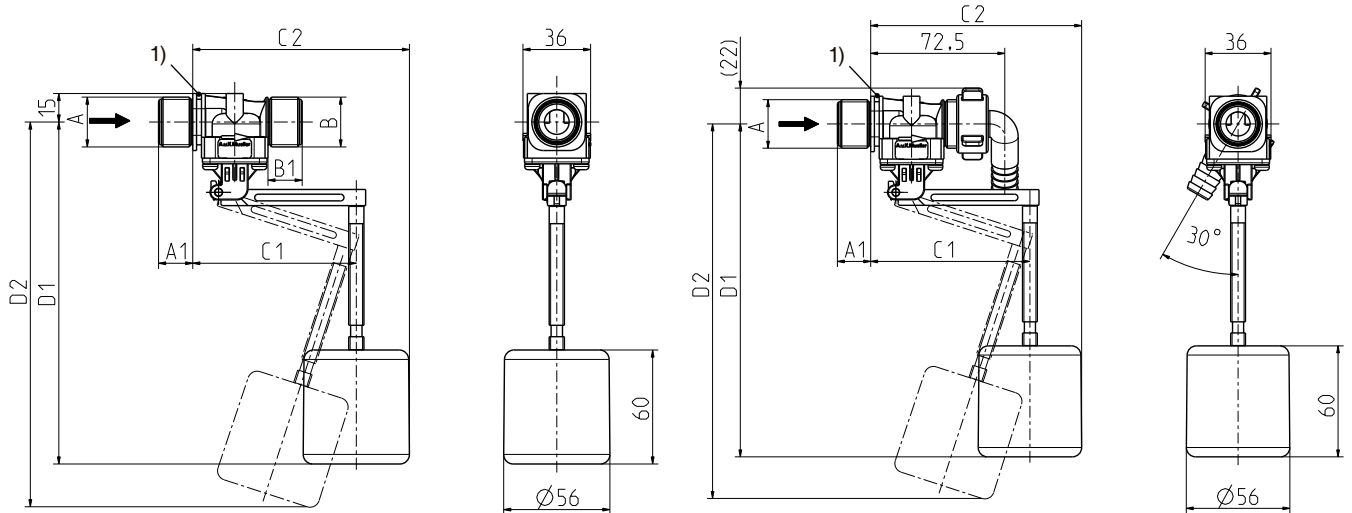
Lever dimensions	a)	b)
<b>D1</b>	113	180
<b>D2</b>	131	203
<b>C1</b>	57	86
<b>C2</b>	85	114

Elbow nozzle





**Series 21.010.126**



1) Fixing groove

**Options**

Material	Inlet		Outlet		Length L	Height H	Depth T
	Ø A	A1	Ø B	B1			
PA 66	G 3/4	18,0	G 3/4	18,0	76,0	79,0	36,0
PA 66	G 1/2	15,0	G 1/2	15,0	70,0	79,0	36,0
PA 66	G 3/8	13,0	G 3/8	13,0	66,0	79,0	36,0
PA 66	G 3/4	18,0	G 1/2	15,0	73,0	79,0	36,0
PA 66	G 3/4	18,0	G 3/8	13,0	71,0	79,0	36,0
PA 66	G 1/2	15,0	G 3/4	18,0	73,0	79,0	36,0
PA 66	G 1/2	15,0	G 3/8	13,0	68,0	79,0	36,0
PA 66	G 3/8	13,0	G 3/4	18,0	71,0	79,0	36,0
PA 66	G 3/8	13,0	G 1/2	15,0	68,0	79,0	36,0
PA 66	G 3/4 (no fixing clip possible)	10,0	G 3/4	10,0	55,0	79,0	36,0
PPE beige	G 1/4 x 10 female	13,0 nozzle	G 1/4 x 10 female	13,0 nozzle	66,0	79,0	36,0
PPE	G 3/8	13,0	G 3/8	13,0	66,0	79,0	36,0
PA 66	G 3/4	18,0	G 3/4	10,0	68,0	79,0	36,0
PA 66	G 3/8	13,0	12,0 nozzle	15,5	70,0	79,0	36,0
PPE grey	12,0 nozzle	17,0	12,0 nozzle	17,0	74,0	79,0	36,0
PA 66	G 3/4	14,5	G 3/4	14,5	69,0	79,0	36,0
PA 66	G 3/4	18,0	G 1/2	13,5	77,0	79,0	36,0
PA 66	G 3/4	18,0	G 3/4 clamping nut	16,0	74,0	79,0	36,0
PA 66	G 3/4 clamping nut	16,0	G 3/4	18,0	74,0	79,0	36,0
PA 66	G 3/8	13,0	G 3/4 clamping nut	16,0	70,0	79,0	36,0
PA 66	G 3/4	18,0	12,0 nozzle	15,5	75,0	79,0	36,0
PA 66	G 3/4	18,0	15,0 nozzle*	30,0	90,0	79,0	36,0
PA 66	15,0 nozzle*	30,0	G 3/4	18,0	88,0	79,0	36,0
PPE black	G 1/2	15,0	G 1/2	15,0	70,0	79,0	36,0
PPE black	G 3/4	18,0	G 3/4	18,0	76,0	79,0	36,0

\* Only for John Guest cartridge Ø 15,0 mm