

Product Information

Float valve, DN 13, float ball



A.u.K. Müller

Solenoid valves
Control valves
Special valves and systems

A.u.K. Müller GmbH & Co. KG
Dresdener Str. 162
D-40595 Düsseldorf/Germany

Tel.: +49(0)211-7391-0
Fax: +49(0)211-7391-281

e-mail: info@akmueller.de
<http://www.akmueller.de>

Series 21.013.126



Characteristics

- proportional behaviour (flow depends on position of float lever)
- servo-controlled
- operation largely independent from inlet pressure
- easy to assemble and service
- compact design
- suitable for heated water up to 90 °C
- floaters adjustable
- different lever dimensions available (on request)
- high operating safety by the use of high quality materials and 100% final testing of the products

Applications

- tank filling
- high pressure cleaning devices (system separation according to EN 1717)
- washing systems
- irrigation systems
- industrial appliances

Description

Servo-controlled valve nominal diameter DN 13, which closes by means of buoyancy of a floater to control level in tanks.

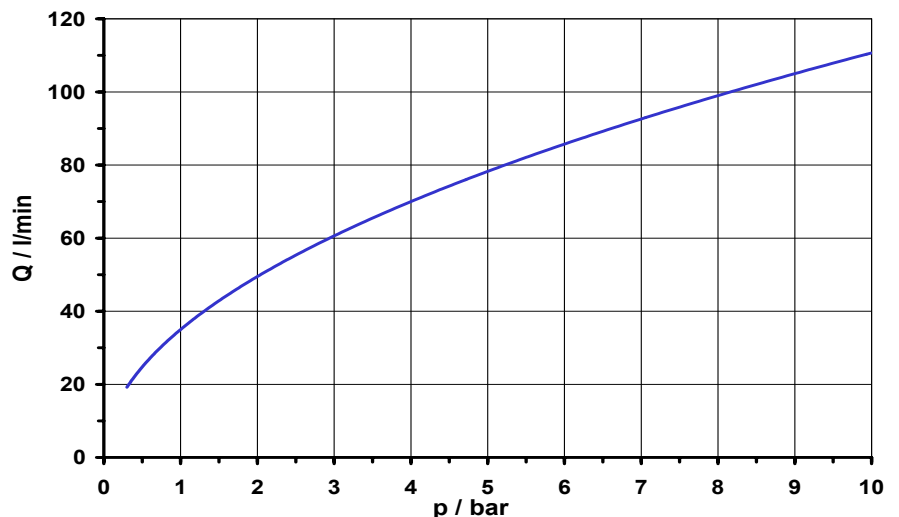
If liquid is drained from the tank, the float valve refills automatically and closes when the maximum level has been reached.

While water level and floater rises, the flow into the tank is throttled proportional to the levers position.

An overflow of small tanks will be prevented during the initial filling.

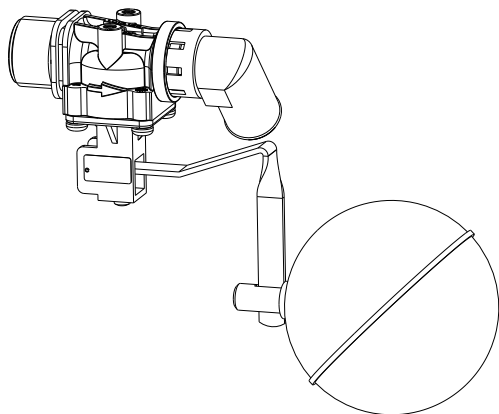
Valves of this design are single chamber straight valves with a glass fibre reinforced polyamid elbow nozzle as outlet.

typical performance curve





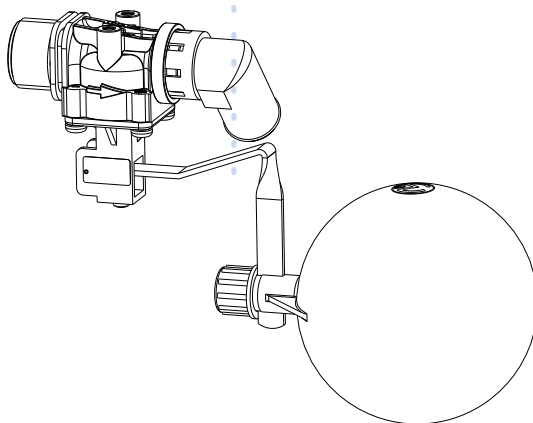
Series 21.013.126



Float ball: stainless steel Tm: 90°C

Technical Data

Type	float valve	
Construction	2/2-way single chamber straight valve, elbow nozzle as outlet, servo-controlled	
Function	closed by buoyancy of floater	
Fitting position	floater pointing downwards	
Media	cold and heated potable water and physically and chemically similar media	
T-Medium	90	°C max. stainless steel
	60	°C max. PPH
T-Ambient	as per T-Medium	
DN	13	mm
p-Operating	0,3 - 10,0	bar
Cv-value	35	l/min
Flow regulator	on request	
Float ball	position adjustable	



Float ball: PPH Tm: 60°C

Materials

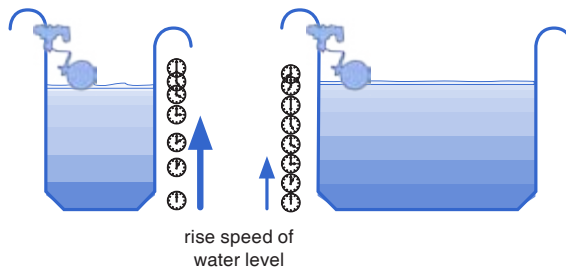
Valve body	PA 66 glass fibre reinforced
Elbow nozzle	PA 66 glass fibre reinforced
Metal parts in medium	stainless steel
Membrane and sealings	EPDM
Float ball	stainless steel (1.4301) PPH (on request)
Float lever	brass CW508L 10x2
Filter (at inlet)	POM (stainless steel on request)

Elbow nozzle

remove nozzle

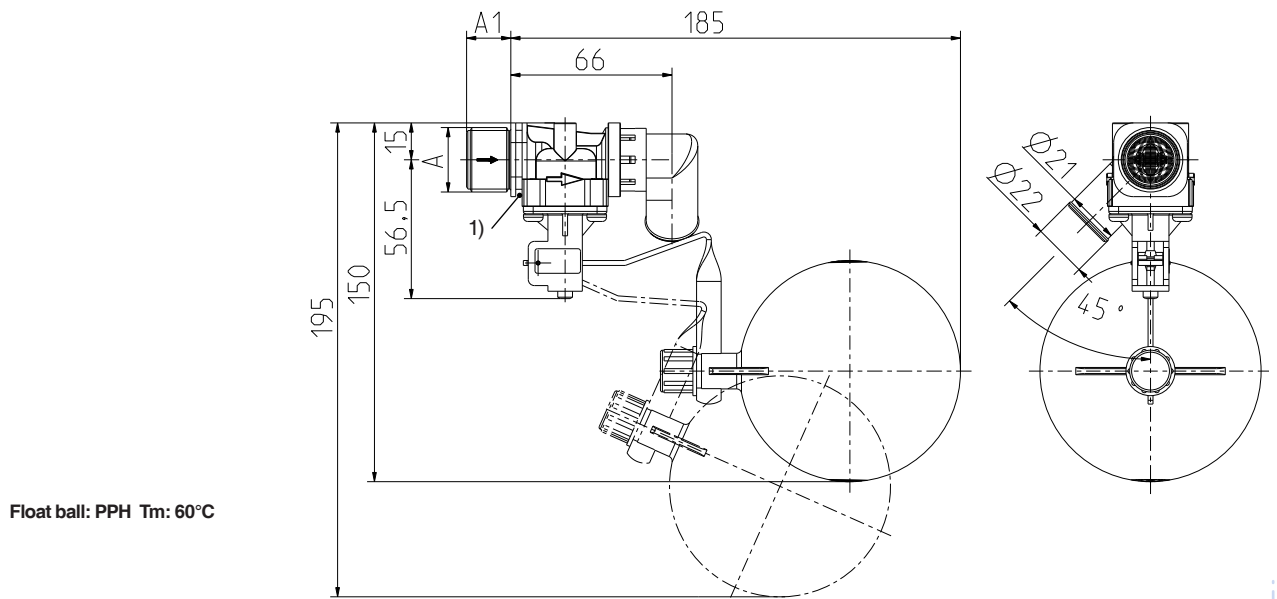
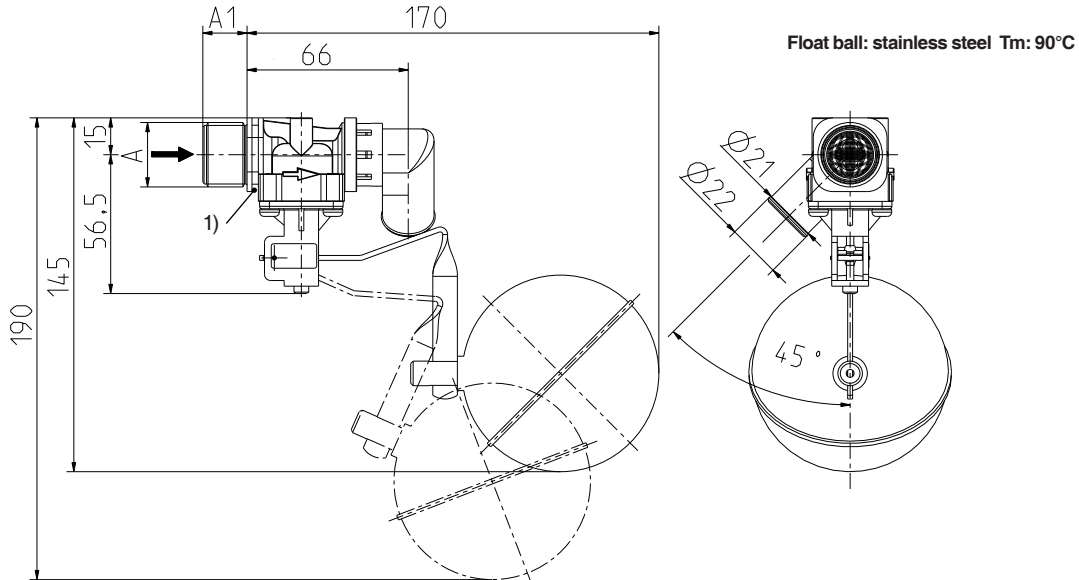
shift ring

remove nozzle





Series 21.013.126



1) Fixing groove

Options

Material	Inlet	
	Ø A	A1
PA 66	G 1/2	15,0
PA 66	G 3/4	14,5
PA 66	G 3/4	18,0