



Series 16.001.216



Characteristics

- medium completely separated from valve parts
- chemical resistance depends on the material of the tube selected
- tube can easily be changed
- no dead areas as in usual valve body
- flow in either direction
- coil can be fixed in any position through 360°
- minimum 1 million cycles (dry, without medium)

Applications

- dosage systems
- laboratory analysis
- medical equipment
- vending machines

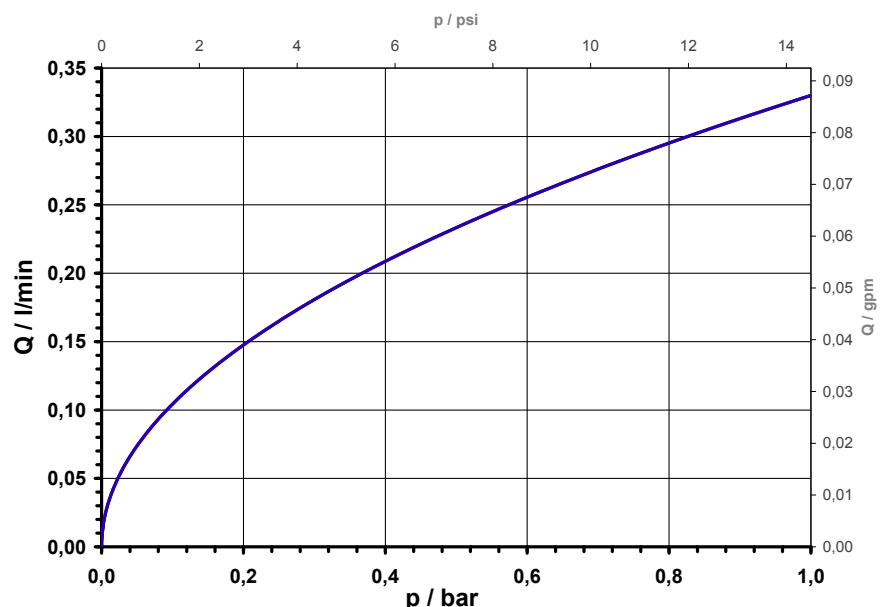
Description

The 16.001.216 pinch valve series is normally open in operation and is designed for flexible tubes up to an outer diameter of 2,2 mm and a shore hardness of 50 - 60.

The flow of the medium is controlled by pinching the inserted tube. This design avoids using the traditional valve seat and membrane which can cause turbulence in the fluid flow and create dead areas in the valve housing where medium or dirt can collect. The valve is particularly suitable for applications where a high level of hygiene is required.

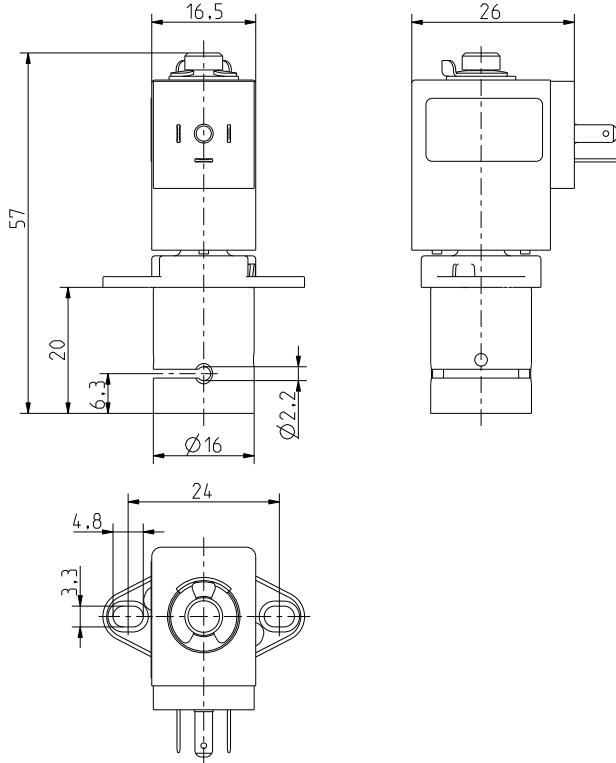
The resistance against chemicals depends on the selected material of the tube.

Typical performance curve
Silicone tube 1x0,25; 60°Sh; length 30cm
Medium: Water at Tm: 25°C; Free Outlet





Series I6.001.216



Technical Data

| | | |
|-------------------|---|-----------------------|
| Type | pinch valve | |
| Construction | 2/2-way solenoid valve, direct acting | |
| Function | NO (normally open) | |
| Fitting position | any | |
| Media | depends on tube | |
| T-Medium | 90 (194) | °C max. °F max.) |
| T-Ambient | -10 – +50 (14 – 122) | °C °F) |
| p-Operating | 0 - 1 bar (0 - 14,5 psi) (depending on tube) | |
| Coil type | MS.037-16 | |
| Nominal voltages | 24 | V DC |
| | other voltages on request | |
| Voltage tolerance | ±10% | |
| Duty cycle | 100% | |
| Protection Type | IP 65 | |
| Coil connections | plug socket according to EN 175301-803 (IP65) | |
| Insulation class | F | according to EN 60730 |

Materials

| | |
|--------------------|-------------------------------|
| Valve body | aluminium (surface refined) |
| Fixing flange | PA 66, glass fibre reinforced |
| Plunger guide | aluminium |
| Plunger and spring | stainless steel |
| Coil coating | PA 6, glass fibre reinforced |



Options

| I.D. Ø | O.D. Ø | Wall Thickness | Shore-Hardness | Clamping-Force / N | Nominal power consumption / W |
|--------|--------|----------------|----------------|--------------------|-------------------------------|
| 1,0 | 1,5 | 0,25 | 60°±5° | 1,4 | 3,0 |

Range of possible outer diameter (O.D.Ø) of tube: 1,5 - 2,2 mm.
 The wall thickness should not deviate from the one given in the upper table.
 The valve may only be operated with inserted tube.

