

Product Information

Dispense valve



A.u.K. Müller

Solenoid valves
Control valves
Special valves and systems

A.u.K. Müller GmbH & Co. KG
Dresdener Str. 162
D-40595 Düsseldorf/Germany

Tel.: +49 211 7391-0
Fax: +49 211 7391-281

e-mail: info@akmueller.de
Internet: www.akmueller.de

Series 06.003.234



Characteristics

- compact design
- easy to assemble and service
- each inlet has a manual adjuster to regulate flow and bubble size
- high quality materials ensure no taste or taint of the medium
- prevention against beverage contamination caused by undesirable build of oxidation

Applications

Beverage dispensers for

- soda water (premixed with CO₂)
- aerated water O₂ (premixed with O₂)
- fruit juice of low viscosity (premixed with CO₂)

Description

Dispensers of sparkling, still or aerated water are becoming more common in hospitals, old people's homes and other public places.

This solenoid valve is specially designed to meet the requirements of such dispensers. Available with two separate inlets, where flow can be individually adjusted, enabling the dispense of two different drinks.

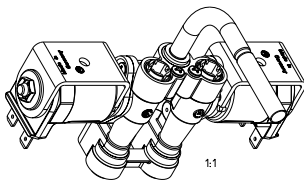
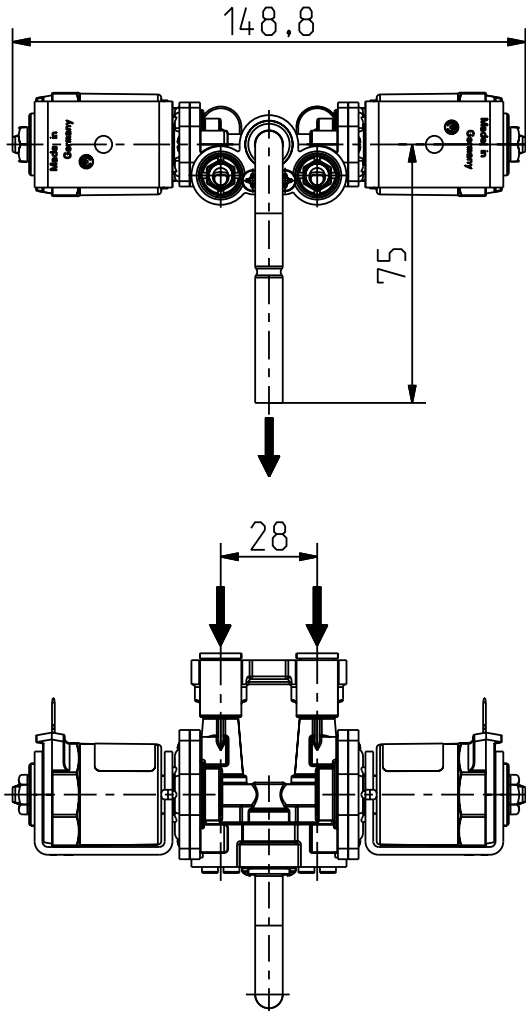
The inlets are JohnGuest cartridges.

The use of high quality materials for all parts in contact with the medium ensure there are no taste or taint problems.





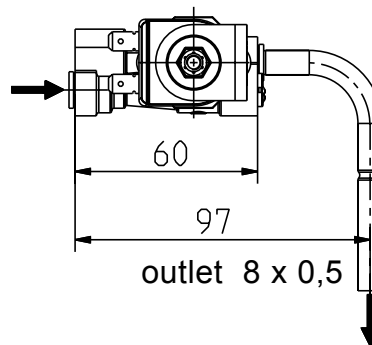
Series 06.003.234



Technical Data

Type	solenoid dispense valve		
Construction	modular valve, direct acting		
Function	NC (normally closed)		
Fitting position	any		
Media	water, soda-water and juice (low viscosity)		
T-Medium	30	°C max.	
T-Ambient	60	°C max.	
DN	3	mm	
p-Operating	0 - 7	bar	
flow rate	5	l/min max.	
Flow regulator	manually adjustable		
Coil type	MS.006		
Nominal voltages	12	V DC	
	24	V DC	
	24	V AC	50 Hz
	24	V AC	60 Hz
	other voltages on request		
Voltage tolerance	+10% -15%		
Duty cycle	100%		
Nominal power	8,5 W	13 VA (AC only)	
Protection Type	IP 00		
Coil connections	flat tabs 6,3 x 0,8 mm		
Insulation class	F	according to EN 60730	
Protection class	I	according to EN 60730 (for incorporation in class I)	

retaining bore holes for self tapping screws Ø 5,2 / depth 15



JohnGuest connection for pipe O.D. 8

Materials

Valve body	PPSU
Plunger guide	stainless steel
Plunger and spring	stainless steel
Short circuiting ring	silver
Outlet pipe	stainless steel
Membrane and sealings	EPDM
Coil coating	PBT, PET or epoxy resin

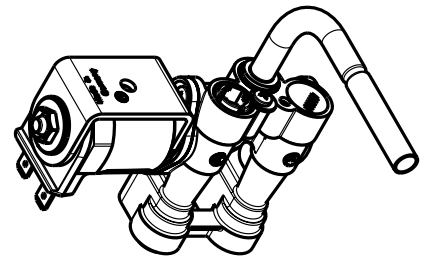
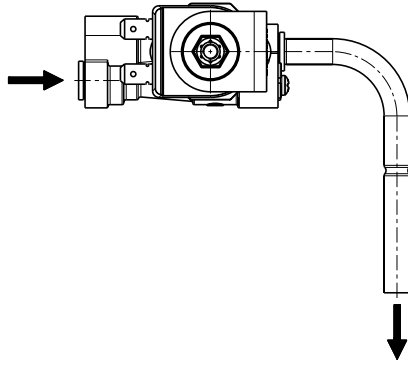
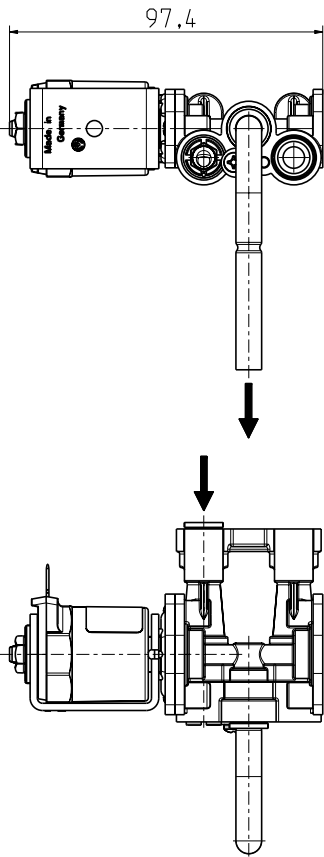
Product Information

Dispense valve



A.u.K. Müller

Series 06.003.114



More options with only one valve equipped, either left or right.

Series 06.003.124

