

Product Information

Flange



A.u.K. Müller

Solenoid valves
Control valves
Special valves and systems

A.u.K. Müller GmbH & Co. KG
Dresdener Str. 162
D-40595 Düsseldorf/Germany

Tel.: +49 211 7391-0
Fax: +49 211 7391-281

e-mail: info@akmueller.de
Internet: www.akmueller.de



Characteristics

- fit to valve without tools possible
- provides secure mounting within cabinet

Applications

- for solenoid valves with magnet bracket
width 24 - 25 mm
thick 2,0 - 2,3 mm

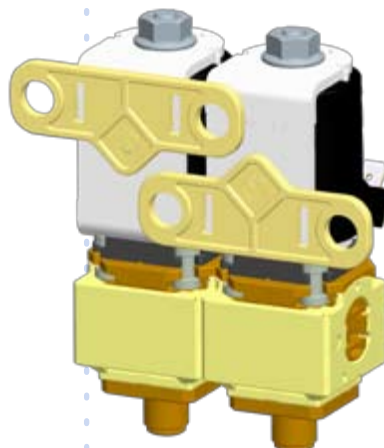
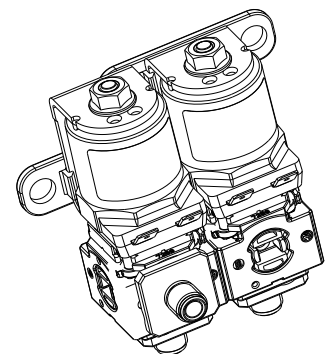
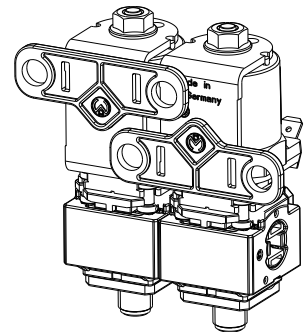
Description

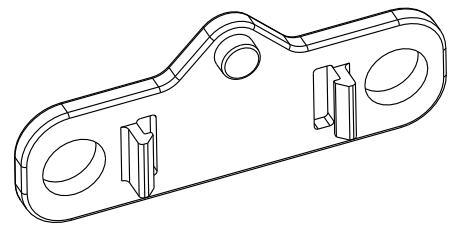
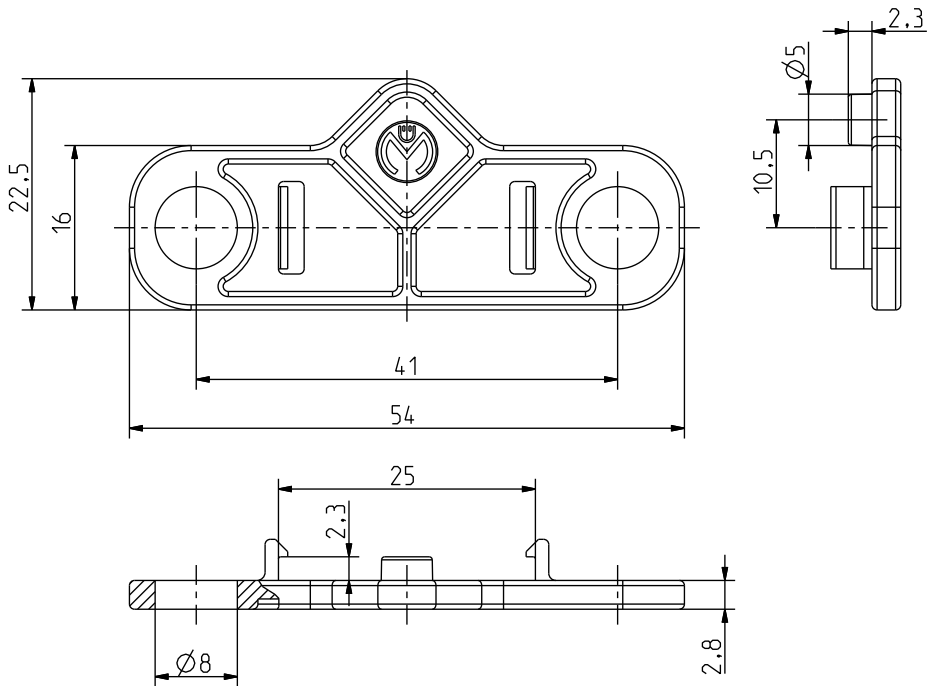
The flange allows for additional mounting support for numerous A.u.K. Müller solenoid valves.

It can be clipped to the yoke plate of the coil and allows with the fixing holes on each side an additional valve support.

A factory pre-assembly of the flange to the yoke of the magnet coil is recommended.

The flange is intended to be attached and not meant to be attached and removed several times.





Material

Flange	PPE
ID	008335

Example of assembly

