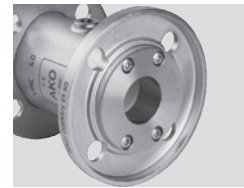
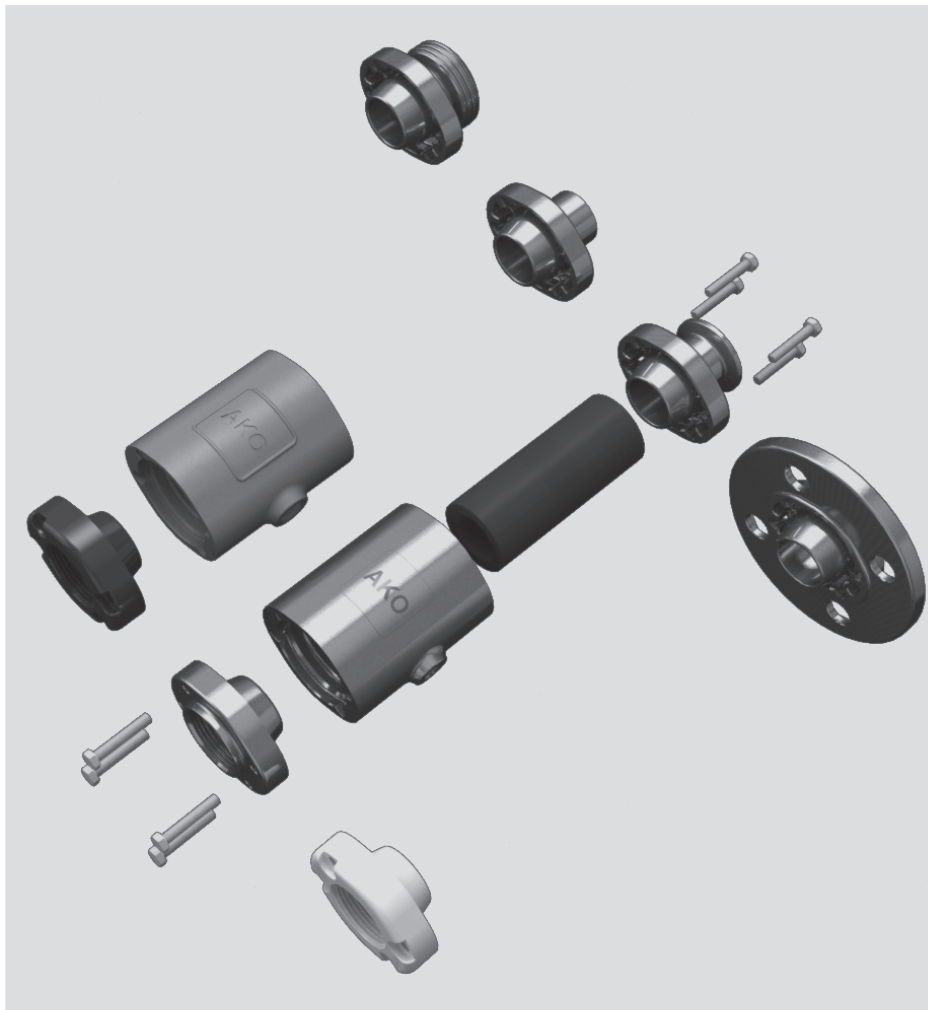


New!

Air operated Pinch Valve type VMC



Flange



Internal Thread



Tri-Clamp



Weld-on ends



Threaded spigot

▲ The flexible modular system for detachable and aseptic piping connections!

The ideal solution for isolation and regulation of solids of all kinds, suspensions, pastes, gaseous, fibrous and viscous media.

Advantages:

- Flexible modular system
- Various connection options
- Extremely compact
- Light weight
- Complete free passage
- No dead spots
- Easy maintenance and re-sleeving
- 100% tight shut off
- Competitive



Air operated Pinch Valve type VMC

Industrial areas:

- Food/ pharmaceutical/ beverage industry
- Chemical industry
- Pneumatic conveying systems
- Pigments and granules
- Ceramics/ glass/ plastic industry
- Extraction systems
- Dosing systems
- Filling and weighing systems
- Air venting systems
- etc.

Connection options:

[Flange Connection](#)

[Internal Thread Connection G / NPT](#)

[Tri-Clamp](#)

[Weld-on ends](#)

[Threaded spigot \(RJT Connection\)](#)

[Threaded hose nozzle Connection](#)

Aseptic /Hygienic Connection



Special, conductive models with a separate grounding system, suitable for use in areas at risk of explosions (EX) in zones 1, 2, 21 and 22, are also available.

The air operated Pinch Valves of VMC series fulfill all requirements of the Pressure Equipment Directive 97/23/EC.

Body:

Stainless steel 1.4408
 Aluminium AISi10Mg
 Plastic POM

Socket Connection:

Stainless steel 1.4404
 Plastic POM

Sleeves:

NR abrasion resistant, EPDM, NBR,
 CSM, CR, Silicone, FPM

Other materials on request.

Sleeves (FDA approved)

NR food quality, EPDM food quality,
 NBR food quality

Operating / medium pressure max.: ~ 6 bar

Differential pressure: 2-3.5 bar

Control / closing pressure max.: 8 bar

varies depending on diameter / sleeve

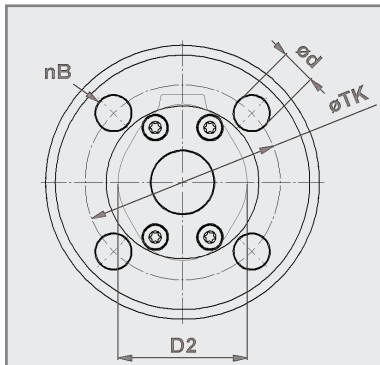
Technical details subject to change without notice.

AKO UK Ltd.

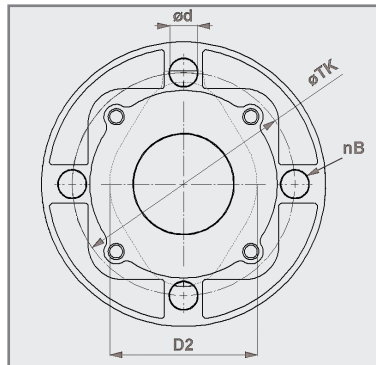
12 Rutherford Way, Drayton Fields Industrial Estate, Daventry, Northamptonshire NN11 8XW

Tel: 0 13 27 31 27 47 • Fax: 0 13 27 31 25 65 • E-mail: sales@ako-valves.com • Web: www.pinch-valve.com

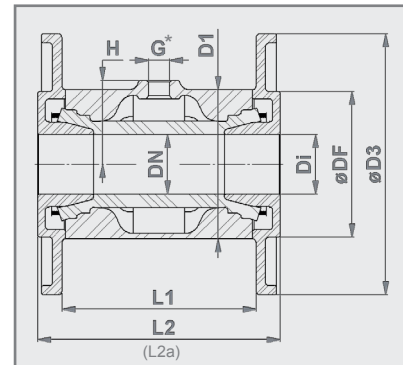
Air operated Pinch Valve - Flange connection (F)



DN25 - DN50



DN65 - DN100



* DIN EN ISO 228 "G"

Connection type:

Flange connection according to DIN EN 1092-1 PN10/16,
 DIN 11853-2 (BF) / 11864-2 form A (BF) (L2a) on request.

Body:

- Stainless steel 1.4408 (E)
- Aluminium AlSi10Mg (A)

Flange:

- Stainless steel 1.4404 (E)



Valve finish:

Stainless steel: Electropolished

Satin polished (brushed) Ra 0.3 on request.
 Wetted parts = Ra 0.5

Aluminium: Powder coated 60-80µm RAL 9006

DN / Di (mm)	D1 (mm)	D2 (mm)	ø D3 (mm)	ø DF (mm)	nB	ø d (mm)	ø TK (mm)	L1 (mm)	L2 (mm)	L2a (mm)	G (inch)	H (mm)	¹ vol. (l) (approx.)	weight (kg) (EE)	weight (kg) (AE)
25	72	57	115	68	4	14	85	96	125	213	G 1/8"	36,5	0,09	2,4	1,9
32	80	66	140	78	4	18	100	104	130	226	G 1/4"	45	0,13	2,9	2,3
40	90	77	150	88	4	18	110	119	155	280	G 1/4"	50	0,22	4,0	3,1
50	110	88	165	106	4	18	125	149	185	306	G 1/4"	60	0,36	5,8	4,4
65	139	102	185	122	4	18	145	133	170	264	G 1/4"	73,5	0,44	5,7	4,9
80	172	126	200	138	4	18	160	173	213	306	G 1/4"	90	0,88	7,6	6,5
100	198	141	220	158	8	18	180	220	264	357	G 1/4"	107	1,80	10,3	-

¹ Number of holes

¹ Volume = Control volume with closed sleeve

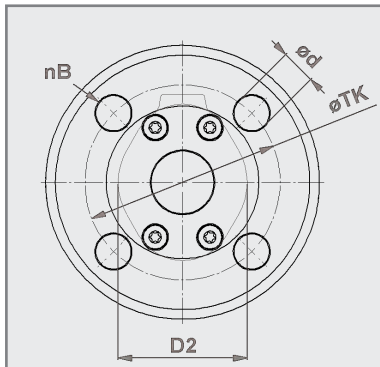
Technical details subject to change without notice.

AKO UK Ltd.

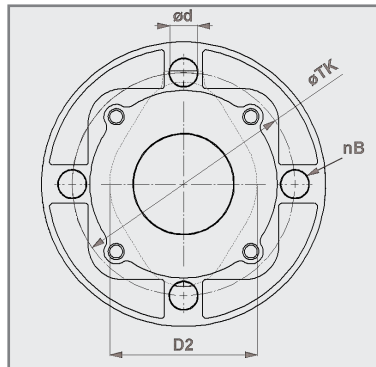
12 Rutherford Way, Drayton Fields Industrial Estate, Daventry, Northamptonshire NN11 8XW

Tel: 0 13 27 31 27 47 • Fax: 0 13 27 31 25 65 • E-mail: sales@ako-valves.com • Web: www.pinch-valve.com

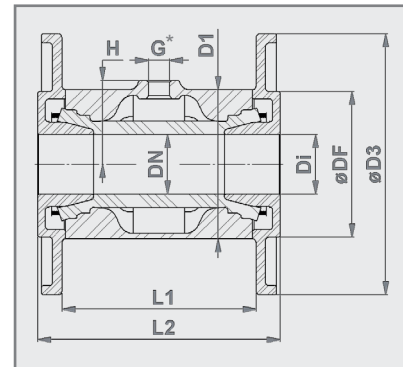
Air operated Pinch Valve - Flange connection (FA)



DN40 - DN50



DN65 - DN100



* ANSI/ASME B1.20.1 "NPT"

Connection type:

Flange connection according to ANSI B 16.5 / 150lbs

Body:

- Stainless steel 1.4408 (E)
- Aluminium AISi10Mg (A)

Flange:

- Stainless steel 1.4408 (E)
- Aluminium AISi10Mg with steel bushing (A)



Valve finish:

Stainless steel: Electropolished

Wetted parts = Ra 0.5

Aluminium: Powder coated 60-80µm RAL 9006

DN (mm)	Di (mm)	D1 (mm)	D2 (mm)	D3 (mm)	DF (mm)	nb	d (mm)	TK (mm)	L1 (mm)	L2 (mm) (EE/AE)	L2 (mm) (AA)	G (inch)	H (mm)	vol. (l) (approx.)	weight (kg) (EE)	weight (kg) (AE)	weight (kg) (AA)
40	40,9	90	77	127	90	4	15,7	98,6	120	155	155	G 1/4"	50	0,22	3,4	2,5	2,0
50	52,6	110	88	152,4	92	4	19,1	120,7	149	187	187	G 1/4"	60	0,36	5,3	3,9	3,2
65	62,7	139	102	177,8	105	4	19,1	139,7	133	178	174	G 1/4"	73,5	0,44	5,9	5,3	3,7
80	78	172	126	190,3	127	4	19,1	152,4	173	221	217	G 1/4"	90	0,88	8,1	7,1	4,8
100	102,4	203	146	228,6	157	8	19,1	190,5	224	272	268	G 1/4"	107	1,80	11,4	9,3	7,4

* Number of holes

† Volume = Control volume with closed sleeve

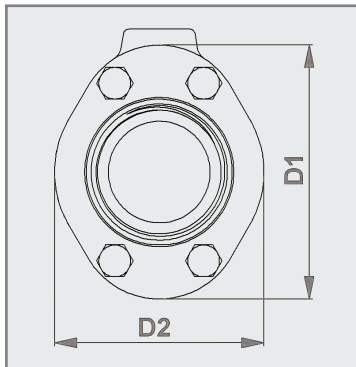
Technical details subject to change without notice.

AKO UK Ltd.

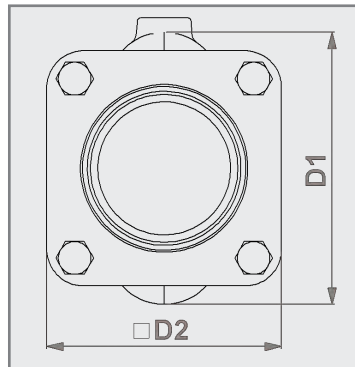
12 Rutherford Way, Drayton Fields Industrial Estate, Daventry, Northamptonshire NN11 8XW

Tel: 0 13 27 31 27 47 • Fax: 0 13 27 31 25 65 • E-mail: sales@ako-valves.com • Web: www.pinch-valve.com

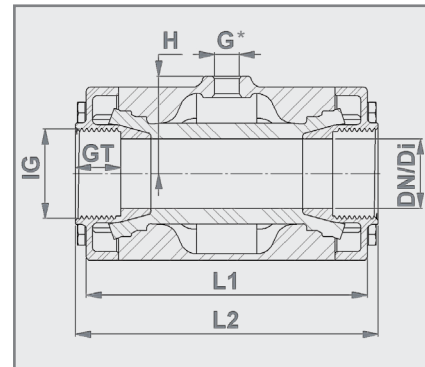
Air operated Pinch Valve - Internal Thread connection (G/N)



DN10 - DN50



DN65 - DN100




* DIN EN ISO 228 "G"


Connection type:

Internal Thread Connection according to DIN EN ISO 228 "G" or ANSI/ASME B1.20.1 "NPT"

Body:

- DN10-100: Stainless steel 1.4408 (E)
- DN20-100: Aluminium AISi10Mg (A)
- DN10-15: Plastic POM natural white (P)
- DN10-15: Plastic POM conductive (P) 

(Internal Thread) Socket ends:

- DN10-100: Stainless steel 1.4404 (E)
- DN20-50: Plastic POM natural white (P), FDA approved
- DN20-50: Plastic POM conductive (P) for hazardous areas 



Valve finish:

Stainless steel: Electropolished

Aluminium: Powder coated 60-80µm RAL 9006

DN / Di (mm)	D1 (mm)	D2 (mm)	IG (inch)	GT (mm)	L1 (mm)	L2 (mm)	G (inch)	H (mm)	¹ vol. (l) (approx)	weight (kg) (EE)	weight (kg) (AE)	weight (kg) (AP)	weight (kg) (PE)
10	46	35	G ³ / ₈ "	12	68	80	G 1/8"	23	0,03	0,5	-	-	0,2
15	56	47	G ¹ / ₂ "	15	85	95	G 1/8"	28	0,05	0,8	-	-	0,3
20	62	49	G ³ / ₄ "	17	93	103	G 1/8"	31,5	0,07	0,9	0,5	0,4	-
25	72	57	G1"	20	110	120	G 1/8"	36,5	0,09	1,3	0,8	0,5	-
32	80	66	G1 ¹ / ₄ "	21	130	140	G 1/4"	45	0,13	1,7	1,1	0,7	-
40	90	77	G1 ¹ / ₂ "	21	150	160	G 1/4"	50	0,22	2,4	1,5	1,1	-
50	110	88	G2"	25	175	185	G 1/4"	60	0,36	3,6	2,2	1,6	-
65	139	115	G2 ¹ / ₂ "	30	173	200	G 1/4"	73,5	0,44	4,1	3,3	-	-
80	172	133	G3"	33	213	230	G 1/4"	90	0,88	5,8	4,7	-	-
100	198	141	G4"	20	264	280	G 1/4"	107	1,80	9,0	6,9	-	-

¹ Volume = Control volume with closed sleeve

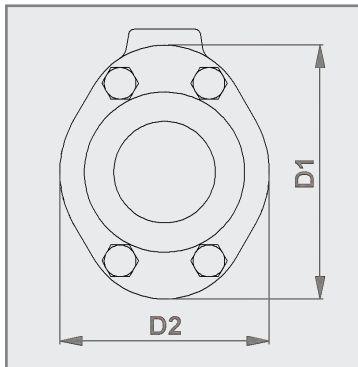
* Alternatively available is our K-variant → length = 150mm

Technical details subject to change without notice.

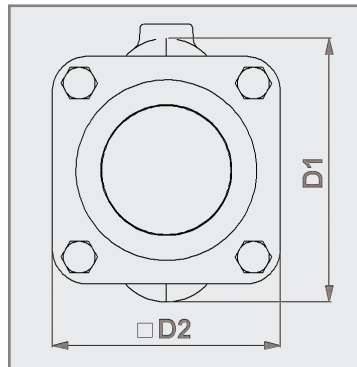
AKO UK Ltd.

12 Rutherford Way, Drayton Fields Industrial Estate, Daventry, Northamptonshire NN11 8XW
 Tel: 0 13 27 31 27 47 • Fax: 0 13 27 31 25 65 • E-mail: sales@ako-valves.com • Web: www.pinch-valve.com

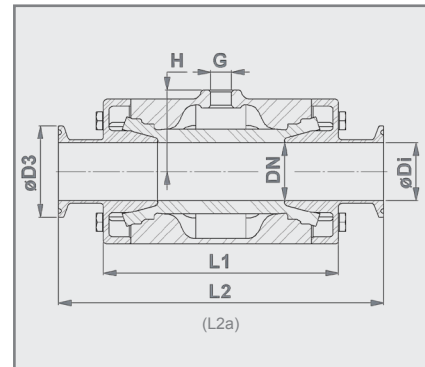
Air operated Pinch Valve - Tri-Clamp connection (T)



DN10 - DN50



DN65 - DN100




* DIN EN ISO 228 "G"

Connection type:

Tri-Clamp according to DIN 32676 row A,
 DIN 11853-3 (BKS) / 11864-3 form A (BKS) (L2a) on request.

Body:

- DN10-100: Stainless steel 1.4408 (E)
- DN20-100: Aluminium AlSi10Mg (A)
- DN10-15: Plastic POM natural white (P)
- DN10-15: Plastic POM conductive (P) 

Tri-Clamp Connection:

- DN10-100: Stainless steel 1.4404 (E)



Valve finish:

Stainless steel: Electropolished
 Satin polished (brushed) Ra 0.3 on request.
 Wetted parts = Ra 0.5

Aluminium: Powder coated 60-80µm RAL 9006

Valve face to face length:

DN10: Acc. to DIN EN 558 row 27
 DN15-50: Acc. to DIN EN 558 row 1
 DN 65-80: Acc. to DIN EN 558 row 7

DN (mm)	ø Di (mm)	D1 (mm)	D2 (mm)	ø D3 (mm)	L1 (mm)	L2 (mm)	L2a (mm)	G (inch)	H (mm)	¹ vol. (l) (approx.)	weight (kg) (EE)	weight (kg) (AE)	weight (kg) (PE)
10	10	46	35	34	68	115	159	G 1/8"	23	0,03	0,5	-	0,3
15	16	56	47	34	85	130	184	G 1/8"	28	0,05	0,9	-	0,4
20	20	62	49	34	93	150	196	G 1/8"	31	0,07	1,0	0,6	-
25	26	72	57	50,50	110	160	209	G 1/8"	36	0,09	1,5	1,0	-
32	32	80	66	50,50	130	180	226	G 1/4"	45	0,13	1,9	1,3	-
40	38	90	77	50,50	150	200	238	G 1/4"	50	0,22	2,6	1,7	-
50	50	110	88	64	175	230	265	G 1/4"	60	0,36	3,9	2,5	-
65	66	139	115	91	173	216	269	G 1/4"	73,5	0,44	4,3	3,6	-
80	81	172	133	106	213	254	311	G 1/4"	90	0,88	6,2	5,0	-
100	100	198	141	119	264	305	365	G 1/4"	107	1,80	9,4	7,3	-

¹ Volume = Control volume with closed sleeve

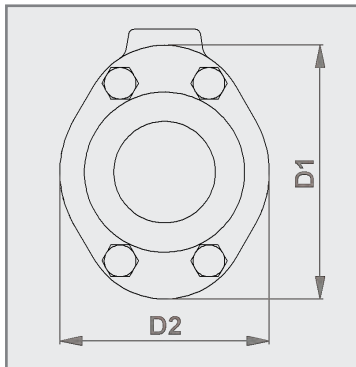
Technical details subject to change without notice.

AKO UK Ltd.

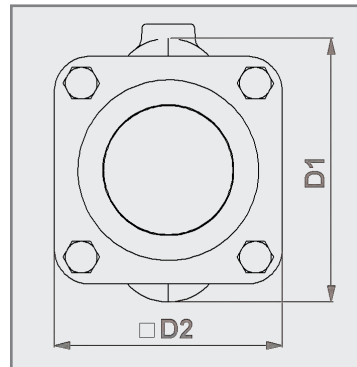
12 Rutherford Way, Drayton Fields Industrial Estate, Daventry, Northamptonshire NN11 8XW

Tel: 0 13 27 31 27 47 • Fax: 0 13 27 31 25 65 • E-mail: sales@ako-valves.com • Web: www.pinch-valve.com

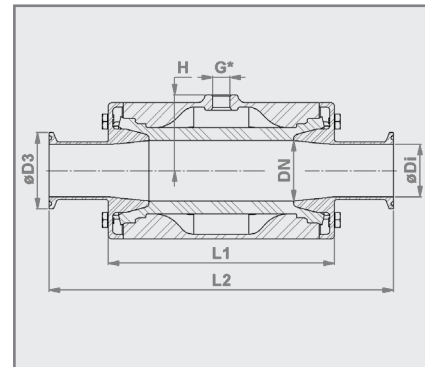
Air operated Pinch Valve - Tri-Clamp connection (TA)



DN10 - DN50



DN65 - DN100




* DIN EN ISO 228 "G"

Connection type:

Tri-Clamp according to DIN 32676 row C

Body:

- DN10-100: Stainless steel 1.4408 (E)
- DN20-100: Aluminium AISi10Mg (A)
- DN10-15: Plastic POM natural white (P)
- DN10-15: Plastic POM conductive (P) 

Tri-Clamp Connection:

- DN10-100: Stainless steel 1.4404 (E)



Valve finish:

Stainless steel: Electropolished

Satin polished (brushed) Ra 0.3 on request.
Wetted parts = Ra 0.5

Aluminium: Powder coated 60-80µm RAL 9006

Valve face to face length:

DN10: Acc. to DIN EN 558 row 27

DN15-50: Acc. to DIN EN 558 row 1

DN 65-80: Acc. to DIN EN 558 row 7

DN (mm)	ø Di (mm)	D1 (mm)	D2 (mm)	ø D3 (mm)	L1 (mm)	L2 (mm)	L2 (inch)	G (inch)	H (mm)	¹ vol. (l) (approx.)	weight (kg) (EE)	weight (kg) (AE)	weight (kg) (PE)
10	7,75	46	35	25	68	114,3	4,5	G 1/8"	23	0,03	0,5	-	0,3
15	9,4	56	47	25	85	139,7	5,5	G 1/8"	28	0,05	0,8	-	0,4
20	15,75	62	49	25	93	152,4	6	G 1/8"	31	0,07	1,0	0,6	-
25	22,10	72	57	50,50	110	152,4	6	G 1/8"	36	0,09	1,5	1,0	-
40	34,8	90	77	50,50	150	228,6	9	G 1/4"	50	0,22	2,7	1,9	-
50	47,50	110	88	64	175	228,6	9	G 1/4"	60	0,36	4,0	2,6	-
65	60,20	139	115	77,50	173	228,6	9	G 1/4"	73,5	0,44	4,6	3,9	-
80	72,90	172	133	91	213	304,8	12	G 1/4"	90	0,88	6,4	5,3	-
100	97,38	198	141	119	264	355,6	14	G 1/4"	107	1,80	9,7	7,7	-

¹ Volume = Control volume with closed sleeve

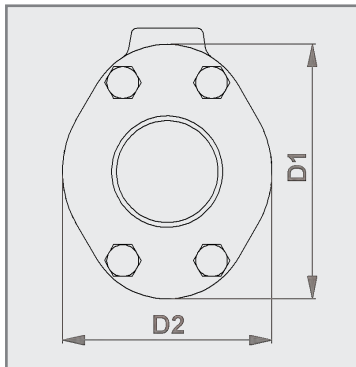
Technical details subject to change without notice.

AKO UK Ltd.

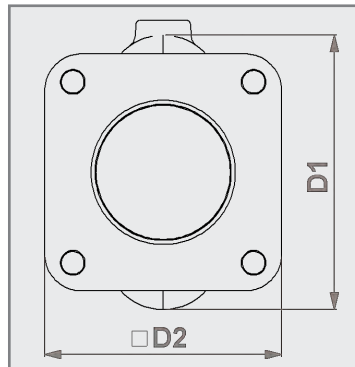
12 Rutherford Way, Drayton Fields Industrial Estate, Daventry, Northamptonshire NN11 8XW

Tel: 0 13 27 31 27 47 • Fax: 0 13 27 31 25 65 • E-mail: sales@ako-valves.com • Web: www.pinch-valve.com

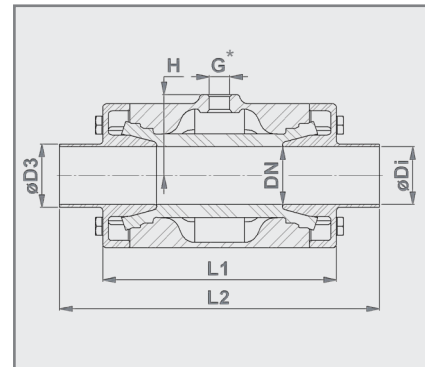
Air operated Pinch Valve - Weld-on ends (R)



DN10 - DN50



DN65 - DN100




* DIN EN ISO 228 "G"

Connection type:

Weld-on ends according to DIN 11850 row 2

Body:

- DN10-100: Stainless steel 1.4408 (E)
- DN20-100: Aluminium AlSi10Mg (A)
- DN10-15: Plastic POM natural white (P)
- DN10-15: Plastic POM conductive (P) 

Weld-on ends:

- DN10-100: Stainless steel 1.4404 (E)



Valve finish:

Stainless steel: Electropolished

Satin polished (brushed) Ra 0.3 on request.
Wetted parts = Ra 0.5

Aluminium: Powder coated 60-80µm RAL 9006

Valve face to face length:

DN 10: Acc. to DIN EN 558 row 27

DN 15-50: Acc. to DIN EN 12982 row 61

DN 65-80: Acc. to DIN EN 558 row 7

DN (mm)	ø Di (mm)	D1 (mm)	D2 (mm)	ø D3 (mm)	L1 (mm)	L2 (mm)	G (inch)	H (mm)	¹ vol. (l) (approx.)	weight (kg) (EE)	weight (kg) (AE)	weight (kg) (PE)
10	10	46	35	13x1,5	68	115	G 1/8"	23	0,03	0,5	-	0,3
15	16	56	47	19x1,5	85	140	G 1/8"	28	0,05	0,8	-	0,4
20	20	62	49	23x1,5	93	152	G 1/8"	31	0,07	1,0	0,6	-
25	26	72	57	29x1,5	110	165	G 1/8"	36	0,09	1,4	0,9	-
32	32	80	66	35x1,5	130	178	G 1/4"	45	0,13	1,9	1,2	-
40	38	90	77	41x1,5	150	190	G 1/4"	50	0,22	2,5	1,6	-
50	50	110	88	53x1,5	175	216	G 1/4"	60	0,36	3,8	2,5	-
65	66	139	115	70x2	173	216	G 1/4"	73,5	0,44	4,2	3,4	-
80	81	172	133	85x2	213	254	G 1/4"	90	0,88	6,0	4,9	-
100	100	198	141	104x2	264	305	G 1/4"	107	1,80	9,3	7,2	-

¹ Volume = Control volume with closed sleeve

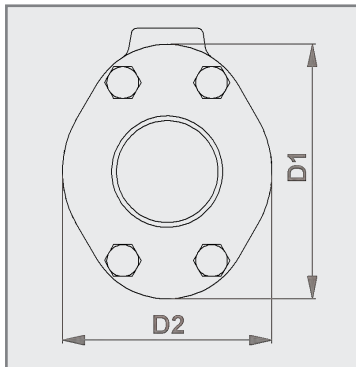
Technical details subject to change without notice.

AKO UK Ltd.

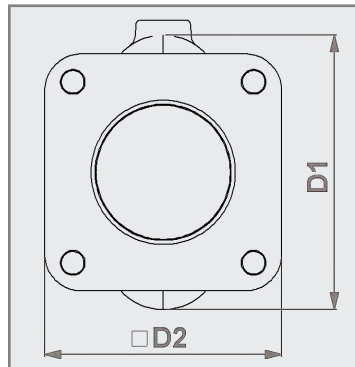
12 Rutherford Way, Drayton Fields Industrial Estate, Daventry, Northamptonshire NN11 8XW

Tel: 0 13 27 31 27 47 • Fax: 0 13 27 31 25 65 • E-mail: sales@ako-valves.com • Web: www.pinch-valve.com

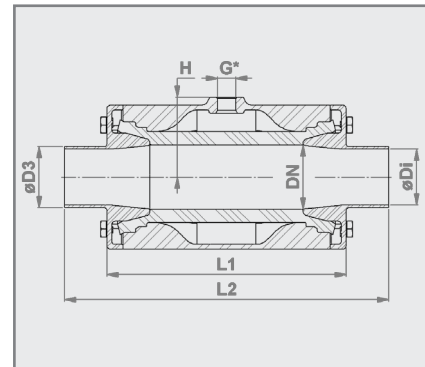
Air operated Pinch Valve - Weld-on ends (RA)



DN10 - DN50



DN65 - DN100




* DIN EN ISO 228 "G"

Connection type:

Weld-on ends according to ASTM A554

Body:

- DN10-100: Stainless steel 1.4408 (E)
- DN20-100: Aluminium AISi10Mg (A)
- DN10-15: Plastic POM natural white (P)
- DN10-15: Plastic POM conductive (P) 



Weld-on ends:

- DN10-100: Stainless steel 1.4404 (E)

Valve finish:

Stainless steel: Electropolished

Satin polished (brushed) Ra 0.3 on request.
Wetted parts = Ra 0.5

Aluminium: Powder coated 60-80µm RAL 9006

Valve face to face length:

DN 10: Acc. to DIN EN 558 row 27

DN 15-50: Acc. to DIN EN 12982 row 61

DN 65-80: Acc. to DIN EN 558 row 7

DN (mm)	ø Di (mm)	D1 (mm)	D2 (mm)	ø D3 (mm)	L1 (mm)	L2 (mm)	L2 (inch)	G (inch)	H (mm)	¹ vol. (l) (approx.)	weight (kg) (EE)	weight (kg) (AE)	weight (kg) (PE)
10	7,75	46	35	9,53	68	101,6	4	G 1/8"	23	0,03	0,5	-	0,2
15	9,40	56	47	12,70	85	127,0	5	G 1/8"	28	0,05	0,8	-	0,4
20	15,75	62	49	19,05	93	152,4	6	G 1/8"	31	0,07	1,0	0,6	-
25	22,10	72	57	25,40	110	152,4	6	G 1/8"	36	0,09	1,5	0,9	-
40	34,80	90	77	38,10	150	203,2	8	G 1/4"	50	0,22	2,6	1,7	-
50	47,50	110	88	50,80	175	228,6	9	G 1/4"	60	0,36	3,9	2,5	-
65	60,20	139	115	63,50	173	228,6	9	G 1/4"	73,5	0,44	4,3	3,5	-
80	72,90	172	133	76,20	213	279,4	11	G 1/4"	90	0,88	6,2	5,1	-
100	97,38	198	141	101,60	264	330,2	13	G 1/4"	107	1,80	9,6	7,5	-

¹ Volume = Control volume with closed sleeve

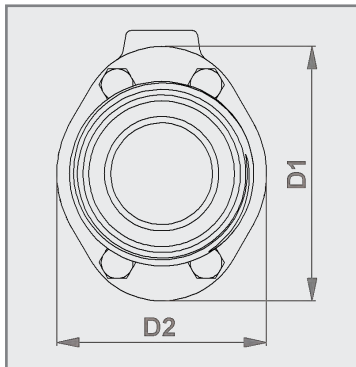
Technical details subject to change without notice.

AKO UK Ltd.

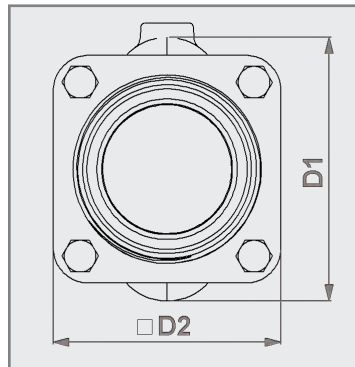
12 Rutherford Way, Drayton Fields Industrial Estate, Daventry, Northamptonshire NN11 8XW

Tel: 0 13 27 31 27 47 • Fax: 0 13 27 31 25 65 • E-mail: sales@ako-valves.com • Web: www.pinch-valve.com

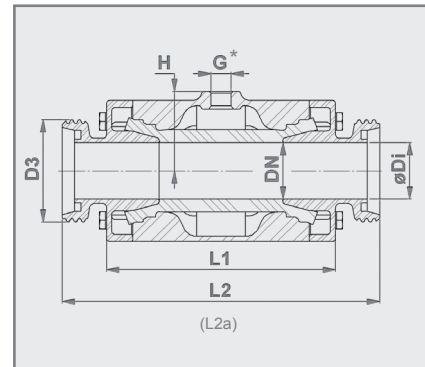
Air operated Pinch Valve - Threaded spigot (M)



DN10 - DN50



DN65 - DN100




* DIN EN ISO 228 "G"

Connection type:

Threaded spigot according to DIN 11851,
 DIN 11853-1 (GS) / 11864-1 form A (GS) (L2a) on request.

Body:

- DN10-100: Stainless steel 1.4408 (E)
- DN20-100: Aluminium AISi10Mg (A)
- DN10-15: Plastic POM natural white (P)
- DN10-15: Plastic POM conductive (P) 

Threaded spigot:

- DN10-100: Stainless steel 1.4404 (E)



Valve finish:

Stainless steel: Electropolished
 Satin polished (brushed) Ra 0.3 on request.
 Wetted parts = Ra 0.5

Aluminium: Powder coated 60-80µm RAL 9006

Valve face to face length:

DN 10: Acc. to DIN EN 558 row 27
 DN 15-50: Acc. to DIN EN 558 row 1

DN (mm)	ø Di (mm)	D1 (mm)	D2 (mm)	D3	G (inch)	H (mm)	L1 (mm)	L2 (mm)	L2a (mm)	¹ vol. (l) (approx.)	weight (kg) (EE)	weight (kg) (AE)	weight (kg) (PE)
10	10	46	35	Rd28x1/8"	G 1/8"	23	68	115	153	0,03	0,5	-	0,3
15	16	56	47	Rd34x1/8"	G 1/8"	28	85	130	178	0,05	0,9	-	0,4
20	20	62	49	Rd44x1/6"	G 1/8"	31	93	150	194	0,07	1,1	0,7	-
25	26	72	57	Rd52x1/6"	G 1/8"	36	110	160	217	0,09	1,6	1,1	-
32	32	80	66	Rd58x1/6"	G 1/4"	45	130	180	238	0,13	2,1	1,5	-
40	38	90	77	Rd65x1/6"	G 1/4"	50	150	200	252	0,22	2,8	1,9	-
50	50	110	88	Rd78x1/6"	G 1/4"	60	175	230	278	0,36	4,2	2,9	-
65	66	139	115	Rd95x1/6"	G 1/4"	73,5	173	296	288	0,44	4,9	4,1	-
80	81	172	133	Rd110x1/4"	G 1/4"	90	213	344	338	0,88	7,0	5,9	-
100	100	198	141	Rd130x1/4"	G 1/4"	107	264	413	405	1,80	10,6	8,5	-

¹ Volume = Control volume with closed sleeve

Technical details subject to change without notice.

AKO UK Ltd.

12 Rutherford Way, Drayton Fields Industrial Estate, Daventry, Northamptonshire NN11 8XW
 Tel: 0 13 27 31 27 47 • Fax: 0 13 27 31 25 65 • E-mail: sales@ako-valves.com • Web: www.pinch-valve.com