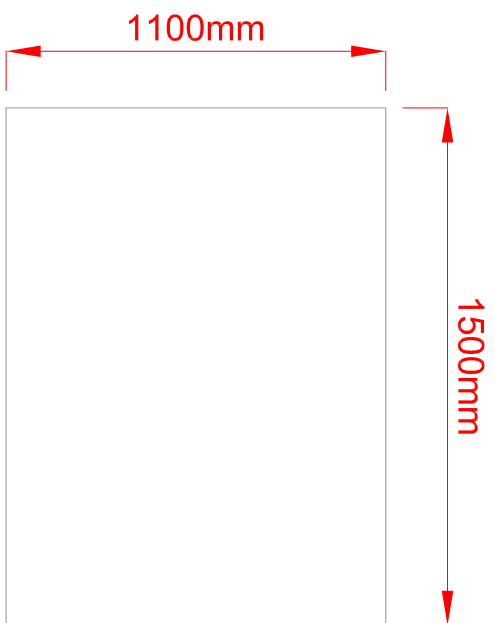
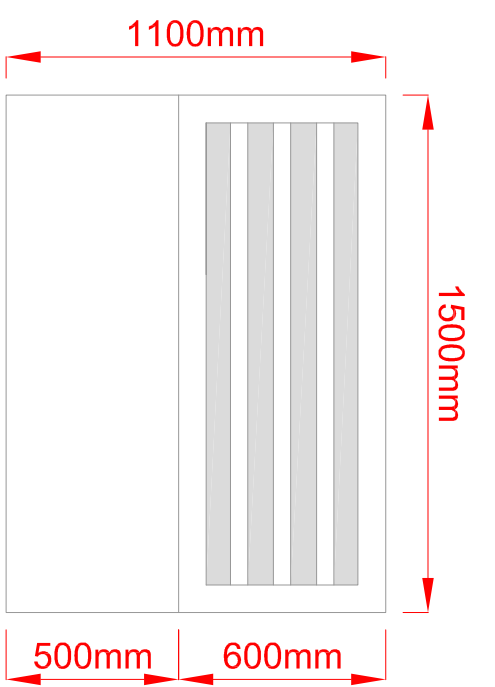


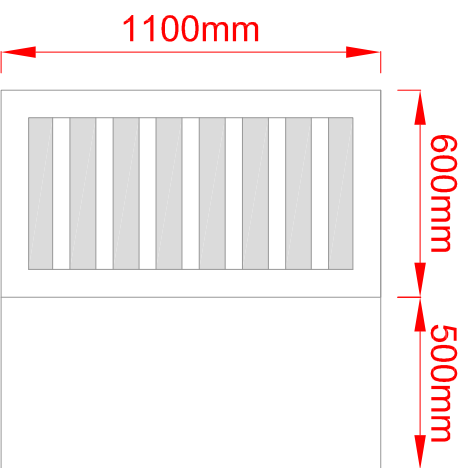
Front Elevation



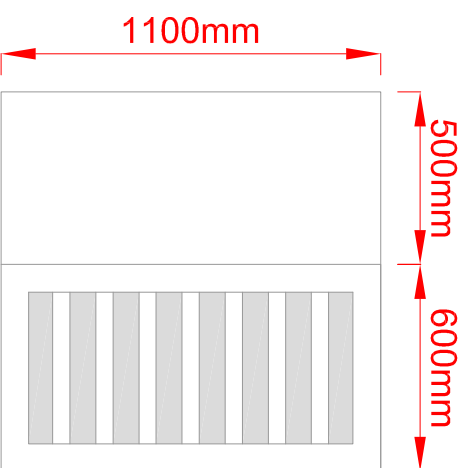
Rear Elevation



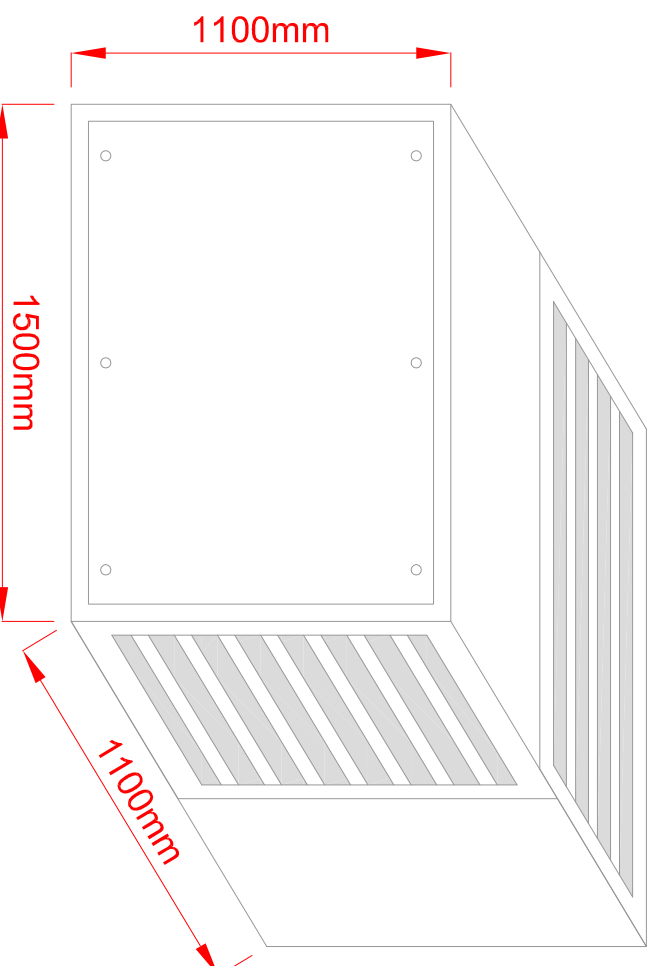
Plan View



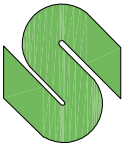
Right Elevation



Left Elevation



3D Schematic

Rev	Amendment	Date	Project:	Scale:	N.T.S	Date:	10/07/13	 <p>Sound Planning Limited Farnham Surrey</p> <p>Phone: 01252 711972 Fax: 01252 601083 Email: enquiries@soundplanning.co.uk</p>
	Notes			Title:	Drawn:	B.Walker		
No scaling permitted from this drawing. All dimensions shown to be verified prior to construction / manufacture.				Quiet Box IV	Drawing No:	QB4		