

Uniclass L384:D32	EPIC C441
CI/SfB 32 (22.3) X	



Partitioning Systems

Love the space you're in.

Specialist expertise

Komfort specialise in the design and production of commercial glazed and solid partitioning (including demountable), laminate & veneered doors, movable walls and storage wall.

As the UK's leading supplier of partitioning systems, we provide solutions to the commercial interiors sector which range from traditional design to modern contemporary styles. All our systems are compliant with current building regulations and suitable for any office fit-out or refurbishment.

As part of our continuing commitment to delivering exceptional service we offer specialist expertise in the following areas:

Structural strength, fire and acoustic performance

To guarantee the safest and widest product offering in the UK's commercial interiors sector and provide peace of mind, we operate an uncompromising programme of product testing.

Our glazed and solid, fire and non-fire rated partitioning and doors are independently tested at authorised laboratories in accordance with the relevant British Standard.

Technical knowledge

Through our long term product research, development and experience supplying complex and large projects, we have established an unrivalled understanding of the needs of the contractor and end user.

Our logistics expertise, scaled with dedicated project management, supports monitoring manufacturer deadlines and schedules from order through to production and delivery.

Ongoing investment

We invest in extensive stock to ensure the widest selection of products, supported by specialist distribution to offer delivery in consolidated loads, thereby reducing disruption and minimising environmental impact.

Tooling and manufacturing facilities

Our extensive ongoing investment, means we are able to deliver cost effective, high quality products under-pinned by continual enhancements to service.

- Full accreditation to BS EN ISO 9001, 14001 and OHSAS 18001.
- Full IFC certification for FD30 and FD60 30 and 60 minute fire rated doors and door kits.
- FSC certification.
- NBS Plus clauses.
- BRE Green Guide/Ska rating A and A+.

Outstanding service

Our portfolio of support services is available throughout the duration of the project and includes:

- Estimates
- Technical support and guidance
- Web accessible technical documentation including junction drawings in CAD and PDF formats
- Certification and installation statements
- Sales support
- Site surveys for glass and blinds
- Product installation training
- NBS specifications
- Dedicated specifiers support line
- RIBA approved CPD seminars

Our products

Partitioning Systems

- Ls90
- Single/Double Glazed Polar
- Polar Vision
- PolarTec
- Polar 100
- Klassic
- Komfire 75 & 100
- Kameo 75
- 600 Series
- KM³ Storgewall
- Movable Walls 80 & 200

Doors

- Veneered
- Glass
- Laminate
- Door Furniture

SwitchGlass

Blinds & Graphics

Manifestation

Solar Control & Safety Films

Architectural Glass & Firescreens

Washrooms

Easi-Klix Access Panels

Creating a workspace and looking for project inspiration?

Komfort has showrooms located in London, Leeds and Scotland which are used by architects, designers and contractors.

To find out more or arrange a visit, email general@komfort.com

Partitioning Systems

Contents

04	600 Series
14	Kameo 75
24	Komfire 75
34	Komfire 100
44	Klassic
54	Polar Partitioning
IBC	Partitioning Performance Comparison Chart



Faceted single glazed 600 Series
partitioning using O posts to create
varying angles



600 Series

Komfort partitioning product comparison chart can be
found on the inside back cover of this brochure

Single glazed 600 Series
with banded manifestation








600 Series

Full height single glazed 600 Series partitioning with standard height glass door

600 Series

600 Series is an aluminium 50mm framed system with vertical post variations for height up to 6 metres

Technical spec at a glance

-  **DIMENSIONS:**
Up to 6000mm high (subject to upright post)
-  **FIRE RATINGS:**
N/A
-  **ACOUSTICS:**
Solid - up to 31dB (Rw)
Double Glazed - up to 40dB (Rw)
-  **STRUCTURE:**
Light duty
-  **WEIGHT Per m² (kg):**
Solid up to 31.59
Glazed up to 35.22
-  **BLINDS:**
Yes - integral
-  **MANIFESTATION:**
Yes

Detailed 600 Series drawings can be found on pages 12-13. In addition a partitioning product comparison chart can be found on the inside back cover of this brochure.

For further technical specifications and technical drawing downloads go to - www.komfort.com

Full height glazed and solid 600 Series partitioning with doorframe, timber door and solid overpanel



Uncomplicated in design, 600 Series is slim line with a choice of crisp angular or soft radiused profiles. Through a little creativity it can evolve from a functional system, suiting most applications, to stamp its mark as a design statement.

600 Series



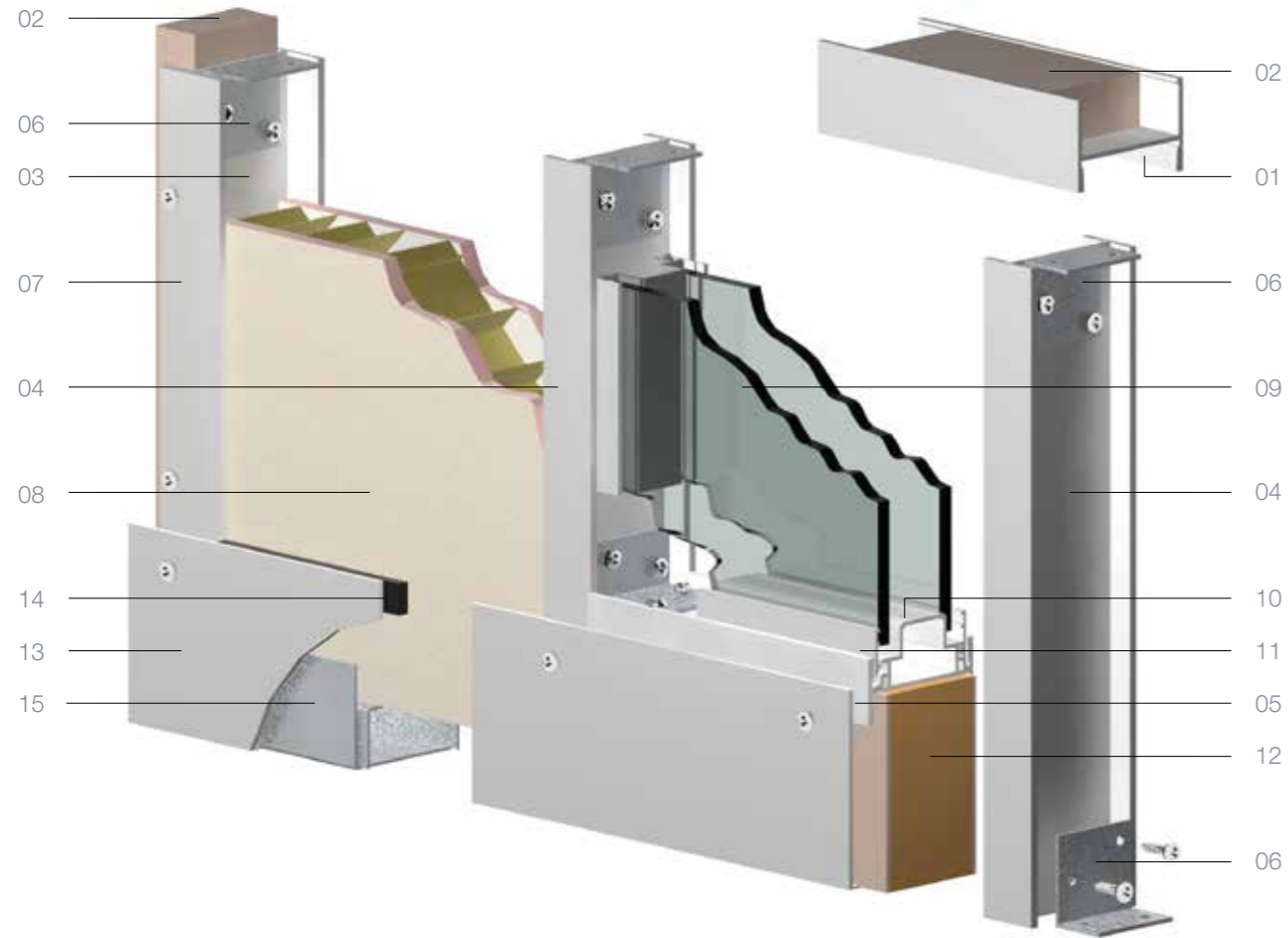
Freestanding 600 Series partitioning with glass door



135° posts to create a faceted corridor with solid and transom glazed partitioning

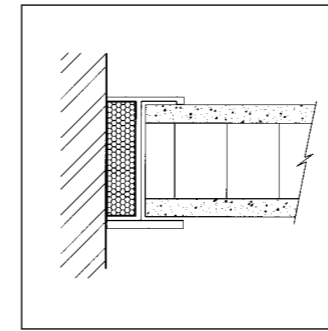


Single glazed 600 Series with vibrant banded manifestation

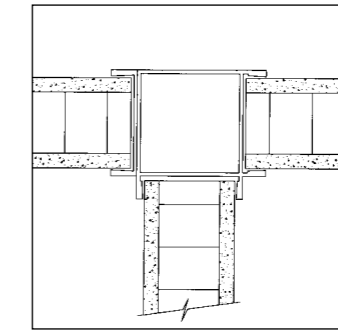


600 Series - 50mm partitioning system

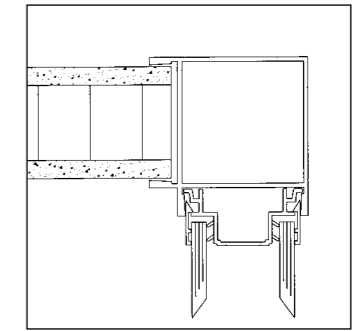
- | | |
|--------------------|------------------------------|
| 01 Head channel | 09 6mm or 6.4mm safety glass |
| 02 Abutment seal | 10 Double glazing chair |
| 03 Break down post | 11 Glazing Bead |
| 04 Upright post | 12 Flaxcore strip ground |
| 05 Transom | 13 75mm or 100mm Skirting |
| 06 Fixing bracket | 14 Skirting foam seal |
| 07 Flat strip | 15 2 Part floor shoe |
| 08 46mm Kompanel | |



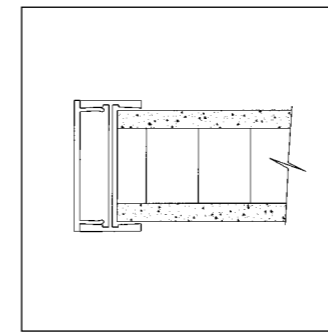
Solid abutment



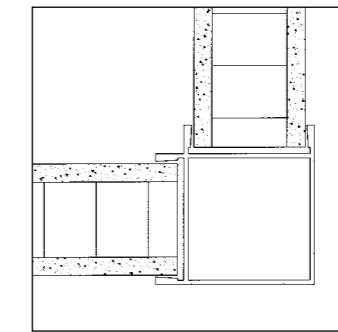
3 way solid junction



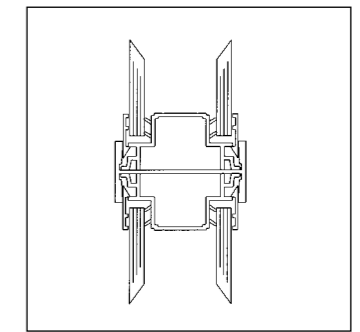
90° solid to glazed junction



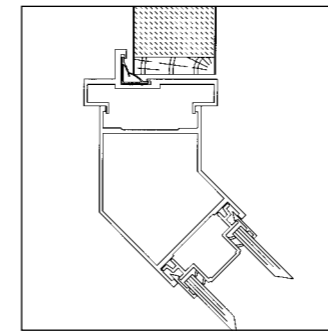
Solid fair end



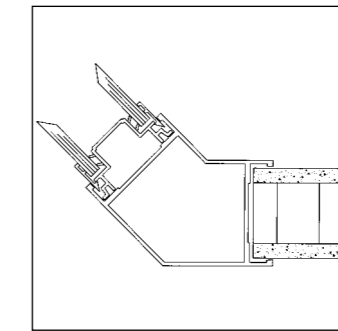
90° solid to solid junction



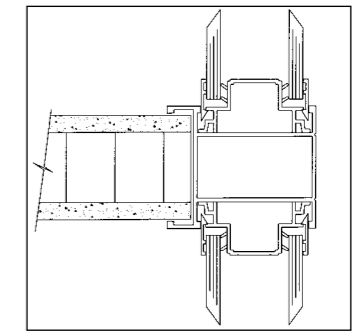
Glazed to glazed junction



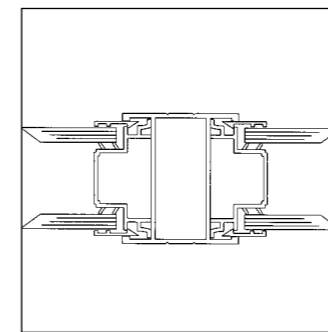
135° glazed to doorset junction



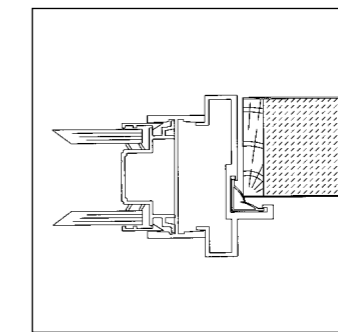
135° solid to glazed junction



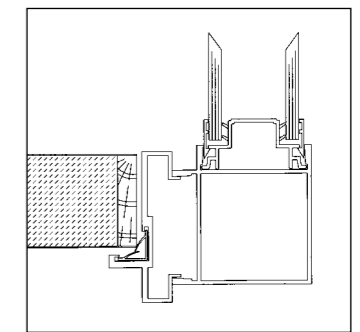
3 way glazed to solid to glazed junction



Alternative glazed to glazed junction



Glazed to doorset junction



90° glazed to doorset junction

These drawings are for guidance only. For comprehensive information please contact our technical department

Solid and glazed Kameo 75 with signature radiused corners and integral blinds within the glazing



Kameo 75



Komfort partitioning product comparison chart can be found on the inside back cover of this brochure

Solid and glazed Kameo 75
incorporating integral blinds
and veneered doors

Kameo 75




Full height Kameo 75
featuring Mirage gravity
hung panels

Kameo 75


Kameo 75 is a 75mm radius edge trim system in a steel stud and plasterboard construction with pre-assembled window frames


Technical spec at a glance


 **DIMENSIONS:**
Up to 4300mm (solid)

 **FIRE RATINGS:**
Up to 30/0

 **ACOUSTICS:**
Solid - up to 46dB (Rw)
Double Glazed - up to 41dB (Rw)

 **STRUCTURE:**
Up to medium duty

 **WEIGHT Per m² (kg):**
Solid up to 24.47
Glazed up to 39.04

 **BLINDS:**
Yes - integral

 **MANIFESTATION:**
Yes

Detailed Kameo 75 drawings can be found on pages 22-23. In addition a partitioning product comparison chart can be found on the inside back cover of this brochure.

For further technical specifications and technical drawing downloads go to - www.komfort.com

Full height solid and glazed Kameo 75 with signature radiused corners and banded manifestation to the glass

With its smooth and gently contoured form together with accomplished performance, Kameo 75 creates both serene and dynamic schemes.

Kameo 75



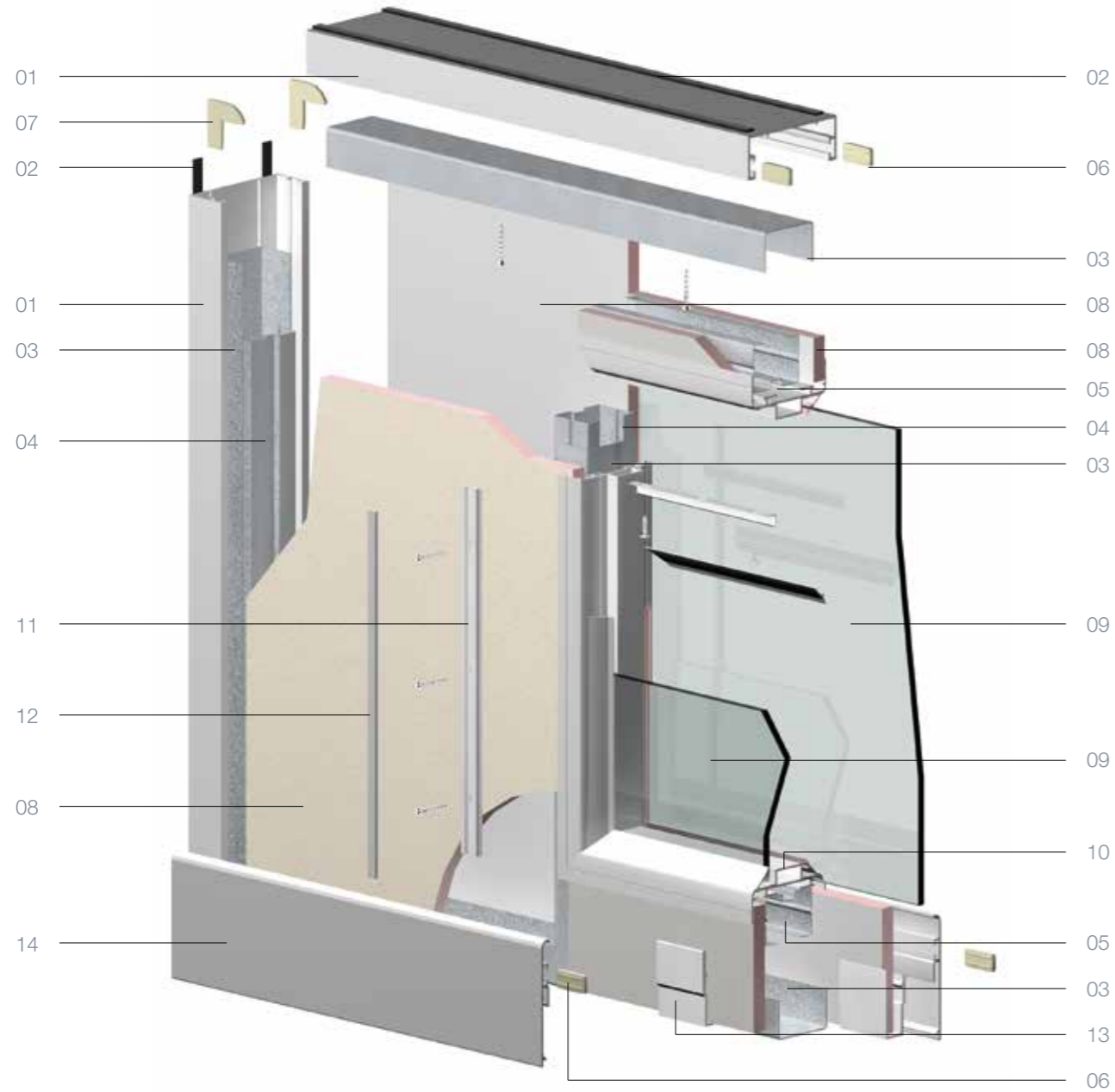
Full height solid and glazed Kameo 75 with full height veneered doors



Full height glazed Kameo 75 with integral blinds and Kameo 75 double doorframe featuring veneered doors



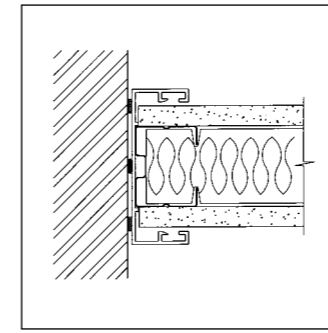
Solid and glazed Kameo 75 with signature radiused corners and integral blinds within the glazing creating individual offices



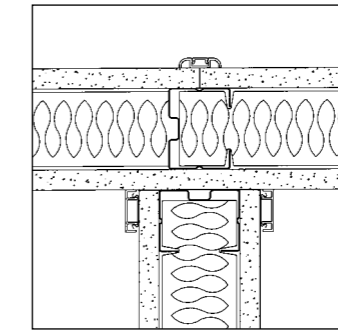
Kameo 75 - 75mm single skin partitioning system

- | | | |
|----------------------------|---|-------------------|
| 01 Head / abutment channel | 08 12.5mm plasterboard | 14 100mm skirting |
| 02 Abutment seal | 09 6mm / 6.4mm safety glass or fire glass | |
| 03 Steel head / base track | 10 Pre-assembled window frame | |
| 04 Steel vertical stud | 11 Cover trim | |
| 05 Steel stud transom | 12 UPVc infill | |
| 06 Straight jointing cleat | 13 Skirting clip | |
| 07 90° jointing cleat | | |

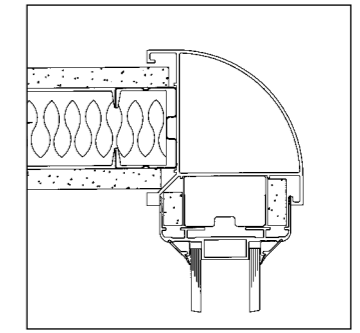
Note: For clarity the cavity infill has not been shown



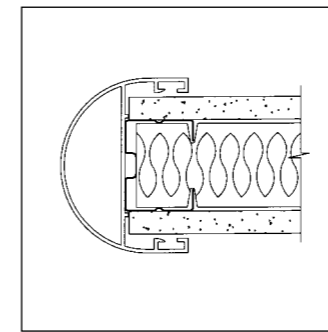
Solid abutment



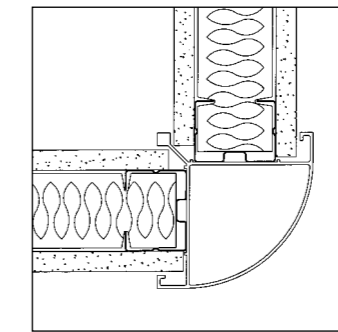
3 way solid junction



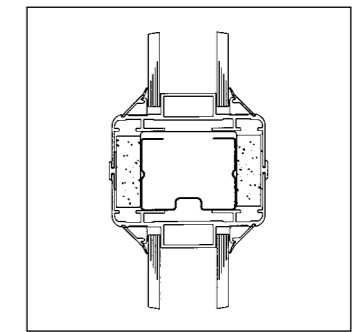
90° solid to glazed junction



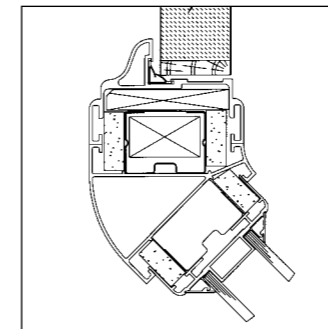
Solid fair end



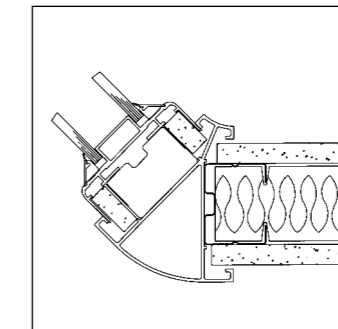
90° solid to solid junction



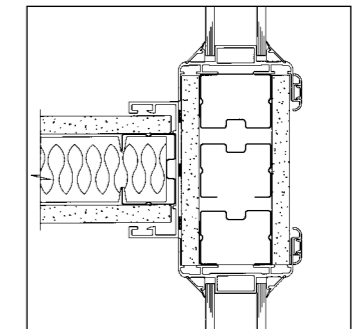
Glazed to glazed junction



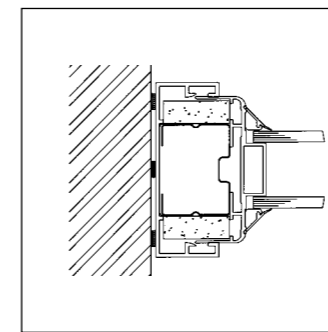
135° glazed to doorset junction



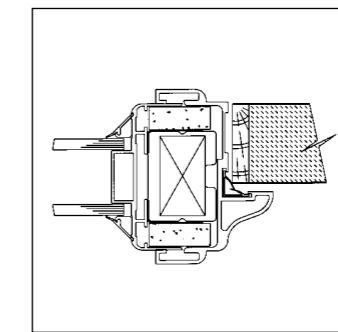
135° solid to glazed junction



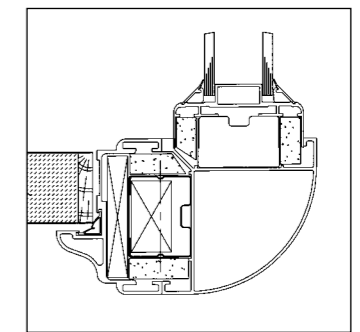
3 way glazed to solid to glazed junction



Glazed abutment



Glazed to doorset junction



90° glazed to doorset junction

These drawings are for guidance only. For comprehensive information please contact our technical department

Full height faceted glazed
Komfire 75 with integral blinds



Komfire 75

Komfort partitioning product comparison chart can be found on the inside back cover of this brochure

Full height glazed Komfire 75 incorporating
integral blinds, doorframes, veneered doors
and porthole vision panels

Komfire 75



Full height solid Komfire 75 incorporating full height pre-assembled windows and veneered doors

Komfire 75

Komfire 75 is a 75mm square edge trim system in a steel stud and plasterboard construction with pre-assembled window frames

Technical spec at a glance

-  **DIMENSIONS:**
Up to 4300mm (Solid)
-  **FIRE RATINGS:**
Up to 30/0
-  **ACOUSTICS:**
Solid - up to 43dB (Rw)
Double Glazed - up to 41dB (Rw)
-  **STRUCTURE:**
Up to medium duty
-  **WEIGHT Per m² (kg):**
Solid up to 24.47
Glazed up to 39.04
-  **BLINDS:**
Yes - Integral
-  **MANIFESTATION:**
Yes

Detailed Komfire 75 drawings can be found on pages 32-33. In addition a partitioning product comparison chart can be found on the inside back cover of this brochure.

For further technical specifications and technical drawing downloads go to - www.komfort.com

Full height glazed and solid Komfire 75 with bespoke manifestation



Durable and simple to maintain and install, Komfire 75 sets the standards of partition form and function. That is why it is the UK's most popular partitioning system.

Komfire 75



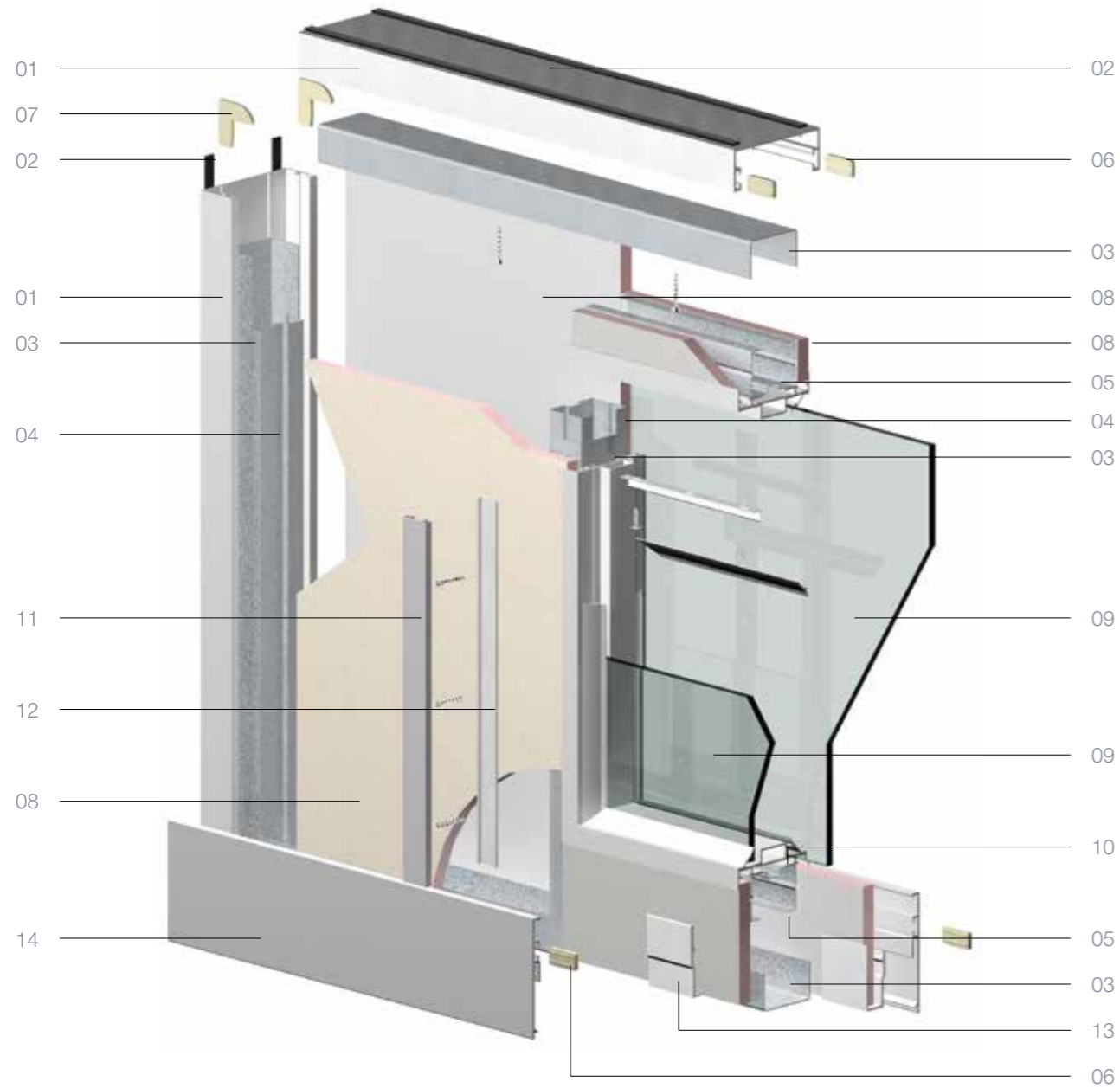
Glazed Komfire 75 incorporating integral blinds and veneered door with Part M compliant vision panel



Full height solid Komfire 75 with standard height glazing and doors



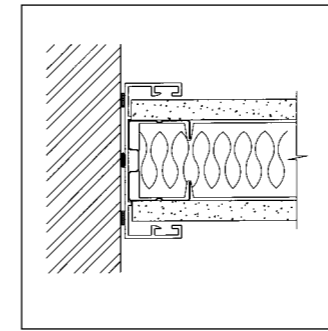
Full height solid and glazed Komfire 75 incorporating banded manifestation with standard height veneered doors



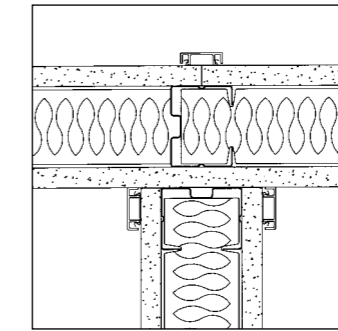
Komfire 75 - 75mm single skin partitioning system

- | | | |
|----------------------------|---|-------------------|
| 01 Head / abutment channel | 08 12.5mm plasterboard | 14 100mm skirting |
| 02 Abutment seal | 09 6mm/6.4mm safety glass or fire glass | |
| 03 Steel head / base track | 10 Pre-assembled window frame | |
| 04 Steel vertical stud | 11 Cover trim | |
| 05 Steel stud transom | 12 Steel batten | |
| 06 Straight jointing cleat | 13 Skirting clip | |
| 07 90° jointing cleat | | |

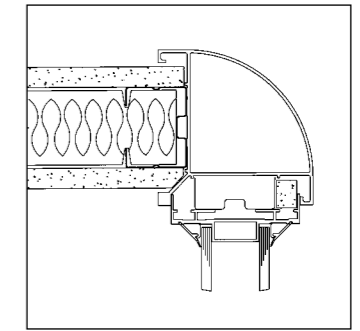
Note: For clarity the cavity infill has not been shown



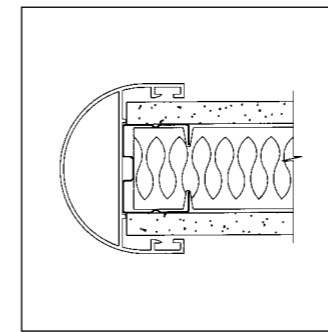
Solid abutment



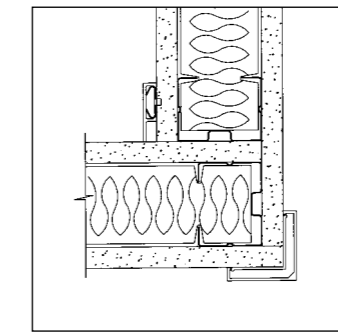
3 way solid junction



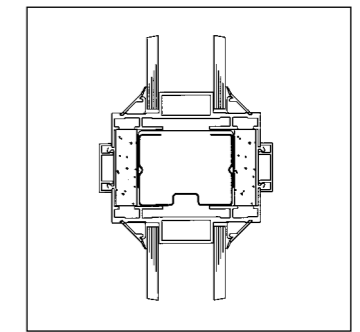
90° solid to glazed junction



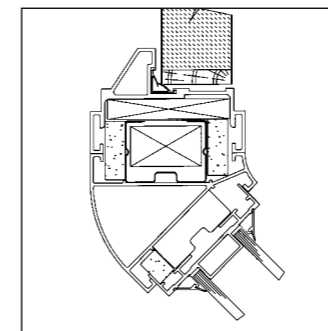
Solid fair end



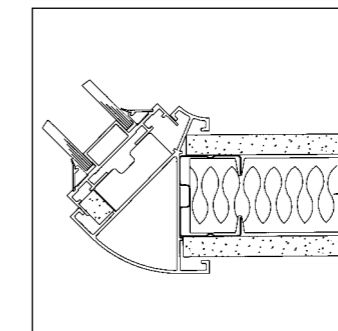
90° solid to solid junction



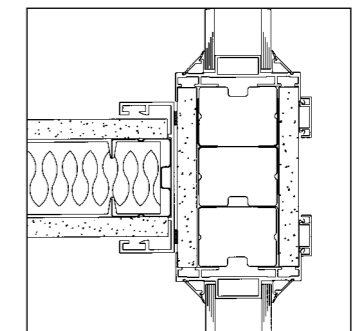
Glazed to glazed junction



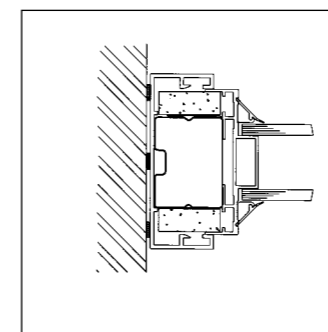
135° glazed to doorset junction



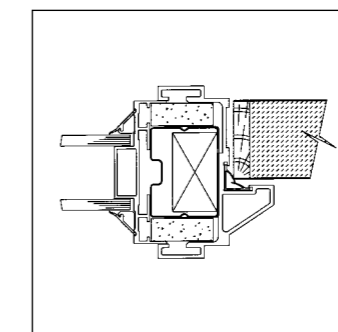
135° solid to glazed junction



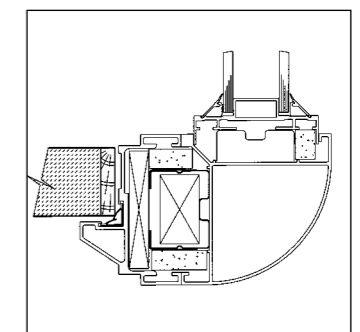
3 way glazed to solid to glazed junction



Glazed abutment



Glazed to doorset junction



90° glazed to doorset junction

These drawings are for guidance only. For comprehensive information please contact our technical department

Full height solid and glazed Komfire 100 incorporating integral blinds, full height doorframes with standard height veneered door and rebated veneered overpanel



Komfire 100



Komfort partitioning product comparison chart can be found on the inside back cover of this brochure

Full height solid and glazed Komfire 100 incorporating integral blinds and veneered doors with rectangular vision panel and stainless steel kick plates

Komfire 100



Full height solid and glazed Komfire 100 incorporating integral blinds to the glazed sections

Komfire 100



Komfire 100 is a 100mm double skinned square edge trim system in a steel stud and plasterboard construction with pre-assembled window frames

Technical spec at a glance

-  **DIMENSIONS:**
Up to 4800mm high (solid double skin)
-  **FIRE RATINGS:**
Up to 60/60
-  **ACOUSTICS:**
Solid - up to 52dB (Rw)
Double Glazed - up to 41dB (Rw)
-  **STRUCTURE:**
Up to severe duty
-  **WEIGHT Per m² (kg):**
Solid up to 46.08
Glazed up to 39.04
-  **BLINDS:**
Yes - integral
-  **MANIFESTATION:**
Yes

Detailed Komfire 100 drawings can be found on pages 42-43. In addition a partitioning product comparison chart can be found on the inside back cover of this brochure.

For further technical specifications and technical drawing downloads go to - www.komfort.com

Full height curved, solid Komfire 100



Komfire 100 is renowned for its impressive set of performance credentials and application possibilities. One partition with countless possibilities.

In spite of its incredible performance qualities, Komfire 100+, a double skinned variation can create an ambience that is inviting and appealing. It is the perfect choice for buildings where stringent fire regulations apply.

Komfire 100



Full height curved solid Komfire 100



Full height solid and glazed Komfire 100 incorporating veneered doors

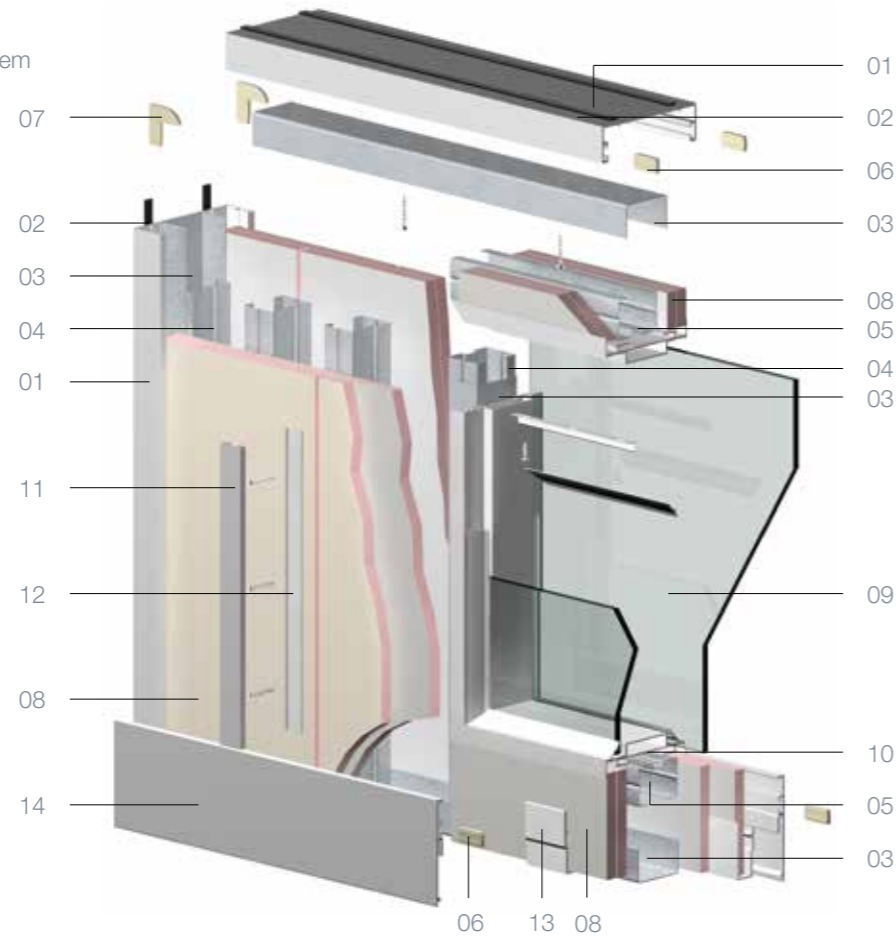


Curved Komfire 100

Komfire 100
100mm double skin partitioning system

- 01 Head / abutment channel
- 02 Abutment seal
- 03 Steel head / base track
- 04 Steel vertical stud
- 05 Steel stud transom
- 06 Straight jointing cleat
- 07 90° jointing cleat
- 08 12.5mm plasterboard
- 09 6mm / 6.4mm safety glass or fire glass
- 10 Pre-assembled window frame
- 11 Cover trim
- 12 Steel batten
- 13 Skirting clip
- 14 100mm skirting

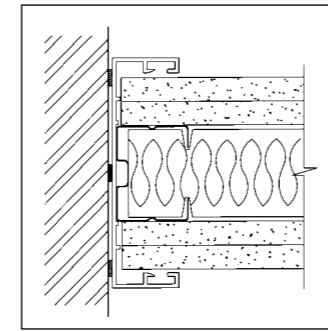
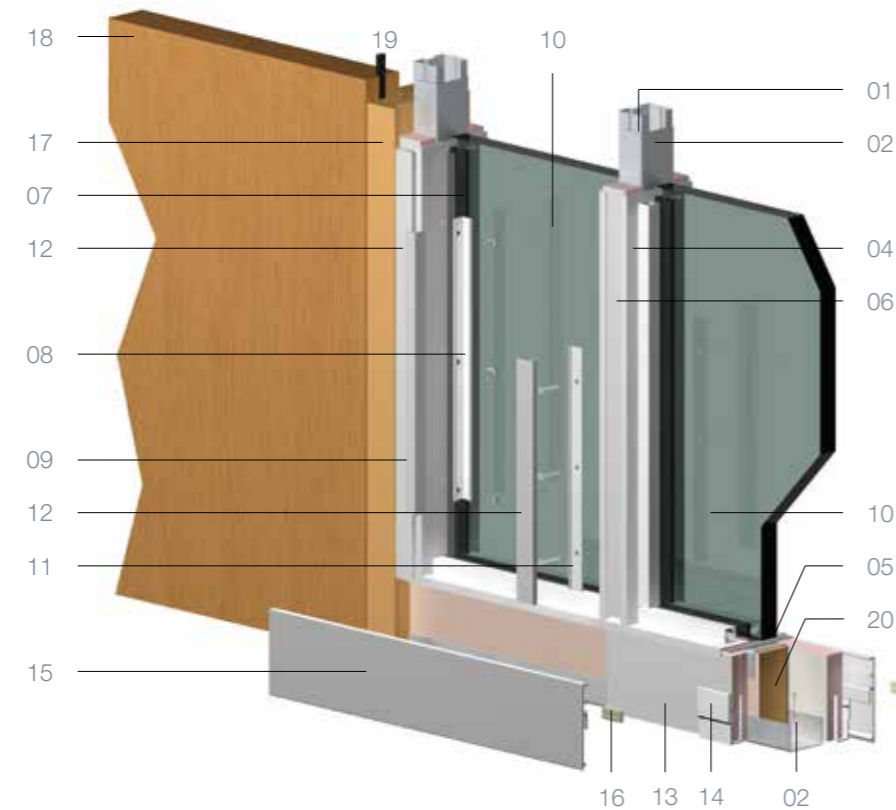
Note: For clarity the cavity infill has not been shown



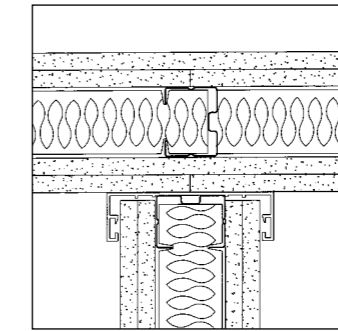
Komfire 100+
100mm double skin partitioning system & 60 minute glazed

- 01 Steel vertical stud
- 02 Steel head / base track
- 03 Steel stud transom
- 04 Aluminium window liner
- 05 Steel window liner
- 06 Pre-cut plasterboard strips
- 07 Foam seal
- 08 Steel glazing bead
- 09 Aluminium glazing trim
- 10 Glass up to 60 / 60 minute fire performance
- 11 Steel batten
- 12 Cover trim
- 13 12.5mm plasterboard
- 14 Skirting clip
- 15 100mm skirting
- 16 Straight jointing cleat
- 17 Timber door frame
- 18 FD60 door
- 19 Intumescent fire seal
- 20 Flaxcore strip ground

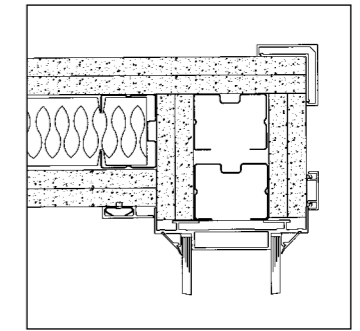
For Komfire 100+ junction drawings please contact our technical department



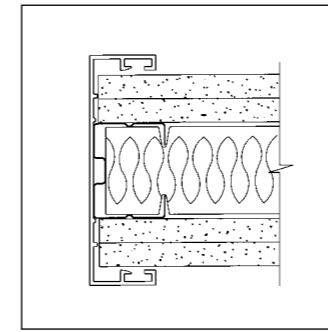
Solid abutment



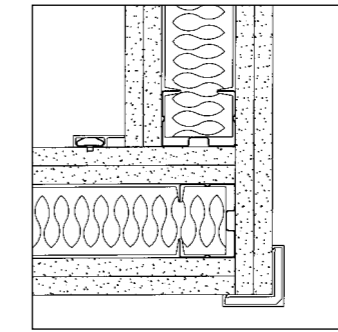
3 way solid junction



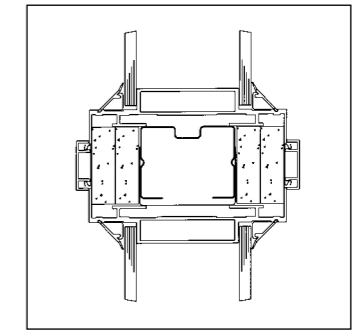
90° solid to glazed junction



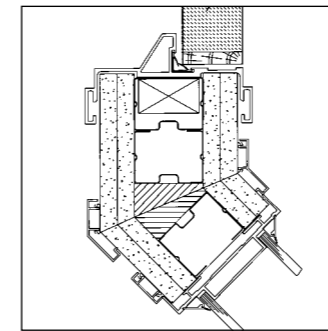
Solid fair end



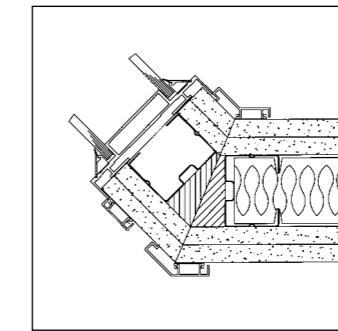
90° solid to solid junction



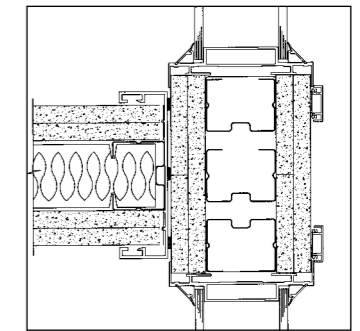
Glazed to glazed junction



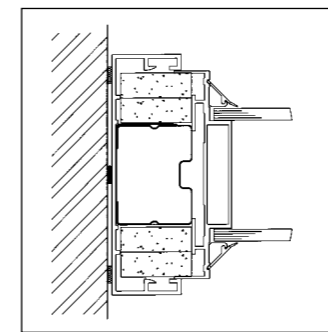
135° glazed to doorset junction



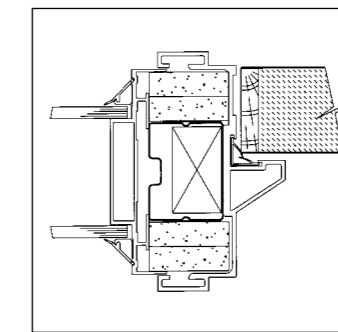
135° solid to glazed junction



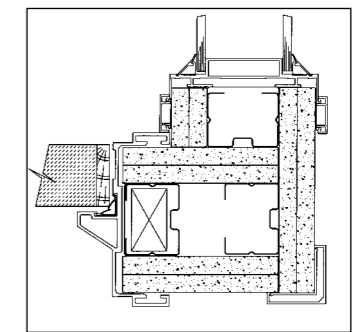
3 way glazed to solid to glazed junction



Glazed abutment



Glazed to doorset junction



90° glazed to doorset junction

These drawings are for guidance only. For comprehensive information please contact our technical department

Full height single offset glazed
Klassic partitioning with applied
banded manifestation

Klassic



Komfort partitioning product comparison chart can be found on the inside back cover of this brochure



Full height banded Klasic
with silicon jointed glazing

Klasic




Faceted full height
glazed and solid
Klassic with bespoke
wave manifestation


Klassic


Klassic is a radius edge veneered trim system in a steel stud and plasterboard construction with glazing options


Technical spec at a glance


 **DIMENSIONS:**
Up to 3000mm high

 **FIRE RATINGS:**
Up to 30/30

 **ACOUSTICS:**
Solid - up to 46dB (Rw)
Double Glazed - up to 41dB (Rw)

 **STRUCTURE:**
Up to medium duty

 **WEIGHT Per m² (kg):**
Solid up to 36.5
Glazed up to 45.5

 **BLINDS:**
Yes - integral

 **MANIFESTATION:**
Yes

Detailed Klassic drawings can be found on pages 52-53. In addition a partitioning product comparison chart can be found on the inside back cover of this brochure.

For further technical specifications and technical drawing downloads go to - www.komfort.com

Full height double glazed Klassic partitioning incorporating integral blinds



Exclusivity comes as standard with Klassic partitioning. The warmth and beauty of the veneers impart a timeless statement through both contemporary and classic design.

Klassic



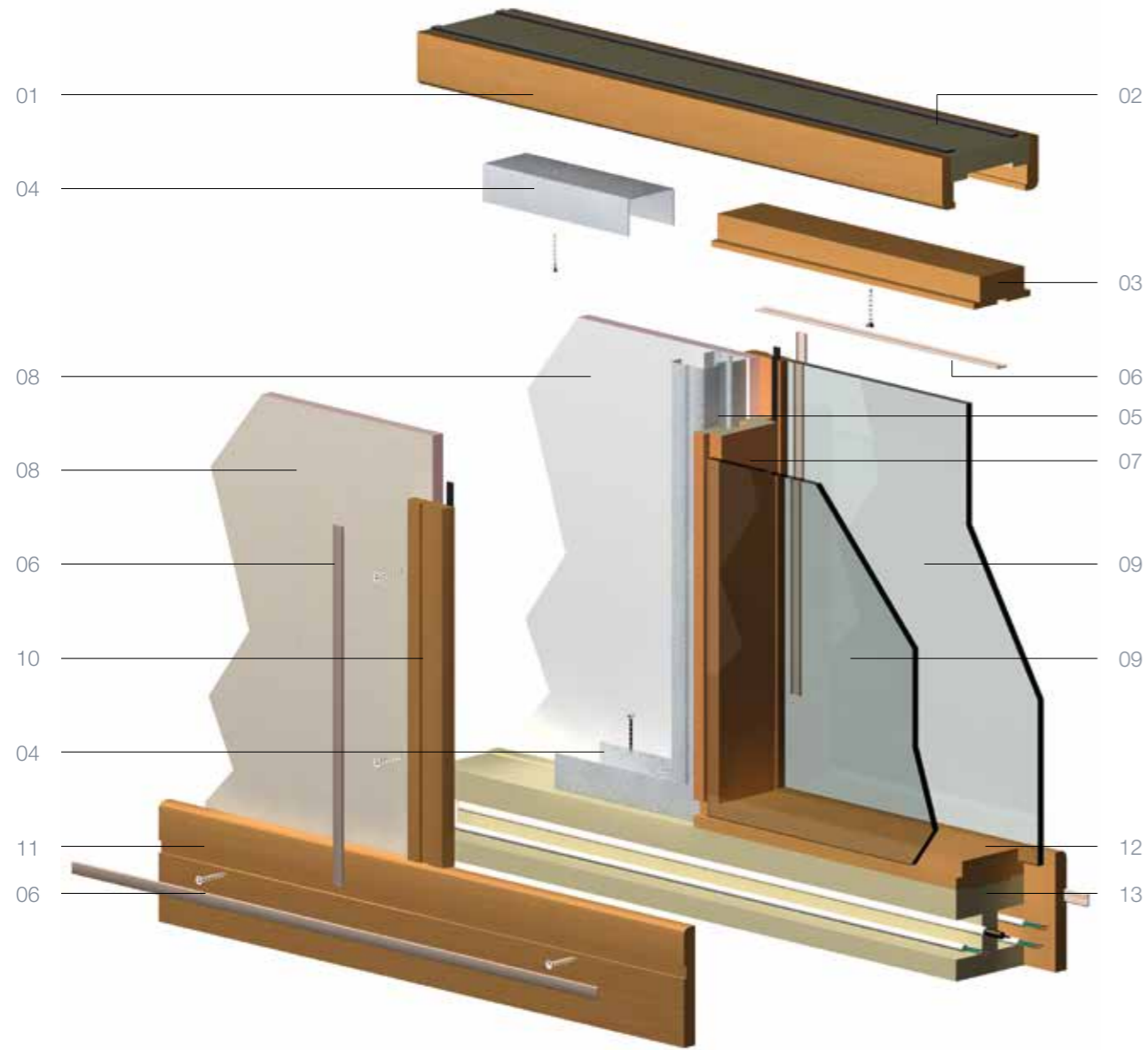
Full height single glazed Klassic partitioning incorporating Part M compliant dot manifestation



Solid and glazed faceted Klassic



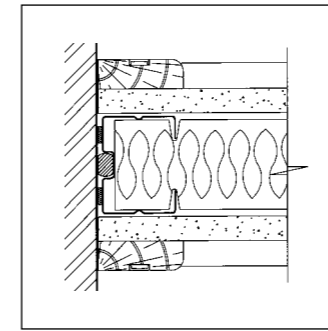
Full height single glazed Klassic partitioning incorporating banded manifestation and veneered doors



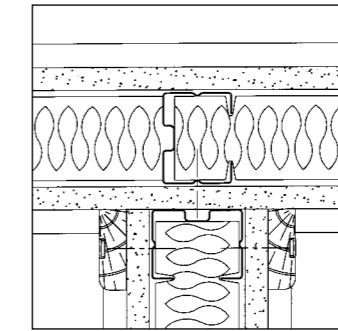
Klassik - 75mm veneered partitioning system

- | | | |
|------------------------------|-----------------------------|-------------------------|
| 01 Head channel | 07 Glazing half post | 12 Glazing base |
| 02 Abutment seal | 08 12.5mm plasterboard | 13 Wireway base channel |
| 03 Horizontal glazing head | 09 6mm / 6.4mm safety glass | |
| 04 Steel head / base channel | or fire glass | |
| 05 Steel vertical stud | 10 Cover trim | |
| 06 PVCu infill | 11 100mm skirting | |

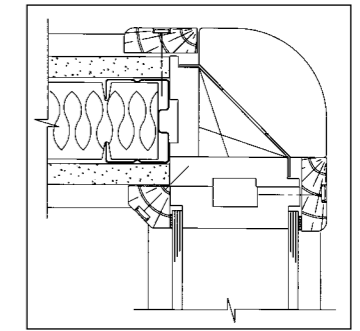
Note: For clarity the cavity infill has not been shown



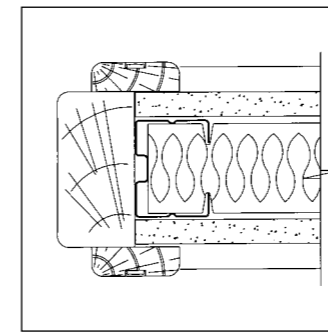
Solid abutment



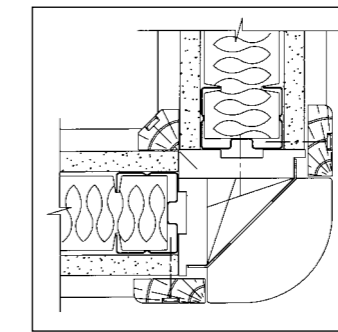
3 way solid junction



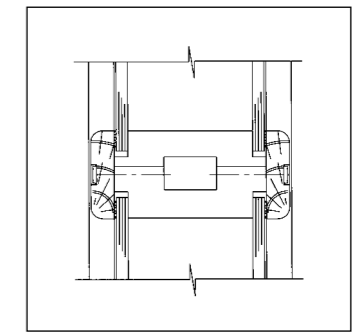
90° solid to glazed junction



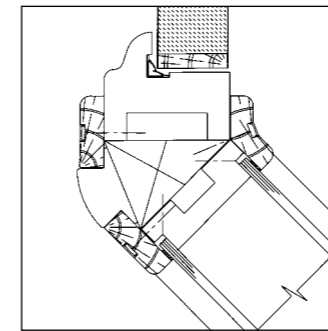
Solid fair end



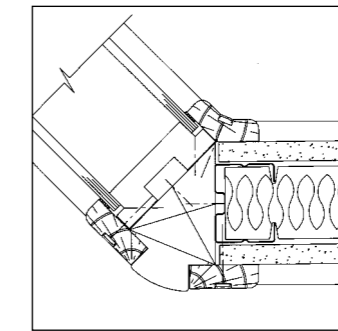
90° solid to solid junction



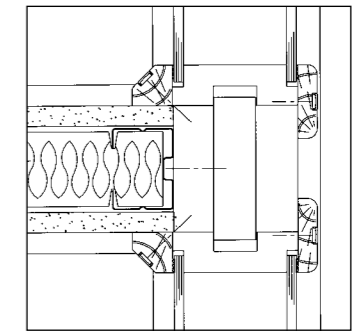
Glazed to glazed junction



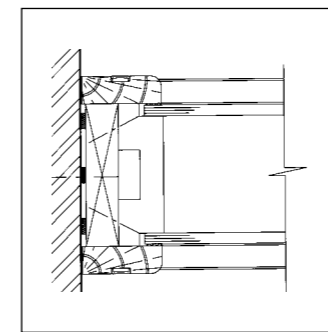
135° glazed to doorset junction



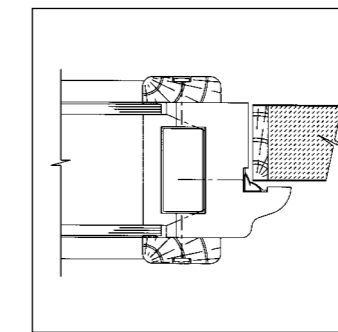
135° solid to glazed junction



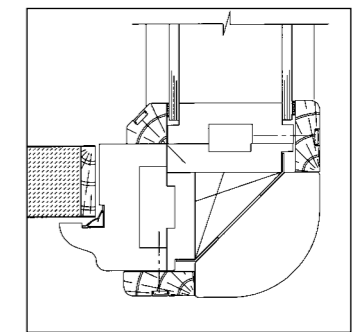
3 way glazed to solid to glazed junction



Glazed abutment



Glazed to doorset junction



90° glazed to doorset junction

These drawings are for guidance only. For comprehensive information please contact our technical department



Komfort's Polar partitions are stylish, dynamic and technologically sophisticated. They allow light to permeate through the space they divide to nurture inspiration and collaborative working.

For further information, please see our Polar systems brochure or go to:
www.komfort.com



Komfort would like to thank the following photographers and companies for granting us permission to use their photography in this brochure. Many of the projects featured are available to view and download as case studies on www.komfort.com

Andrew Perris – www.andrewperris.co.uk
Christian Smith
David Parker – www.daveparker.org
Donal Murphy – www.donalmurphyphoto.ie
James White – www.jameswhitephotography.co.uk
Mike Torrington – www.miketorrington.com
Paul Zanre – www.pzphotography.com
Steve Mayes – www.stevemayesphotography.co.uk

Altered Interiors (London) Ltd – www.alteredinteriors.co.uk
Ambient Interiors – www.ambient-interiors.co.uk
Amspec Limited – www.amspec.co.uk
Artemis Interior Services Ltd – www.artemisinteriors.com
Axis (Scotland) Limited – www.axis.gb.com
Aztec Interiors – www.aztec-interiors.co.uk
BAM – www.bam.co.uk
Bond Bryan Architects – www.bondbryan.com
Cairn Contracts – www.cairncontracts.com
CBS Business Furniture Ltd - www.cbsofficeinteriors.co.uk
CPL Interiors – www.cplinteriors.co.uk
D&G Office Interiors – www.dgoi.co.uk
Europa Workspace Services – www.europa-services.co.uk
FORM – www.forml.co.uk
GVA Grimley – www.gvagrimley.co.uk
Maris Interiors LLP – www.maris-interiors.co.uk
Office Principles – www.officeprinciples.com
One to One Business Interiors – www.onetoonebusinessinteriors.com
Parias Commercial Interiors Ltd – www.pariasinteriors.com
PW Shopfitters Ltd – www.pwshopfitters.co.uk
Service Group Interiors – www.servicegroupinteriors.com
S.J. Interiors (Essex) Limited - www.sjinteriors.co.uk
Souness & Boyne – www.sounessandboyne.co.uk
Spaceway South Ltd – www.spaceway.co.uk
Stortford Interiors (UK) Ltd – www.stortford-interiors.com
Swift Refurbishments – www.swiftrefurbishments.co.uk
Time Limit Interiors, Leeds
Trevor Blake Limited – www.trevorblake.co.uk
Walls to Workstations – www.w2w.ie



Partitioning Performance Comparison Chart

This fold-out chart enables you to easily compare the performance specifications and options for each of our partitioning systems shown.

This page can be folded out and viewed next to each of the technical drawing double page spreads to give you an instant visual overview of each partitioning systems construction method and junction drawings alongside the relevant performance specifications.

Partitioning - system guide & performance options

	Panel Finish				Trim Finish				Glazing BS6262 & BS 6206 also 476: Part 22 when required	Door Finish				Fire Performance BS 476 : Part 22				Sound Performance dB (Rw) BS EN ISO 140-3			System Construction								
	Vinyl using contract width fabric or paper backed materials	MFC non glare finish with PVC high impact edging	Veneer crown cut to match doors and finished with UV lacquer	Steel Faced	Square Edge Profile	Radius Edge Profile	Kolourframe powder coated in any BS 4800 or RAL colour	Veneered		Single Centre	Single Offset	Double Glazed	Certificated Doorset Assembly	Veneer pre-finished with UV lacquer	Laminated or PVCu	MFC	Steel in any BS 4800 or RAL colour	Glass performance 12mm thick toughened	Solid	Glazed	Doorset	Fire Glass module maximum area	Solid with tested cavity infill	Single Glazed 6.4mm laminated	Double Glazed 2 x 6.4mm laminated	Solid Strength & Robustness BS 5234 duty level	Nominal Thickness	Nominal Width	Maximum Height (subject to post installed)
600 Series	■				■		■		■	■	■		■	■				None	None	None	NA	30	33	37	Light	50mm	1.2m	6.0m ^a	3.24m ^a
Kameo 75	■	■	■			■	■		■	■	■	■	■	■				30min	30min	FD30	3.21m ²	43	35	40	Medium ^d	75mm	1.2m	4.3m	3.60m ²
Komfire 75	■	■	■		■		■		■	■	■	■	■	■				30min	30min	FD30	3.21m ²	43	35	40	Medium ^d	75mm	1.2m	4.3m	3.60m ²
Komfire 100	■	■	■		■		■		■	■	■	■	■	■				60min	30min	FD60 ^a	3.21m ²	52 ^b	35	40	Severe ^d	100mm	1.2m	4.8m	3.60m ²
Komfire 100+	■	■	■		■		■		■	■	■	■	■	■				60min	60min	FD60 ^a	3.60m ²	52 ^b	35	NA	Severe ^d	100mm	1.2m	4.8m	NA
Klassic	■	■	■		■		■		■	■	■	■	■	■				30min	30min	FD30	3.36m ²	43 to 45 ^c	35	40	Medium ^d	75mm	1.2m	3.0m	3.60m ²

600 Series 46mm Composite honeycomb core boards into aluminium frame
 Kameo 75 Single skin 12.5mm plasterboard either side of 50mm steel stud
 Komfire 75 Single skin 12.5mm plasterboard either side of 50mm steel stud
 Komfire 100 Double skin 12.5mm plasterboard either side of 50mm steel stud
 Komfire 100+ Double skin 12.5mm plasterboard either side of 50mm steel stud
 Klassic Single skin 12.5mm plasterboard either side of 50mm steel stud

* Glass combination
^a - Timber frame
^b - SoundBloc
^c - Subject to cavity infill
^d - At 2.7m high
^e - Subject to post installed

Due to a policy of continuous product development we reserve the right to change product specifications without prior notice.

For further technical specifications and technical drawing downloads visit [komfort.com](http://www.komfort.com)

For further technical specifications and technical drawing downloads visit www.komfort.com

Love the space you're in.



Sales Offices

Head Office – Horsham

Ashurst
Broadlands Business Campus
Langhurstwood Road
Horsham
West Sussex
RH12 4QP
Tel: 01403 390300
Fax: 01403 218828
E-mail: general@komfort.com

Leeds

Unit 2
Intermezzo Drive
Stourton Link
Leeds
West Yorkshire
LS10 1DF
Tel: 0113 395 6565
Fax: 0113 395 6566
E-mail: northern-sales@komfort.com

Birmingham

Unit 1
The Hub
Nobel Way
Birmingham
B6 7ES
Tel: 0121 332 2560
Fax: 0121 332 2565
E-mail: midland-sales@komfort.com

Southern Sales Counter

Unit 10
Gatwick Distribution Centre
Whittle Way
Crawley
West Sussex
RH10 9RT
Tel: 01293 577890
(for stock/sales counter enquiries only)

Internet

www.komfort.com

Showrooms

London
14 Bonhill Street
London
EC2A 4BX
Tel: 0207 256 5701
Fax: 0207 374 8649
E-mail: london.showsuite@komfort.com

Leeds

Unit 2
Intermezzo Drive
Stourton Link
Leeds
West Yorkshire
LS10 1DF
Tel: 0113 395 6565
Fax: 0113 395 6566
E-mail: leeds.showsuite@komfort.com

Scotland

The Skyhouse
18 Elliot Place
Glasgow
G3 8EP
Tel: 0113 395 6565
Fax: 0113 395 6566
E-mail: scotland.showsuite@komfort.com



Scan the QR code to automatically download Komfort's Head Office contact details direct to your smart device. To download a QR scanner visit the relevant app store to correspond with your device.

Find us on:

Facebook  Twitter  YouTube 

ID Number: KOMPART 02/14

