

Uniclass	EPIC
L384:P314:D32	C441:X342
CI/SfB	
32	(22.3) Xo



# Polar

Frameless glazed partitioning system

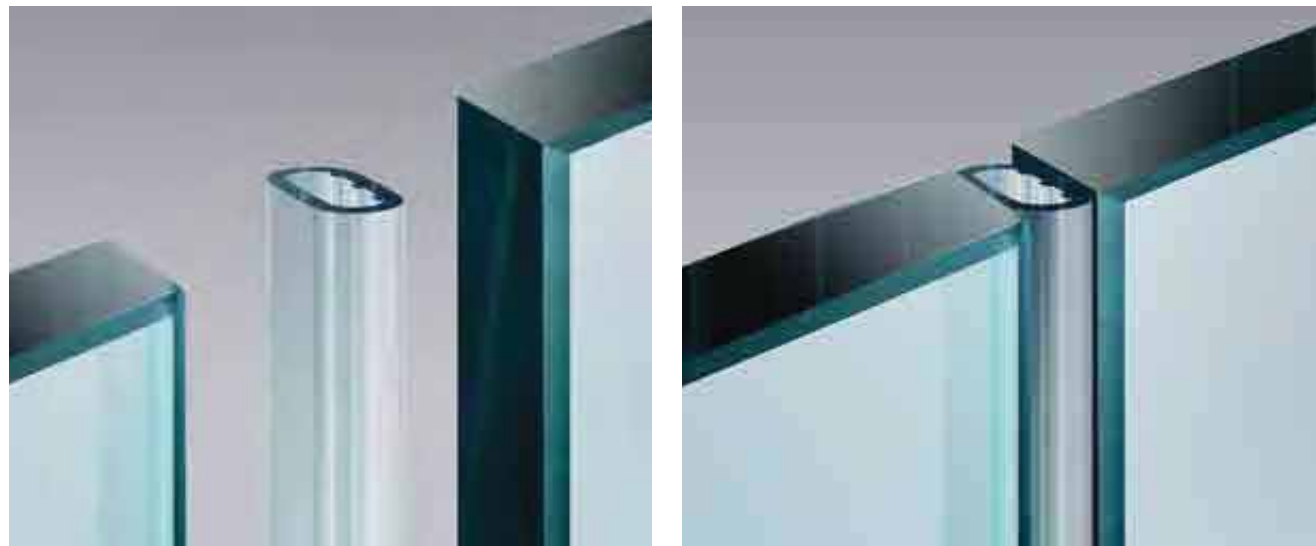
Incorporating patented 'Bubble Joint Technology'

Love the space you're in.

## Polar - the only glazed partitioning system with patented "Bubble Joint Technology"

### 10 reasons why you should use the patented Komfort Bubble Joint:

- ✓ Unique patented design
- ✓ Exclusively available from Komfort
- ✓ Slim minimalist appearance giving a near seamless look
- ✓ Flexible design able to accommodate a range of applications including single and double glazed, faceted and curved glass
- ✓ Suitable for 10-12.8mm thick glass
- ✓ Maintains glazed screen acoustic performance
- ✓ Provides a joint that allows the glazed screen to achieve 1.5kN/m line load
- ✓ Single product solution for all standard glass to glass junctions
- ✓ Fast and easy to install
- ✓ Eliminates the need for silicone facilitating relocatability



# Polar

## Frameless glazed partitioning systems

### Contents

04	Polar Deflection Heads
10	Polar Single Glazed
20	Polar Double Glazed
30	Polar Vision
40	PolarTec
46	Polar 100
54	Glass Doors
IBC	Partitioning Performance Comparison Chart



Full height Polar Single Glazed with 2-part  
Deflection Head  $\pm 25\text{mm}$



## POLAR Deflection Heads



Full height Polar Vision with 3-part Deflection Head  $\pm 15\text{mm}$





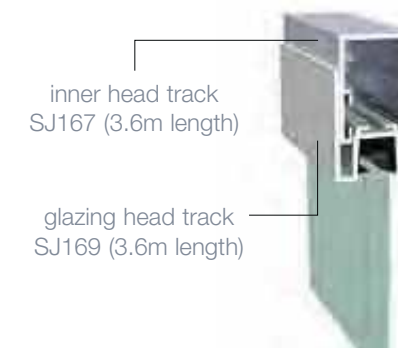
Full height Polar Vision with 3-part Deflection Head  $\pm 15\text{mm}$

**2-part and 3-part Deflection Head Components**

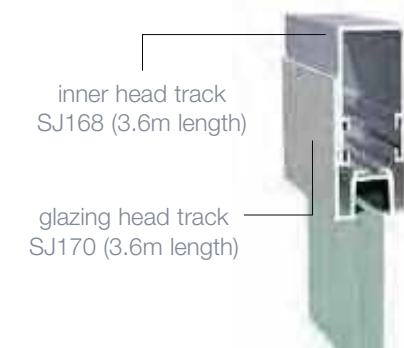
**POLAR**  
Deflection Heads

**Single Glazed Partitioning System**

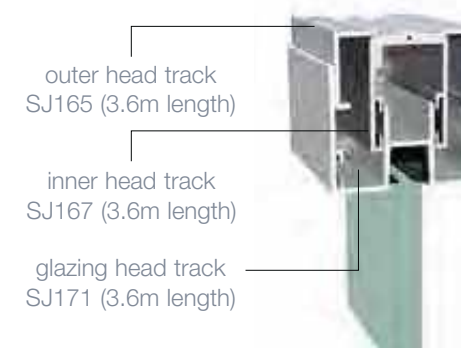
2-part Deflection Head  $\pm 15\text{mm}$



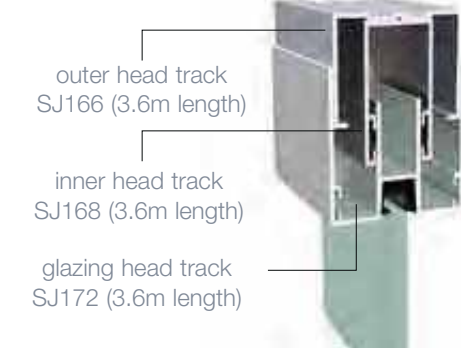
2-part Deflection Head  $\pm 25\text{mm}$



3-part Deflection Head  $\pm 15\text{mm}$

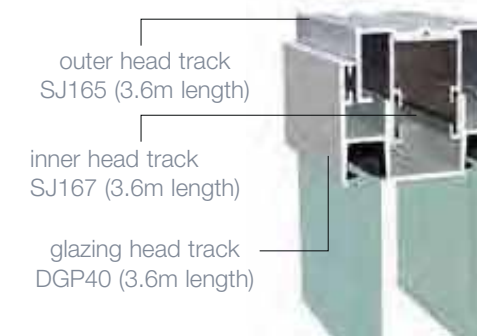


3-part Deflection Head  $\pm 25\text{mm}$

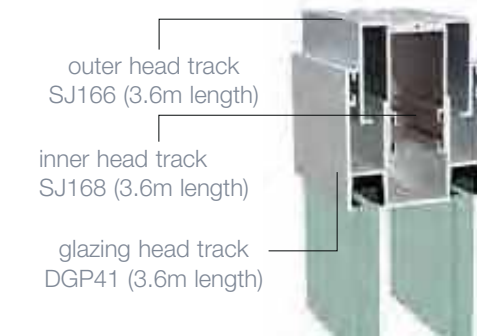


**Double Glazed Partitioning System**

3-part Deflection Head  $\pm 15\text{mm}$

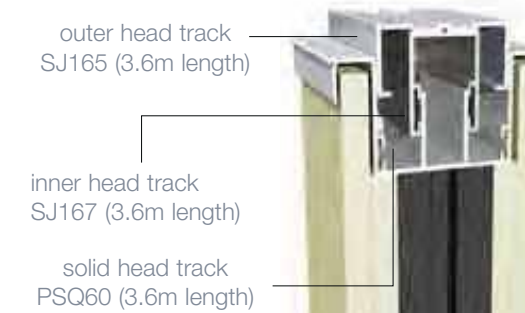


3-part Deflection Head  $\pm 25\text{mm}$

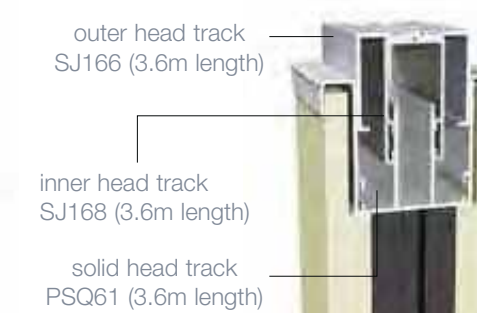


**Tapeable Drywall**

3-part Deflection Head  $\pm 15\text{mm}$



3-part Deflection Head  $\pm 25\text{mm}$





Full height faceted single glazed Polar incorporating single glazed doors within standard height SJ35 doorframes and glazed overpanel



# POLAR Single Glazed



Polar partitioning product comparison chart can be found on the inside back cover of this brochure

Full height single glazed Polar with full height double timber doors and frames

POLAR  
Single Glazed













Angled single glazed  
Polar to ground floor  
and mezzanine

## POLAR Single Glazed

Polar single glazed is a frameless dry  
or silicon vertical jointed system

### Technical spec at a glance

-  **DIMENSIONS:**  
Up to 3300mm high
-  **FIRE RATINGS:**  
Up to 30/30
-  **ACOUSTICS:**  
Up to 38dB (Rw)
-  **STRUCTURE:**  
Up to severe duty
-  **DEFLECTION HEAD:**  
 $\pm 15\text{mm}, \pm 25\text{mm}$
-  **WEIGHT Per m<sup>2</sup>:**  
With 12mm glass up to 30.18kg  
With deflection head up to 30.55kg
-  **BLINDS:**  
N/A
-  **MANIFESTATION:**  
Yes

Detailed Polar Single Glazed drawings can be found  
on pages 18-19. In addition a partitioning product  
comparison chart can be found on the inside back  
cover of this brochure.

For further technical specifications and technical  
drawing downloads go to - [www.komfort.com](http://www.komfort.com)



Curved single glazed  
Polar with banded  
manifestation



Available in straight striking lines, facets, or the most graceful curves, Polar's minimalist form exudes elegance and luxury in all kinds of surroundings.

## POLAR Single Glazed



Full height single glazed Polar



Faceted single glazed Polar  
incorporating standard height  
Manet sliding glass door



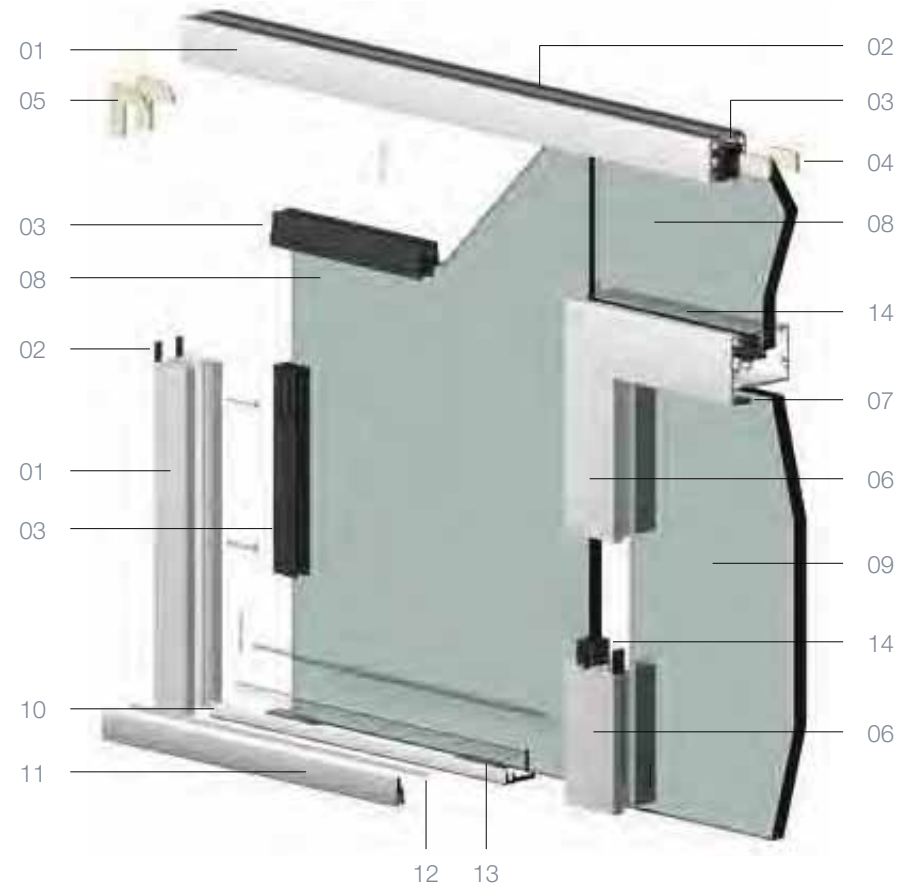
Full height curved single glazed Polar  
incorporating bespoke manifestation

# POLAR Single Glazed

## Isometric and Junction Details

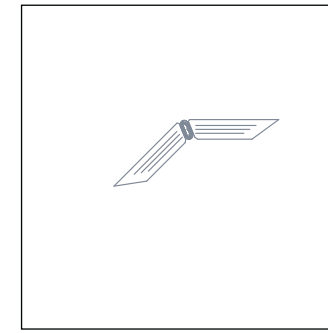
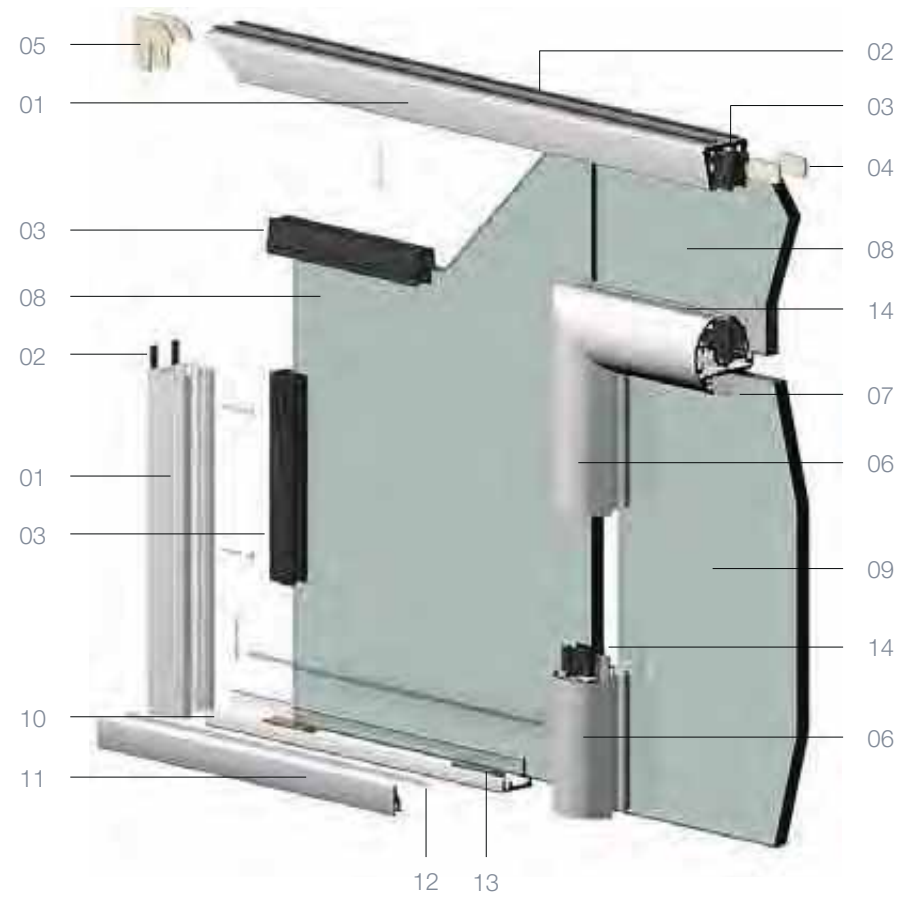
### Polar Single Glazed partitioning system

- 01 Head / abutment channel
- 02 Abutment seal
- 03 PVCu glazing channel
- 04 Straight jointing cleat
- 05 90° jointing cleat
- 06 Aluminium door frame flat profile
- 07 Door frame seal
- 08 10/12mm toughened safety glass
- 09 10mm/12mm toughened safety glass door
- 10 Base channel
- 11 Base channel leg
- 12 Glazing bead
- 13 Glass packer
- 14 Door frame glazing channel

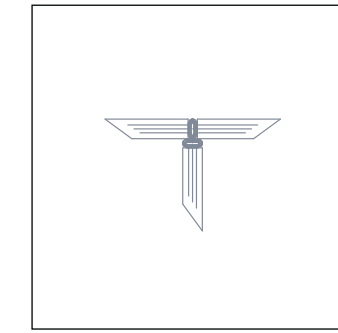


### Polar Single Glazed partitioning system

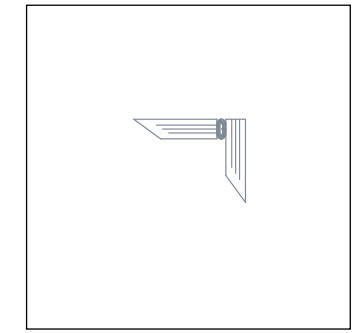
- 01 Head / abutment channel
- 02 Abutment seal
- 03 PVCu glazing channel
- 04 Straight jointing cleat
- 05 90° jointing cleat
- 06 Aluminium door frame round profile
- 07 Door frame seal
- 08 10/12mm toughened safety glass
- 09 10mm/12mm toughened safety glass door
- 10 Base channel
- 11 Base channel leg
- 12 Glazing bead
- 13 Glass packer
- 14 Door frame glazing channel



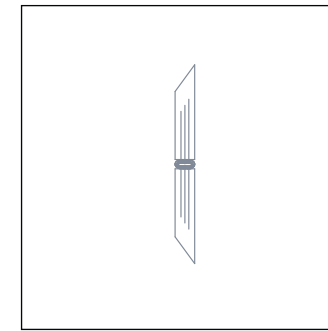
135° glazed junction



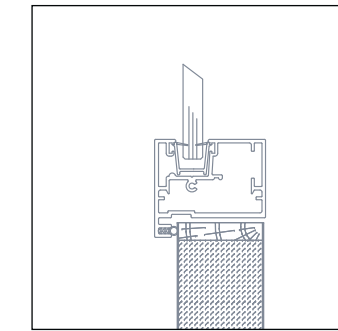
3 way glazed junction



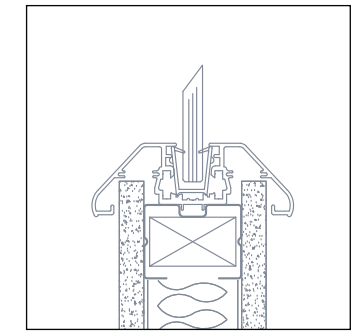
90° glazed junction



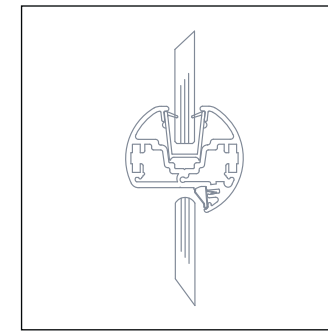
Glazed to glazed junction



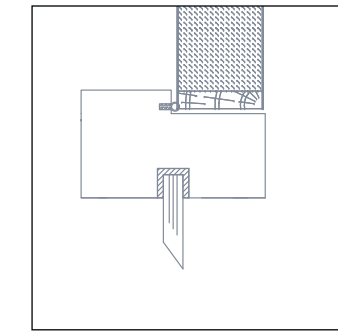
Glazed to aluminium door frame with timber door



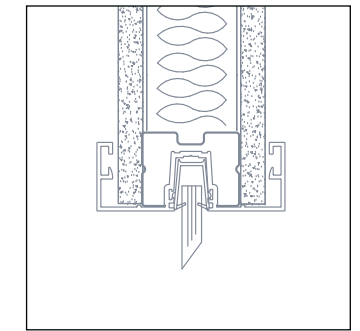
Reducer post from 75mm plasterboard partition system



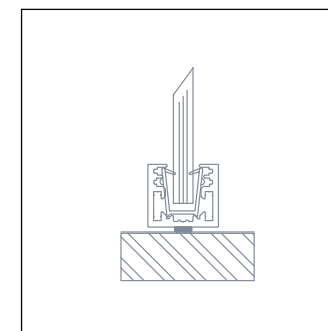
Glazed to halo aluminium door frame with glass door



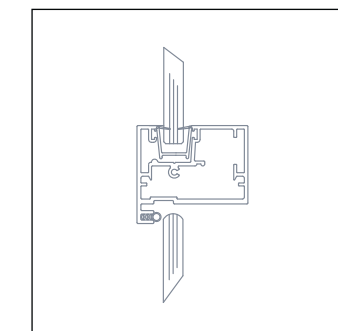
Glazed to timber door frame with timber door



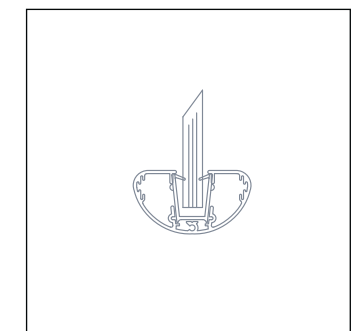
Glazing pocket from 75mm plasterboard partition system



Glazed abutment



Glazed to aluminium door frame with glass door



Glazed fair end

These drawings are for guidance only. For comprehensive information please contact our technical department

Polar partitioning product comparison chart can be found on the inside back cover of this brochure



Double glazed Polar with full height DGP25 doorframe and veneered door



# POLAR Double Glazed



Polar partitioning product comparison chart can be found on the inside back cover of this brochure



Full height double glazed Polar with integral blinds featuring standard height timber doors and rebated overpanel within full height Halo doorframes

POLAR  
Double Glazed








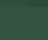




Full height faceted double glazed Polar

## POLAR Double Glazed

Polar double glazed is a frameless dry vertical jointed system with ghost post mullions

### Technical spec at a glance

-  **DIMENSIONS:**  
Up to 3300mm high
-  **FIRE RATINGS:**  
N/A
-  **ACOUSTICS:**  
Up to 49dB (Rw)
-  **STRUCTURE:**  
Up to severe duty
-  **DEFLECTION HEAD:**  
 $\pm 15\text{mm}$ ,  $\pm 25\text{mm}$
-  **WEIGHT Per m<sup>2</sup>:**  
With 10mm & 12mm glass up to 56.20kg  
With deflection head up to 57.45kg
-  **BLINDS:**  
Yes - integral
-  **MANIFESTATION:**  
Yes

Detailed Polar Double Glazed drawings can be found on pages 28-29. In addition a partitioning product comparison chart can be found on the inside back cover of this brochure.

For further technical specifications and technical drawing downloads go to - [www.komfort.com](http://www.komfort.com)

Full height double glazed Polar incorporating full height DGP25 doorframe containing veneered door and rebated overpanel. To the left of the door is Polar Vision with Polar single glazed at the end of the run



The discreet mullions and framework of double glazed Polar combine contemporary aesthetics, elegance and durability. A tried and tested system that creates a stunning look in any working environment.

## POLAR Double Glazed



Full height double glazed Polar with bespoke manifestation

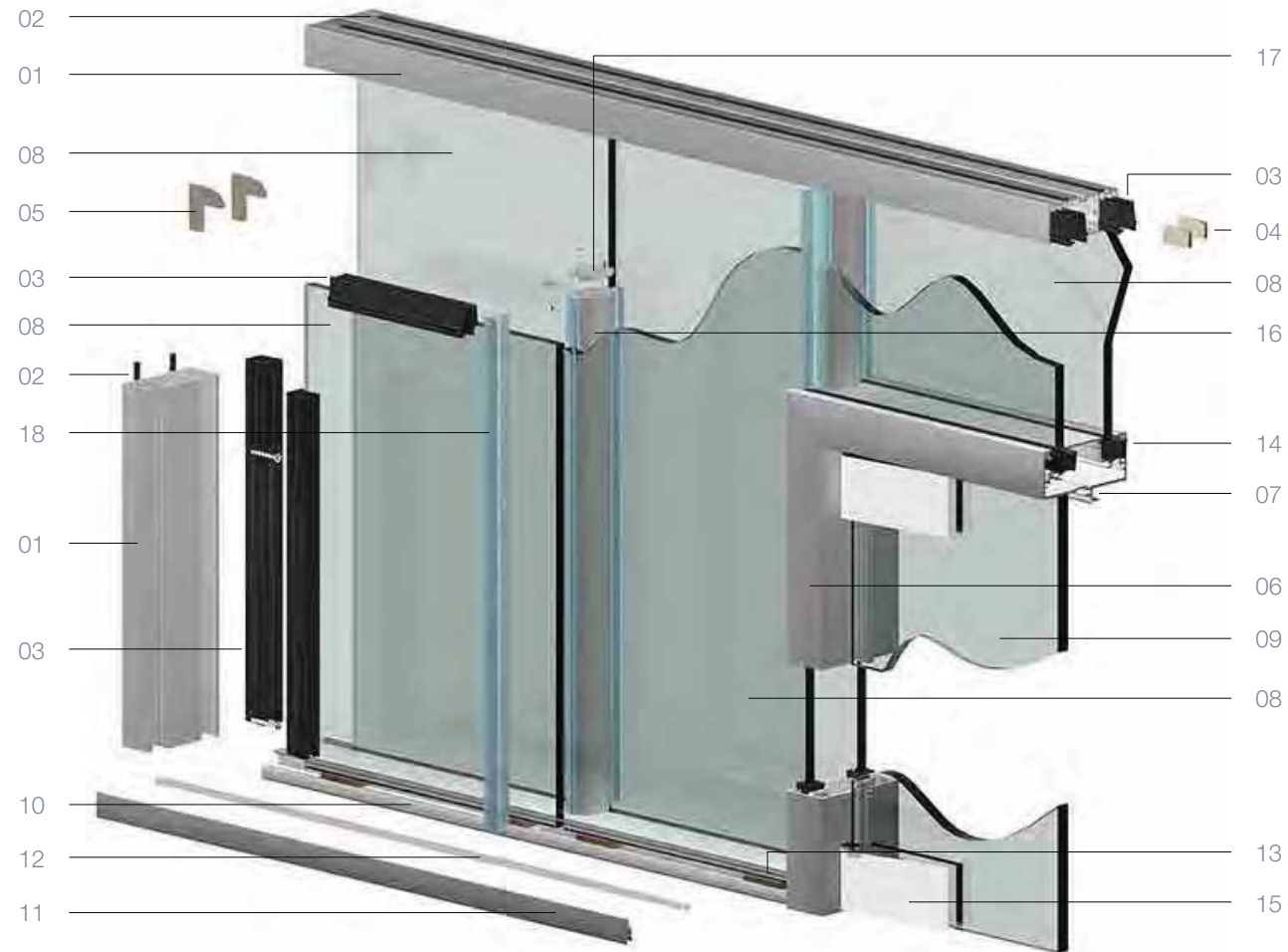


Full height double glazed Polar with standard height halo doorframe, double glazed overpanel and glass door



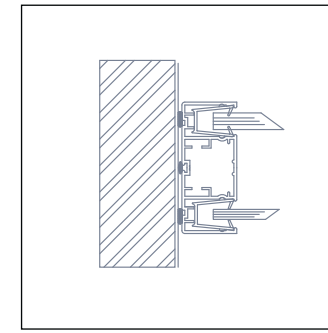
Full height double glazed Polar with banded manifestation



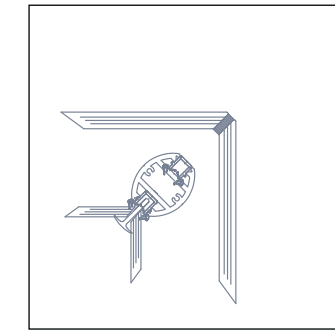


**Polar Double Glazed** - partitioning system

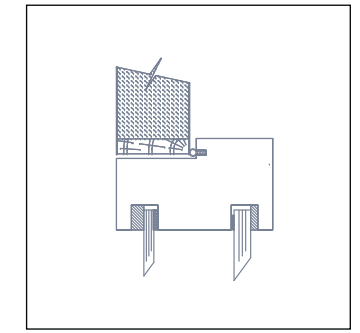
- |                                   |   |                              |
|-----------------------------------|---|------------------------------|
| 01 Head /abutment channel         | 09 10mm /12mm toughened safety glass door | 16 Ghost post                |
| 02 Abutment seal                  | 10 Base channel                           | 17 Ghost post securing plate |
| 03 PVCu glazing channel           | 11 Base channel leg                       | 18 Glass securing nail       |
| 04 Straight jointing cleat        | 12 Glazing bead                           |                              |
| 05 90° jointing cleat             | 13 Glass packer                           |                              |
| 06 Aluminium door frame           | 14 Door frame glazing channel             |                              |
| 07 Door frame seal                | 15 Pivot patch fitting                    |                              |
| 08 10/12mm toughened safety glass |   |                              |



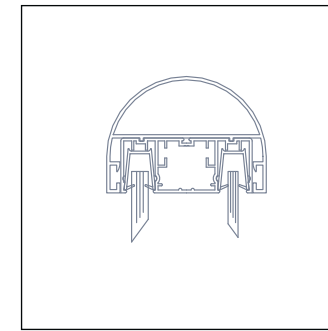
Glazed abutment



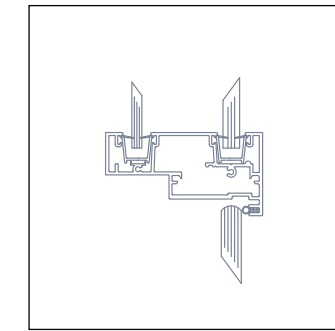
90° glazed junction



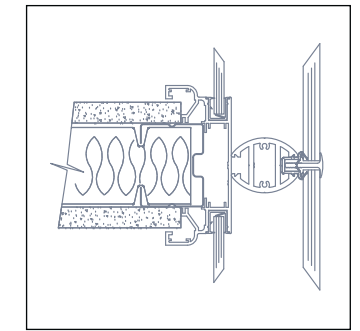
Glazed to timber door frame with timber door



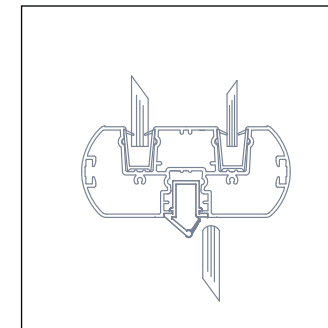
Glazed fair end



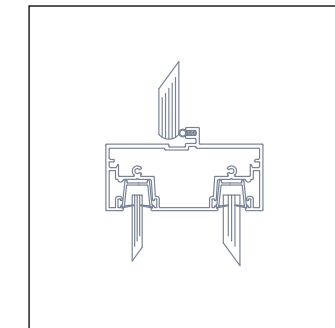
Glazed to aluminium door frame with flush door stop and glass door



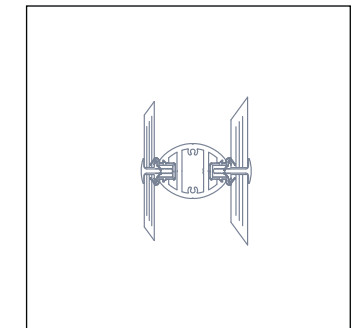
3 way glazed to solid to glazed junction



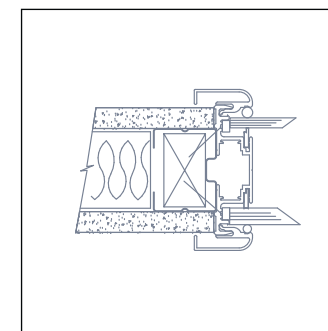
Glazed to halo aluminium door frame with glass door



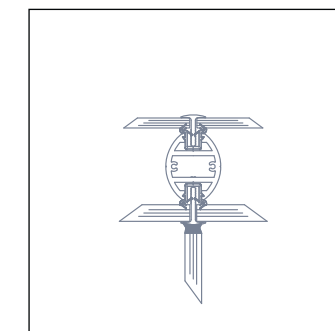
Glazed to aluminium door frame with central door stop and glass door



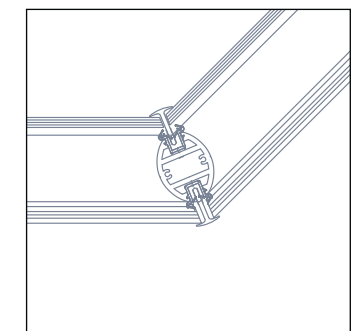
Glazed to glazed junction



Glazing to 75mm plasterboard partition system



3 way double glazed to single glazed



135° glazed junction

These drawings are for guidance only. For comprehensive information please contact our technical department

Faceted Polar Vision with full height applied graphics



# POLAR Vision



Polar partitioning product comparison chart can be found on the inside back cover of this brochure








Polar Vision is a frameless dry vertical jointed system

Technical spec at a glance

-  **DIMENSIONS:**  
Up to 3000mm high
-  **FIRE RATINGS:**  
Up to 30/30
-  **ACOUSTICS:**  
Up to 48dB (Rw)
-  **STRUCTURE:**  
Up to heavy duty
-  **DEFLECTION HEAD:**  
± 15mm, ± 25mm
-  **WEIGHT Per m<sup>2</sup>:**  
With 10mm & 12mm glass up to 55.38kg  
With deflection head up to 56.63kg
-  **BLINDS:**  
N/A
-  **MANIFESTATION:**  
Yes

Detailed Polar Vision drawings can be found on pages 38-39. In addition a partitioning product comparison chart can be found on the inside back cover of this brochure.

For further technical specifications and technical drawing downloads go to - [www.komfort.com](http://www.komfort.com)



Full height Polar Vision creating a meeting area



Inspiration and innovation reach new heights with Polar Vision. Its minimal form, confident lines and unrestricted views deliver opulence and exclusivity in any office.

# POLAR Vision



Full height Polar Vision with full height Halo double doorframe incorporating glass doors with patch hinges

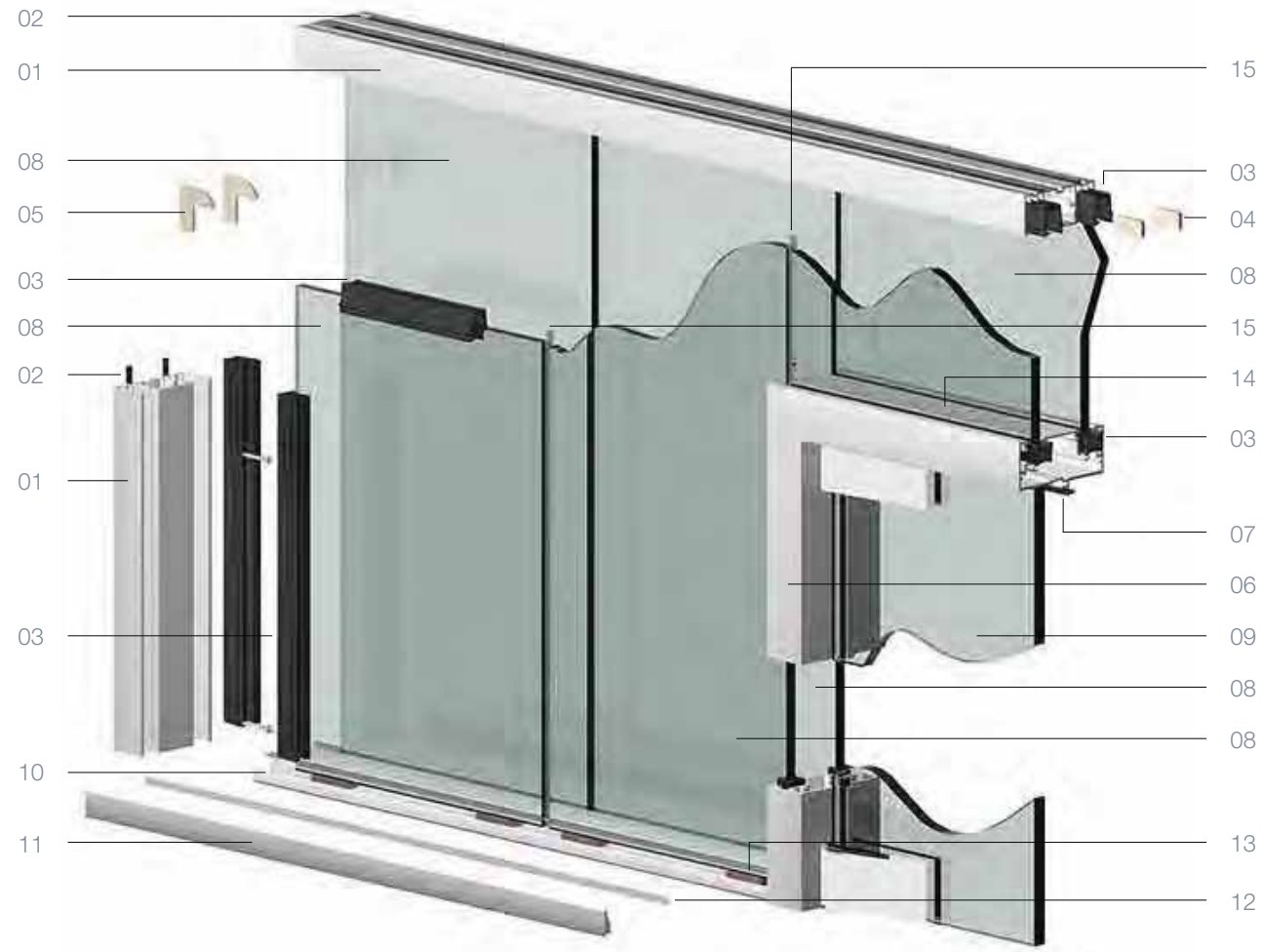


Faceted and straight Polar Vision with full height timber doorframe incorporating standard height veneered door and rebated overpanel



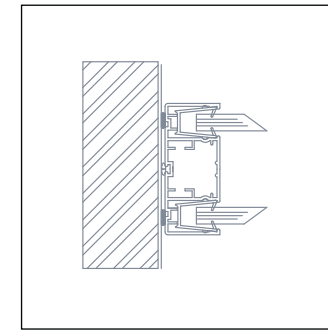
Polar Vision with full height flush double glazed doors with Part M compliant dot manifestation



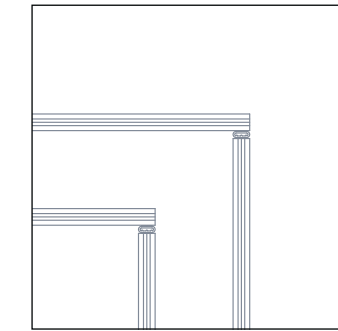


**Polar Vision** - double glazed partitioning system

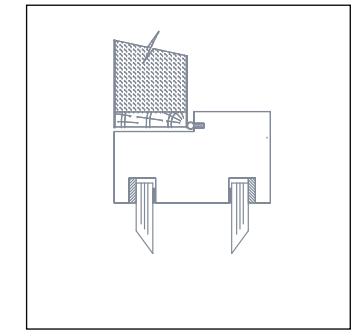
- |                            |  |  |
|----------------------------|--|--|
| 01 Head / abutment channel | 08 10 / 12mm toughened safety glass      | 13 Glass packer                            |
| 02 Abutment seal           | 09 10 / 12mm toughened safety glass door | 14 Door frame glazing channel              |
| 03 PVCu glazing channel    | 10 Base channel                          | 15 Self adhesive translucent glazing joint |
| 04 Straight jointing cleat | 11 Base channel leg                      |  |
| 05 90° jointing cleat      | 12 Glazing bead                          |  |
| 06 Aluminium door frame    |  |  |
| 07 Door frame seal         |  |  |



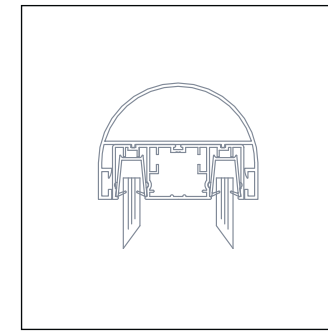
Glazed abutment



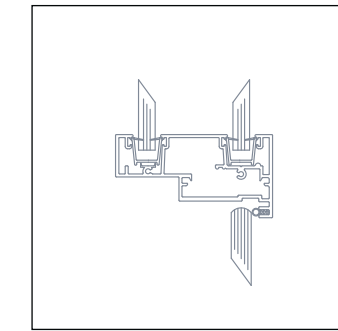
90° glazed junction



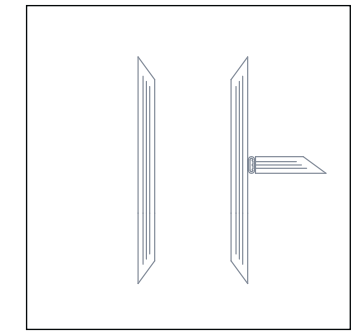
Glazed to timber door frame with timber door



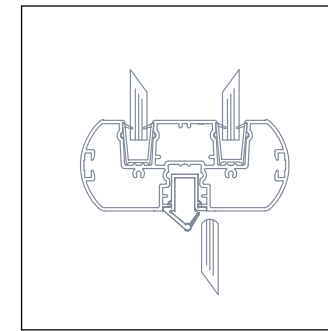
Glazed fair end



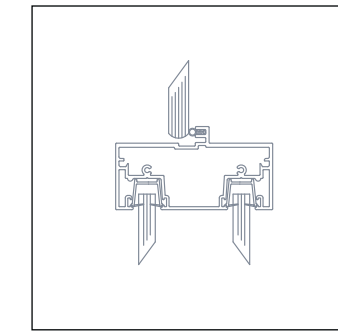
Glazed to aluminium door frame with flush door stop and glass door



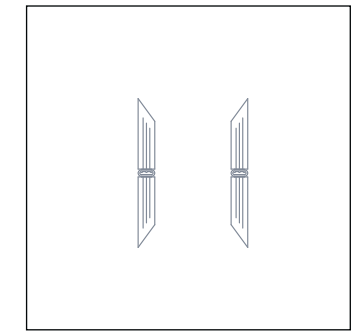
3 way double glazed to single glazed junction



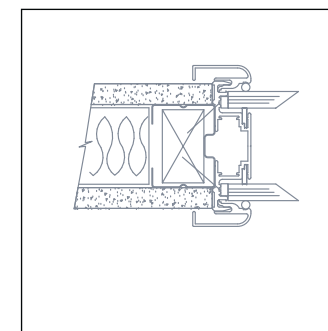
Glazed to halo aluminium door frame with glass door



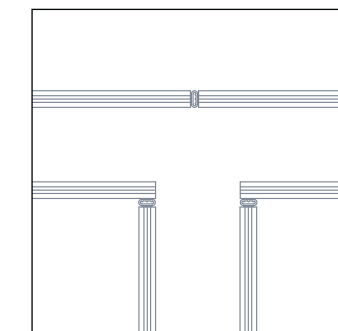
Glazed to aluminium door frame with central door stop and glass door



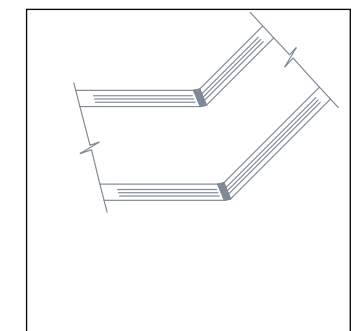
Glazed to glazed junction



Glazing to 75mm plasterboard partition system



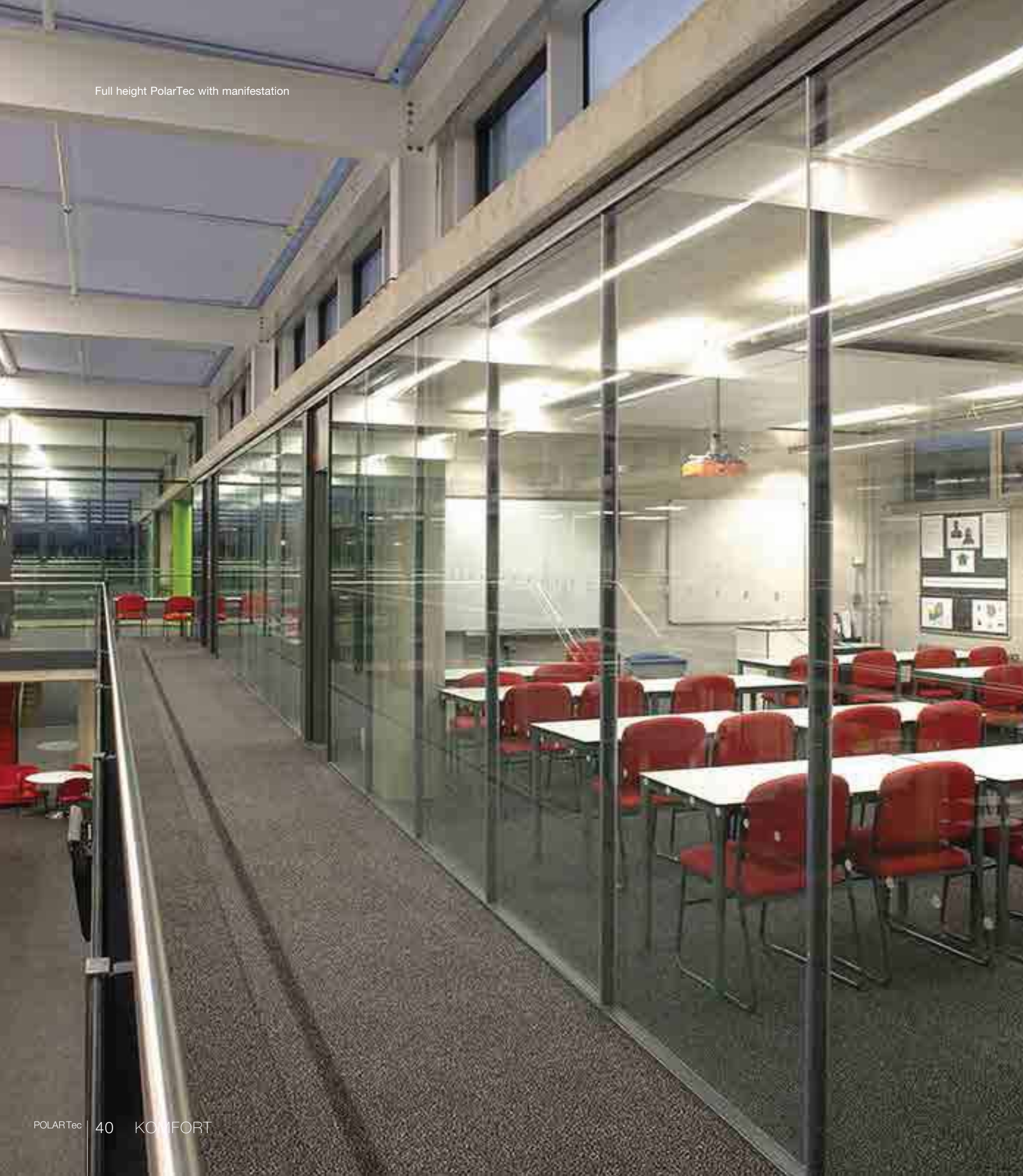
3 way double glazed junction



135° glazed junction

These drawings are for guidance only. For comprehensive information please contact our technical department

Full height PolarTec with manifestation



# POLAR Tec



Polar partitioning product comparison chart can be found on the inside back cover of this brochure



Full height PolarTec with  
applied film signage



PolarTec is a frameless dry vertical jointed system with deflection head

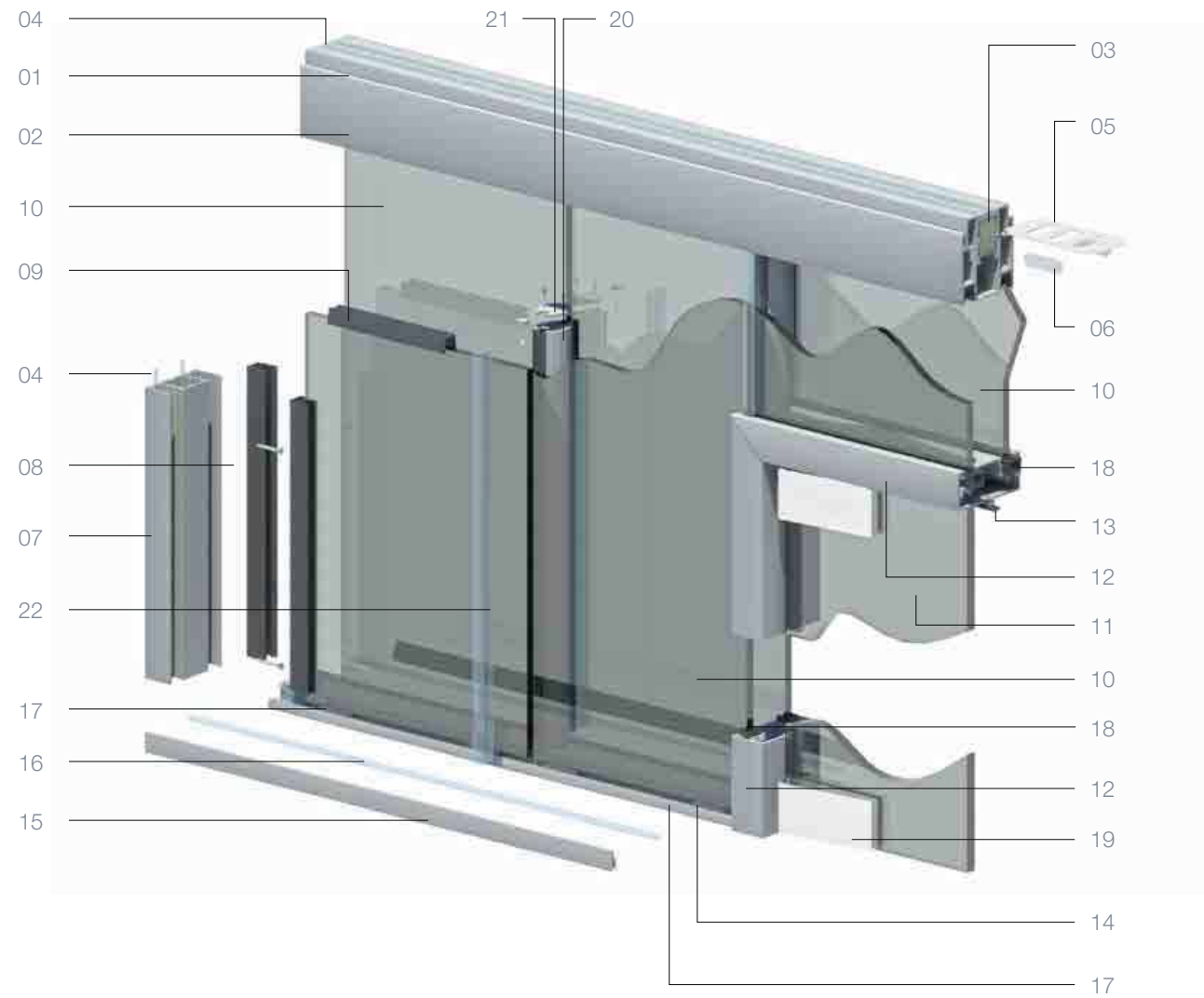
#### Technical spec at a glance

-  **DIMENSIONS:**  
Up to 3000mm high
-  **FIRE RATINGS:**  
Up to 30/30
-  **ACOUSTICS:**  
Up to 48dB (Rw)
-  **STRUCTURE:**  
Up to severe duty
-  **DEFLECTION HEAD:**  
 $\pm 15\text{mm}$ ,  $\pm 25\text{mm}$
-  **WEIGHT Per m<sup>2</sup>:**  
With 12.4mm intumescent fire glass and 10mm glass up to 54.76kg
-  **BLINDS:**  
Double glazed with ghost post only
-  **MANIFESTATION:**  
Yes

Detailed PolarTec drawings can be found on pages 44-45. In addition a partitioning product comparison chart can be found on the inside back cover of this brochure.

For further technical specifications and technical drawing downloads go to - [www.komfort.com](http://www.komfort.com)

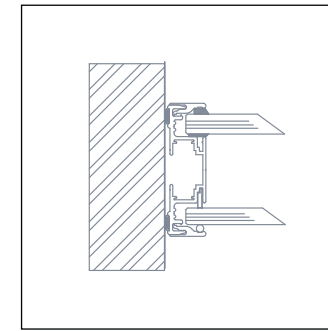




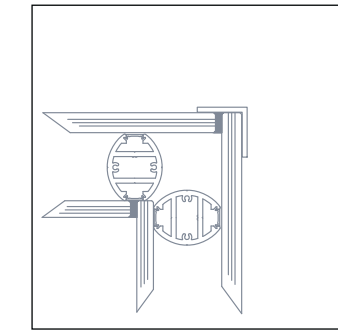
**PolarTec**

Double glazed partitioning system

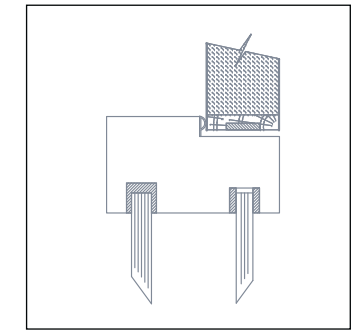
- |  |                                     |                                      |
|--|-------------------------------------|--------------------------------------|
| 01 Deflection head outer section - SJ166   | 08 Deep PVCu glazing channel - SJ13 | 18 Door frame glazing channel - SJ36 |
| 02 Deflection head glazing section - DPG41 | 10 10/12mm toughened safety glass   | 19 Pivot patch fitting - K590.15     |
| 03 Deflection head inner channel - SJ168   | 11 12mm toughened safety glass door | 20 Ghost post - DGP2                 |
| 04 Abutment seal - 342                     | 12 Aluminium door frame - DGP25     | 21 Ghost post securing plate - DGP30 |
| 05 Outer channel cleat - DFC.09            | 13 Door frame seal - SJ37           | 22 Glass securing nail - DGP15       |
| 06 Glazing channel cleat - DFC.05          | 14 Base channel - DGP4              |                                      |
| 07 Head/abutment channel - DGP1            | 15 Base channel leg - SJ3           |                                      |
|  | 16 Glazing bead - SJ11 / SJ12       |                                      |
|  | 17 Glass packer                     |                                      |



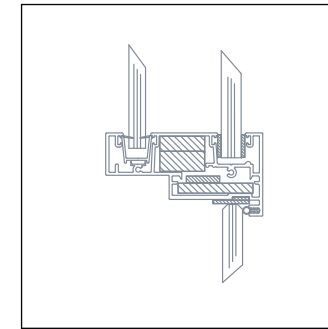
Glazed breakdown abutment



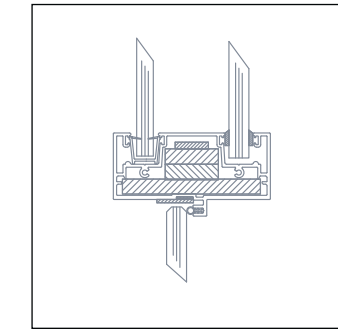
90° external glazed junction



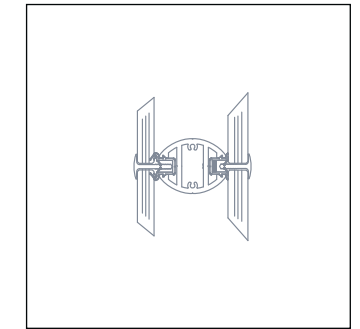
Glazed to timber door frame with timber door



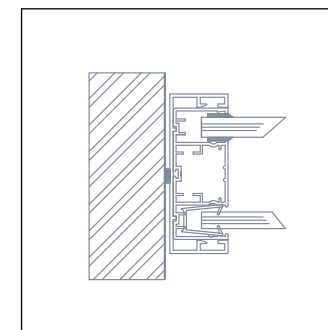
Glazed to aluminium door frame with flush door stop and glass door



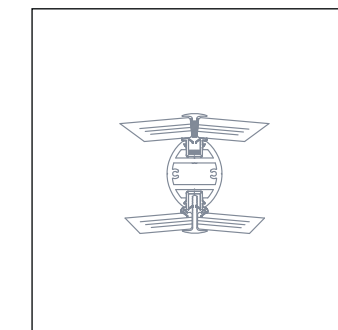
Glazed to aluminium door frame with central door stop and glass door



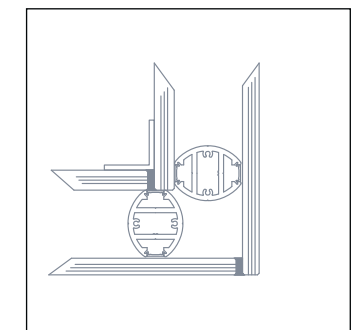
Glazed to glazed junction



Glazing abutment



10° faceted glazed junction



90° internal glazed junction

These drawings are for guidance only. For comprehensive information please contact our technical department

Full height Polar 100 incorporating glazing with solid elements and full height PSQ4 Polar 100 doorframe containing a full height door with vision panels



# POLAR 100

Polar partitioning product comparison chart can be found on the inside back cover of this brochure






Full height Polar 100  
solid panels integrating  
with double glazed Polar


POLAR 100

Polar 100 is a seamless (taped and filled or skimmed) solid partition and frameless glazed dry or silicon vertical jointed system


#### Technical spec at a glance


 **DIMENSIONS:**  
Up to 3000mm high


 **FIRE RATINGS:**  
Contact our technical department

 **ACOUSTICS:**  
Solid - up to 50dB (Rw)  
Double Glazed - up to 48dB (Rw)

 **STRUCTURE:**  
Up to severe duty

 **DEFLECTION HEAD:**  
± 15mm, ± 25mm

 **WEIGHT Per m<sup>2</sup>:**  
Solid up to 46.08kg  
Glazed up to 53.85kg

 **BLINDS:**  
Yes - integral

 **MANIFESTATION:**  
Yes

Detailed Polar 100 drawings can be found on pages 52-53. In addition a partitioning product comparison chart can be found on the inside back cover of this brochure.

For further technical specifications and technical drawing downloads go to - [www.komfort.com](http://www.komfort.com)



Full height double glazed Polar 100 with dado height solid sections and PSQ4 doorframe



Ingenious and versatile, this sought after system combines single glazed, double glazed and solid elements to accommodate full integration and produce a streamlined effect.

## POLAR 100



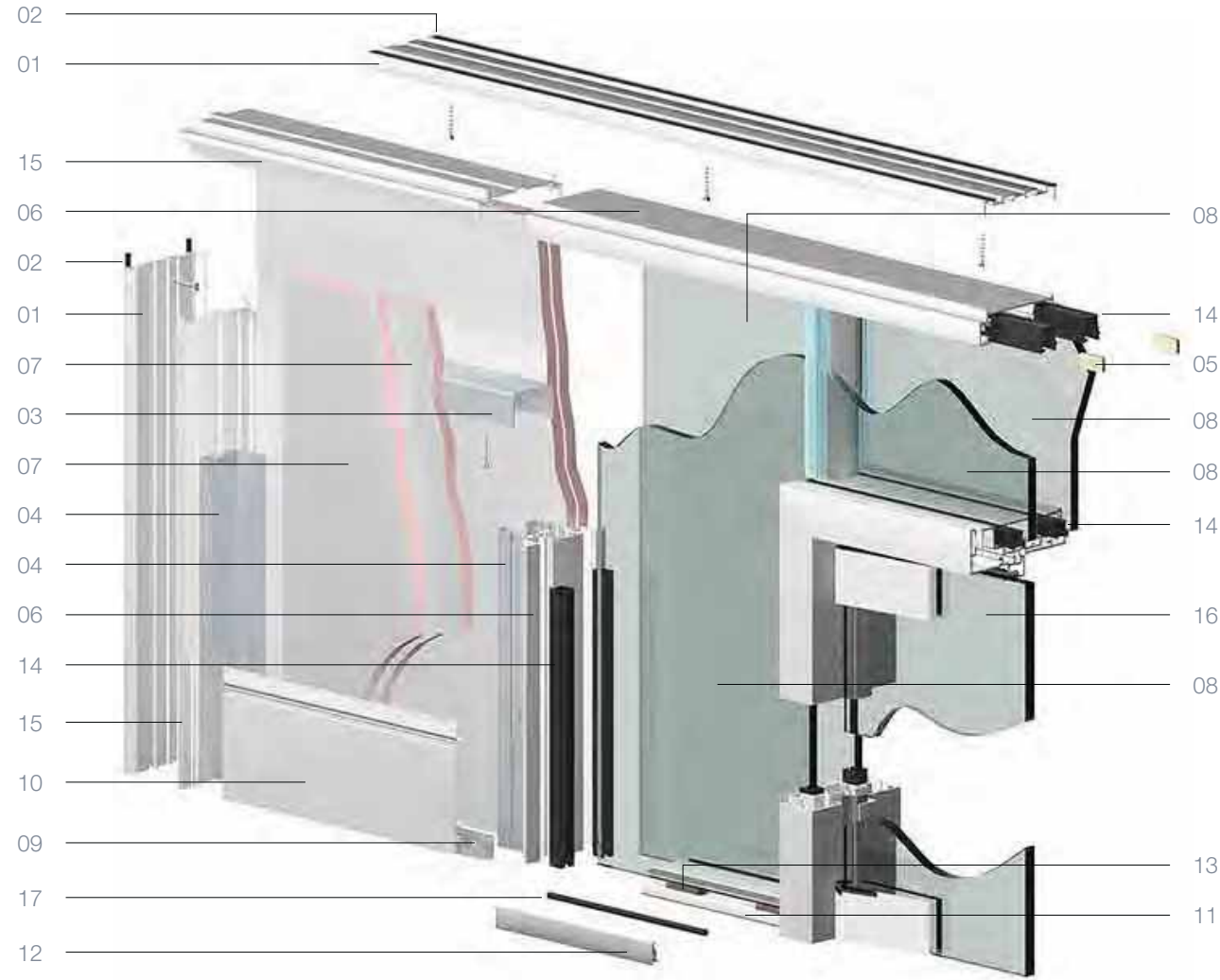
Polar 100 PSQ4 doorframe containing glass door



Full height Polar 100 partitioning with solid and glazed elements

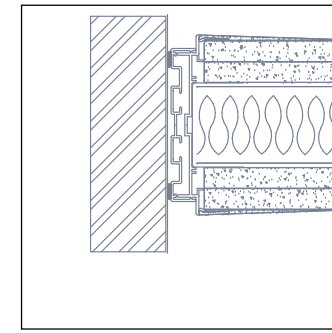


Single glazed Polar partitioning incorporating Polar 100 PSQ4 doorframes and glass doors

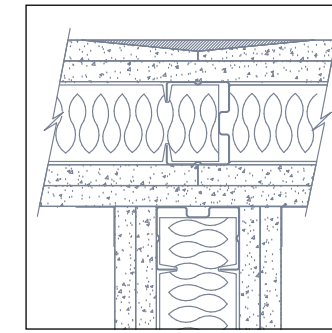


**Polar 100** - double glazed partitioning system designed to integrate with solid sections

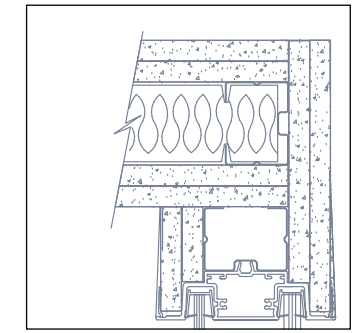
- |                            |                                     |  |
|----------------------------|-------------------------------------|--|
| 01 Head / abutment channel | 08 10 / 12mm toughened safety glass | 14 PVCu glazing channel                  |
| 02 Head channel seal       | 09 Skirting clip                    | 15 Plaster edge channel                  |
| 03 Steel head / base track | 10 100mm skirting                   | 16 10 / 12mm toughened safety glass door |
| 04 Steel vertical stud     | 11 Base channel                     | 17 Glazing bead                          |
| 05 Straight jointing cleat | 12 Base channel leg                 |  |
| 06 Glazing channel         | 13 Glass packer                     |  |
| 07 12.5mm plasterboard     |                                     |  |



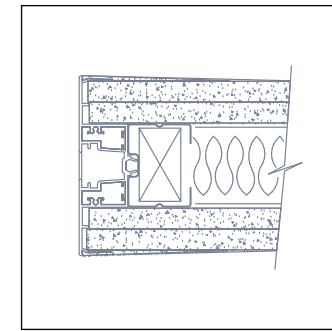
Solid abutment



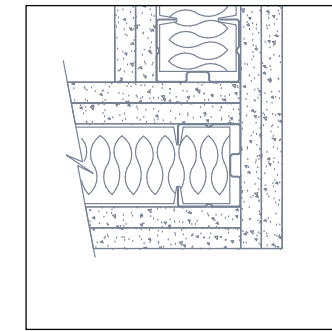
3 way solid junction



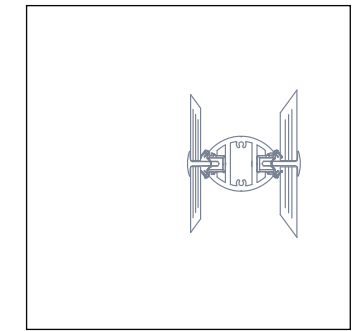
90° solid to glazed junction



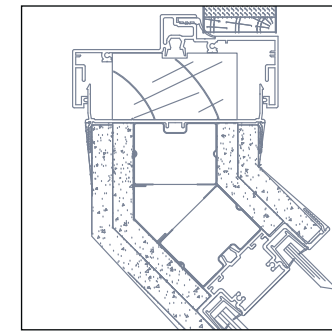
Solid fair end



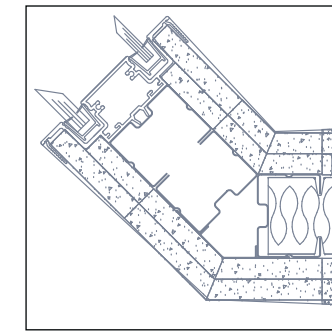
90° solid to solid junction



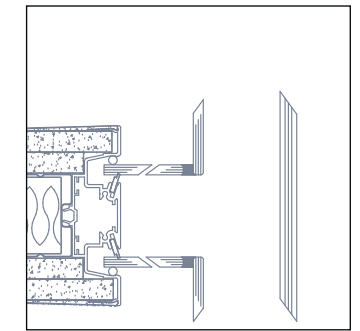
Glazed to glazed junction



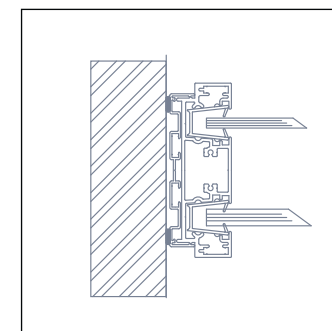
135° glazed to doorset junction



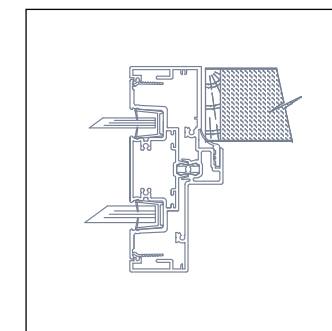
135° solid to glazed junction



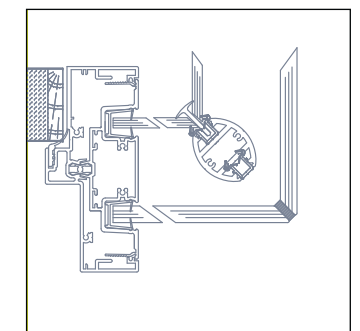
3 way glazed to solid to glazed junction



Glazed abutment



Glazed to doorset junction



90° glazed to doorset junction

These drawings are for guidance only. For comprehensive information please contact our technical department



Curved single glazed Polar meeting pod with curved Manet sliding door and pull handles



## Glass Doors

Komfort's considerable choice of glass and timber doors form an integral part of any partition wall. Choose from pivot, sliding, framed or frameless to enhance the overall design.





Single glazed door within SJ35 doorframe with patch hinges, patch lock and lever handle



Standard height single glazed pivot doors with patch hinges and stainless steel D handles

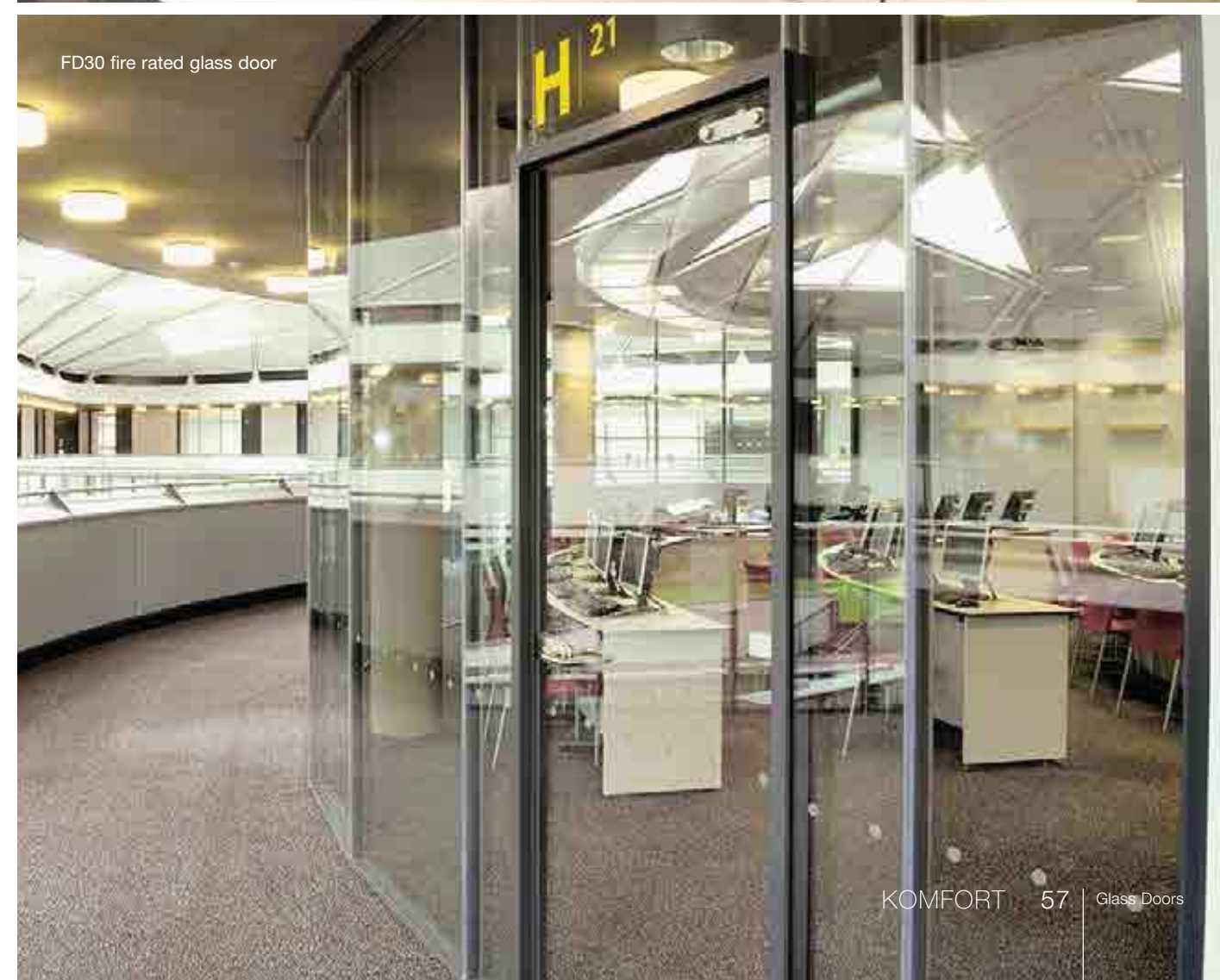


Double Manet sliding glass doors

# Glass Doors



Full height Trojan double sliding doors



FD30 fire rated glass door



Flush double glazed door



Komfort would like to thank the following photographers and companies for granting us permission to use their photography in this brochure. Many of the projects featured are available to view and download as case studies on [www.komfort.com](http://www.komfort.com)

Andrew Perris - [www.andrewperris.co.uk](http://www.andrewperris.co.uk)  
Donal Murphy - [www.donalmurphyphoto.ie](http://www.donalmurphyphoto.ie)  
Gareth Gardner - [www.garethgardner.com](http://www.garethgardner.com)  
David McGathan - [www.DMPhotographics.co.uk](http://www.DMPhotographics.co.uk)  
James White - [www.jameswhitephotography.co.uk](http://www.jameswhitephotography.co.uk)  
Mike Torrington - [www.miketorrington.com](http://www.miketorrington.com)  
Paul Zanre - [www.pzphotography.com](http://www.pzphotography.com)  
Steve Mayes - [www.stevemayesphotography.co.uk](http://www.stevemayesphotography.co.uk)

3DReid Architects - [www.3dreid.com](http://www.3dreid.com)  
Area Squared - [www.areasq.co.uk](http://www.areasq.co.uk)  
Ardmac - [www.ardmac.com](http://www.ardmac.com)  
Artillery Architecture & Interior Design - [www.artillery.co.uk](http://www.artillery.co.uk)  
Axis (Scotland) Limited - [www.axis.gb.com](http://www.axis.gb.com)  
BAM - [www.bam.co.uk](http://www.bam.co.uk)  
BDG Workfutures - [www.bdgworkfutures.com](http://www.bdgworkfutures.com)  
BIG Interior Services Ltd - [www.big-interiors.com](http://www.big-interiors.com)  
Bond Bryan Architects - [www.bondbryan.com](http://www.bondbryan.com)  
B W Interiors Limited - [www.bwinteriors.com](http://www.bwinteriors.com)  
Cairn Contracts - [www.cairncontracts.com](http://www.cairncontracts.com)  
Europa Workspace Services - [www.europa-services.co.uk](http://www.europa-services.co.uk)  
Felt Branding - [www.feltbranding.com](http://www.feltbranding.com)  
GHI Contracts Limited - [www.ghicontracts.co.uk](http://www.ghicontracts.co.uk)  
GVA Grimley - [www.gvagrimley.co.uk](http://www.gvagrimley.co.uk)  
GW Interiors - [www.gw-interiors.co.uk](http://www.gw-interiors.co.uk)  
Intex Projects Ltd - [www.intexprojects.co.uk](http://www.intexprojects.co.uk)  
KD Systems - [www.kd-systems.com](http://www.kd-systems.com)  
Logic Office Group - [www.logic-office.co.uk](http://www.logic-office.co.uk)  
OPL - [www.office-projects.co.uk](http://www.office-projects.co.uk)  
Office Principles - [www.officeprinciples.com](http://www.officeprinciples.com)  
Overbury - [www.overbury.com](http://www.overbury.com)  
Preferred Office Environments plc - [www.preferredoffices.co.uk](http://www.preferredoffices.co.uk)  
Souness & Boyne - [www.sounessandboyne.co.uk](http://www.sounessandboyne.co.uk)  
Spacescape Limited - [www.spacescapeinteriors.com](http://www.spacescapeinteriors.com)  
Stortford Interiors (UK) Ltd - [www.stortford-interiors.com](http://www.stortford-interiors.com)  
The Projects Company Limited - [www.theprojectscompany.co.uk](http://www.theprojectscompany.co.uk)  
Time Limit Interiors, Leeds  
T & S Acoustic Contracts Limited - [www.tandsacoustic.co.uk](http://www.tandsacoustic.co.uk)  
Walls to Workstations - [www.w2w.ie](http://www.w2w.ie)  
Westco Partnership - [www.westcopartnership.com](http://www.westcopartnership.com)  
Worksmart Interiors Limited - [www.worksmartinteriors.co.uk](http://www.worksmartinteriors.co.uk)



# Partitioning Performance Comparison Chart

This fold-out chart enables you to easily compare the performance specifications and options for each of our partitioning systems shown.

This page can be folded out and viewed next to each of the technical drawing double page spreads to give you an instant visual overview of each partitioning systems construction method and junction drawings alongside the relevant performance specifications.

For further technical specifications and technical drawing downloads visit  
**[komfort.com](http://komfort.com)**



# POLAR Partitioning - system guide & performance options

	Construction Type	Trim Finish	Glass to Glass Joint	Door Finish	Fire Performance BS 476 : Part 22	Sound Performance dB (Rw) BS EN ISO 140-3	System Construction
	Full Height glazed						
	Door Height glazed						
	Aluminium Deflection Head						
	Steel deflection Head						
	Satin Anodised						
	Kolor frame powder coated in any RAL colour or RAL colour						
	Bubble Dry Joint						
	Two Part Dry Joint						
	Silicon Joint						
	Ghost Post Joint						
	Glass no performance 12mm thick tapered						
	Glass with optional fire performance 12mm thick Pyran						
	Timber Veneer pre-finished with UV lacquer						
	Timber Laminated or PVCu						
	Glass Sliding						
	Certificated Glass Doorset Assembly						
	Certificated Timber Doorset Assembly						
	Glazed Screen (Insulation and integrity)				30/30	NA	
	Glass Door in Aluminium Door Frame				FD30	31	
	Timber Door in Aluminium Door Frame				FD30	33	
	Timber Door in Timber Door Frame				FD30	25	
	Single Glazed				33 to 38 <sup>a</sup>	43 to 48 <sup>b</sup>	Severe <sup>a</sup>
	Double Glazed				NA	41 to 49 <sup>b</sup>	Severe <sup>a</sup>
	Glass Door in Aluminium Door Frame				31	32	1.5kN/m
	Timber Door in Aluminium Door Frame				33	33	80mm <sup>d</sup>
	Sliding Glass Door with threshold seals				25	NA	1.2m
	Strength & Robustness 12mm glass BS 5334-4:2014						3.0m
	Crowd Pressure (Line Load) 12mm glass						1.5kN/m
	Nominal Thickness						80mm <sup>d</sup>
	Nominal Width						1.2m
	Maximum Height (subject to design and glass type)						3.0m
Polar Single Glazed							
Polar Double Glazed							
Polar Vision Double Glazed							
PolarTec Double Glazed							
Polar 100 Single Glazed							
Polar 100 Double Glazed							

\* Junctions

<sup>a</sup> - Subject to glass type    <sup>c</sup> - Two part base channel  
<sup>b</sup> - Glass combination    <sup>d</sup> - Three part base channel

Due to a policy of continuous product development we reserve the right to change product specifications without prior notice.

For further technical specifications and technical drawing downloads visit [www.komfort.com](http://www.komfort.com)

Love the space you're in.



## Sales Offices

### Head Office – Horsham

Ashurst  
Broadlands Business Campus  
Langhurstwood Road  
Horsham  
West Sussex  
RH12 4QP  
Tel: 01403 390300  
Fax: 01403 218828  
E-mail: [general@komfort.com](mailto:general@komfort.com)

### Leeds

Unit 2  
Intermezzo Drive  
Stourton Link  
Leeds  
West Yorkshire  
LS10 1DF  
Tel: 0113 395 6565  
Fax: 0113 395 6566  
E-mail: [northern-sales@komfort.com](mailto:northern-sales@komfort.com)

### Birmingham

Unit 1  
The Hub  
Nobel Way  
Birmingham  
B6 7ES  
Tel: 0121 332 2560  
Fax: 0121 332 2565  
E-mail: [midland-sales@komfort.com](mailto:midland-sales@komfort.com)

### Southern Sales Counter

Unit 10  
Gatwick Distribution Centre  
Whittle Way  
Crawley  
West Sussex  
RH10 9RT  
Tel: 01293 577890  
(for stock/sales counter enquiries only)

### Internet

[www.komfort.com](http://www.komfort.com)

### Showrooms

#### London

14 Bonhill Street  
London  
EC2A 4BX  
Tel: 0207 256 5701  
Fax: 0207 374 8649  
E-mail: [london.showsuite@komfort.com](mailto:london.showsuite@komfort.com)

#### Leeds

Unit 2  
Intermezzo Drive  
Stourton Link  
Leeds  
West Yorkshire  
LS10 1DF  
Tel: 0113 395 6565  
Fax: 0113 395 6566  
E-mail: [leeds.showsuite@komfort.com](mailto:leeds.showsuite@komfort.com)

#### Scotland

The Skyhouse  
18 Elliot Place  
Glasgow  
G3 8EP  
Tel: 0113 395 6565  
Fax: 0113 395 6566  
E-mail: [scotland.showsuite@komfort.com](mailto:scotland.showsuite@komfort.com)



Scan the QR code to automatically download Komfort's Head Office contact details direct to your smart device. To download a QR scanner visit the relevant app store to correspond with your device.

Find us on:



ID Number: KOMPOLAR 05/13

