

DNH

Loudspeakers



< Makes the world sound >

DNH Design™



JBP-120



JBP-120EExeN



P-3x2P-54



TUNNEL-500 with DUP-40



MC-50

News

DNH designs and manufactures one of the world's largest range of loudspeakers.

Since the company was established in 1946, DNH is renowned as a supplier of high quality products.

All DNH products are engineered and designed in Norway, and almost 90% are exported around the world.

In addition to the strong niche products such as flameproof, weatherproof, vandal-proof and shockproof speakers, DNH is known for its ability to tailor products according to the customers demands.

Due to the fact that DNH manufactures almost all the components of the speaker, "non-standard" requirements such as special colour, special transformers and different cable entries can be supplied.

index

Plastic Horn Loudspeakers	4-5
Metal Horn Loudspeakers	6-7
Alarm Horn Loudspeakers	8
Music Horn Loudspeakers	9
Ex Loudspeakers	10-11
Music Masters	12-13
Cabinet Loudspeakers	14-15
Projectors	16-17
Ceiling Loudspeakers	18-19
EN-54-24	20-21
Clean Room Loudspeakers	22
Specialities	23



Miniature Horn Loudspeakers

DNH proudly presents this exciting range of high quality plastic horn loudspeakers. The HP series can be installed in all manner of harsh environments, both internal and external for public address and intercom uses.

Their frequency range and high sensitivity, combined with high corrosion resistance and pleasing design make the products stand out in terms of quality and performance.

Excellent for PA and alarm systems on ferries, railways, airports and industrial installations.



HP-6



HP-6C



HPS-6



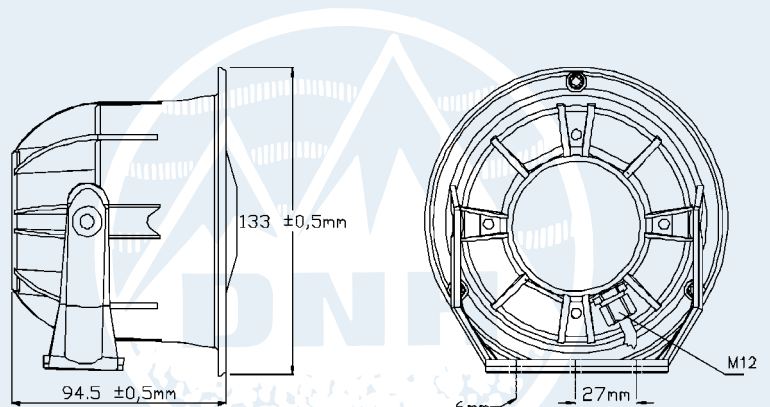
HP-8



A-45



H-44



Model	HP-6	HP-6C	HPS-6	HP-8	A-45	H-44
Material/Colour	PA/RAL 7035	PA/RAL 7035	PA/RAL 7035	PA/RAL 7035	Alu/PA/RAL 7035	Alu/PA/RAL 7035
Rated/max power, Watt	6W/ 15W	6W/ 15W	6W/ 15W	8W/ 15W	6W/10W	6W/10W
SPL/1W/1m	100 dB	100 dB	100 dB	101 dB	101 dB	101 dB
Effective freq.range, Hz	300-20000 Hz	300-20000 Hz	300-20000 Hz	300-20000Hz	300-20000Hz	300-20000Hz
Dimensions, mm	Ø97x85	Ø97x132	121x121x118	Ø133x95,5	121x121x70	Ø120x70
IP Rating	67	67	67	67	67	67

“The Sound Ambassador”



DSP-15



DSP-15L



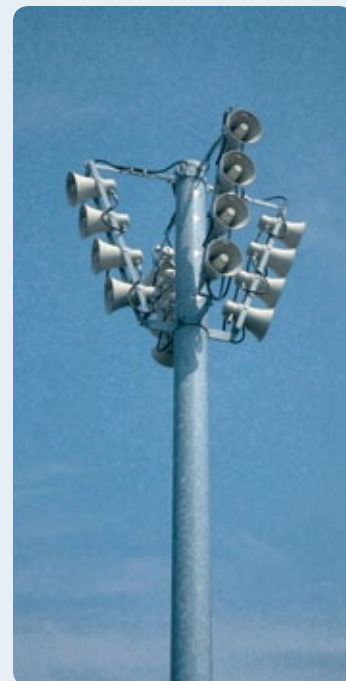
HP-10



HP-15



HP-20/30



Plastic Horn,References:

- Channel Tunnel Link, UK & France
- Nat West Tower Refurbishment Project in London
- Opel/Vauxhall plants in UK, Spain, Germany and Austria
- Bahia Plant, Brazil
- Munich Airport in Germany
- Carnival Cruise Line
- Royal Caribbean Cruise Line
- Holland American Line
- United Metallurgical Company, Russia
- Federal State Unitary Enterprise "Mining and Chemical Combine" Russia
- Titan-2 Holding, Russia
- Power plant Wilhelmshaven, Germany



DSP-15	DSP-15L	HP-10	HP-15	HP-20	HP30
ASA/RAL 7035	ASA/RAL 7035	ASA/RAL 7035	ASA/RAL 7035	PA/RAL 7035	PA/RAL 7035
15W	25W	10W/15W	15W/ 20W	20W/ 25W	30W/40W
106 dB	112 dB	106 dB	108 dB	110 dB	110 dB
330-8000 Hz	290-8000 Hz	410-8000 Hz	330-8000 Hz	310-8000 Hz	310-8000 Hz
186x247x144	349x272x201	Ø139x198	Ø200x247	Ø237x286	Ø237x286
67	67	67	67	67	67



Metal Horn Loudspeakers

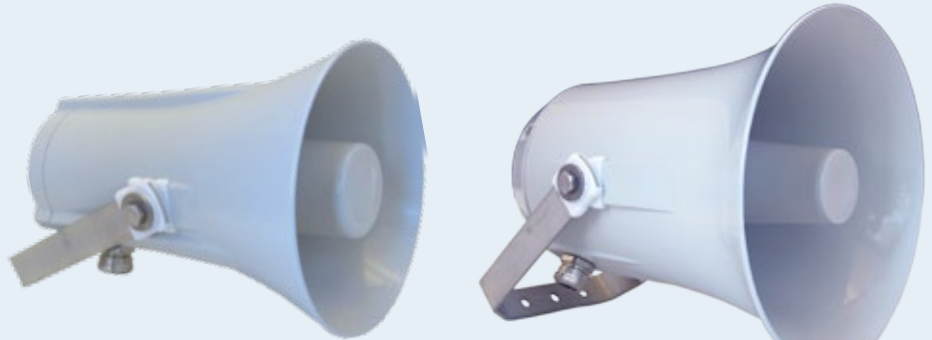
The DNH aluminium horn series represent an extremely robust range of heavy duty horn speakers.

These speakers are renowned for both high reliability and a superb efficiency, that makes them suitable for all industrial environments and public areas such as railway-stations, dockyards and manufacturing works.

The vandal-proof Safe-15 has been designed to withstand external impact as well as unauthorised access.

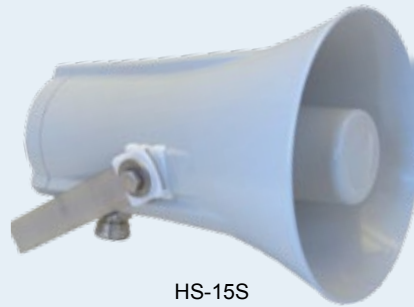
HS-15S is designed to withstand external sound shocks.($>175\text{dB}$).

HSS-15 in stainless steel, is made to withstand extremely corrosive environments.

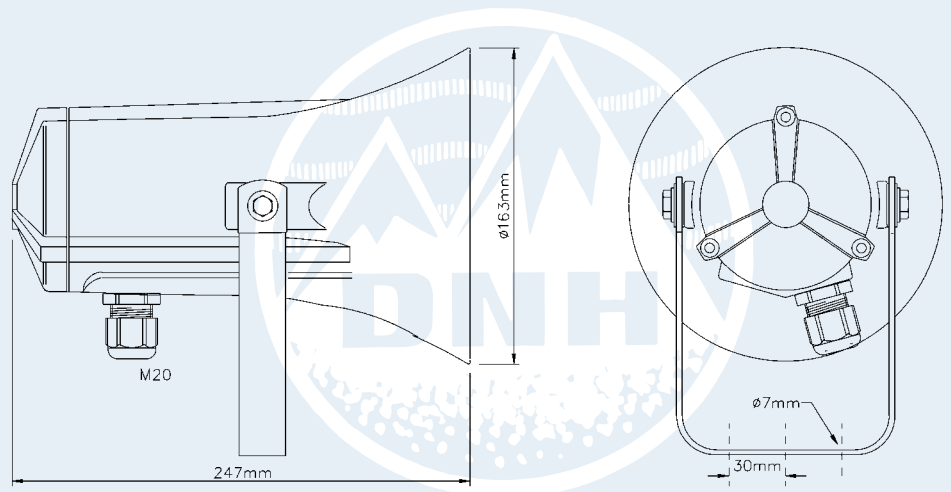


HS-15

H-66



HS-15S



Model	HS-15	H-66	HS-15 S
Material/Colour	Alu/RAL 7035	Alu/RAL 7035	Alu/RAL 7035
Rated/max power, Watt	15W/20W	25W/30W	15W/20W
SPL/1W/1m	107 dB	109 dB	107 dB
Effective freq.range, Hz	350-7500 Hz	300-7000 Hz	350-7500 Hz
Dimensions, mm	Ø163x247	Ø217x245	Ø163x247
IP Rating	67	67	55

“The Sound Ambassador”



HSS-15



SAFE-15

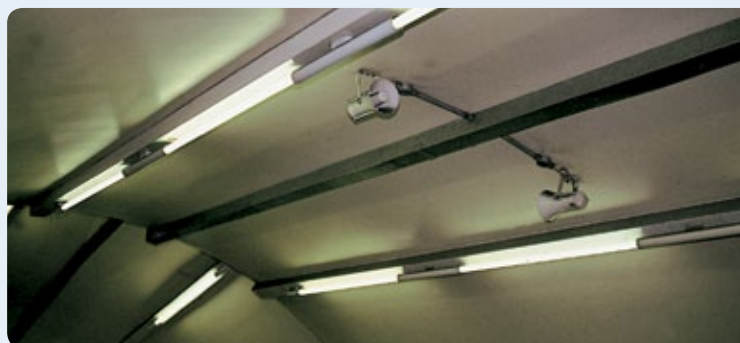


HS-8



The DNH Aluminium horn speakers have been supplied to many different projects throughout the world. Among them:

- Channel Tunnel between England and France
- Changi Prison, Singapore
- London Underground, England
- Rendsburg-Tunnel, Germany
- Tramway in Augsburg, Germany
- Electronuclear Plant, Brazil
- ASCO nuclear plant, Spain (HSS-15)



HSS-15

Stainless Steel

15W/20W

107 dB

350-7500 Hz

Ø169x245

67

SAFE-15

Alu/RAL 9010 or 3000

15W/30W

95 dB

500-7000 Hz

105x210x59

67

HS-8

Alu/RAL 7035

8W/10W

103 dB

500-6000 Hz

Ø124x141

67



Alarm Horn Loudspeakers

Alarm horns have a very high SPL value for alarm purposes.

The DNH range of Music Horns and Music Cabinets represent a unique sound performance.

The precise sound quality combined with the high sensitivity make these models superb for music reproduction.

The powerful output of the MH-50 (120 dB at 1m) will provide coverage over very large areas. Music cabinets are used in sports stadia, cruise liners, school yards, swimming pools, leisure parks and mountain resorts.



DH-50



HPA-60



DUP-40



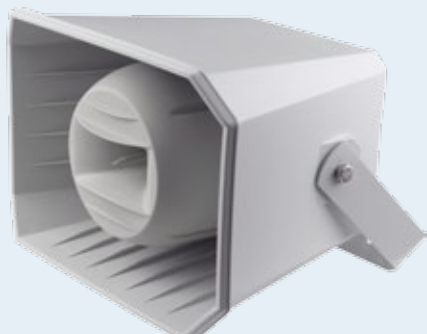
DS-100 and DST-100



TUNNEL-500 + DUP-40

Model	DH-50 with DS-100	TUNNEL-500 with DUP-40	HPA-60
Material/Colour	Fiberglass, Alu. LM 6/RAL 7035	VO	Alu PA 6/RAL 7035
Rated/max power, Watt	100W	40W	60W
SPL/1W/1m	112 dB	114 dB	110 dB
Effective freq.range, Hz	200-5000 Hz	350-8000 Hz	310-8000 Hz
Dimensions, mm	Ø508x664	507x295x1310	Ø237x250
IP Rating	67	67	67

Music Horn Speakers



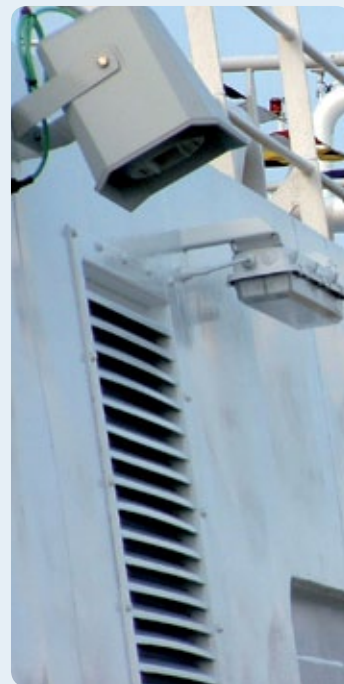
MH-50



MC-50



MC-200



DNH music horns have had an excellent reputation for many years and have been chosen for many different projects throughout the world. Among them:

- Meribel Stadium, France
- Royal Caribbean Cruise Liners
- Hurtigruta: "Trollfjord", Norway
- Carnival Cruise Line
- Narvik slalom and down hill, Norway
- Olympic Games in Athens, Greece



MH-50

PP,ABS RAL 7035

50W/80W

104 dB

140-16000 Hz

362x252x310

55

MC-50

ABS , V0 / RAL 7035

50 W / 70 W

98 dB

90 - 20000 Hz

454x227x314

55

MC-200

ABS , V0 / RAL 7035

200 W

100 dB

40 - 20000 Hz

850x358x555x

55



Explosion Proof Loudspeakers

DNH manufactures the world's most complete range of Ex loudspeakers for use in hazardous environments.

DNH offers a wide variety of heavy duty fully approved Ex-equipment, specially designed for use in military and civil installations where gases and other explosives make special precautions necessary.

CAREEX-6(T)x2 and BA-56 EExeN(T)x2 are products unique to DNH. These are designed with 2 independent loudspeakers, transformers and terminal blocks. This allows both A+B systems to be contained in a single housing.

The junction box JBP-120EExeN in antistatic PA has an IP 67 rating and 6 entries.



JBP-120EExeN



DSP-25EExmN(T)



DSP-15EExmN(T)



DSP-15EExmNL(T)



DHP/DST-40 EExeN(T)

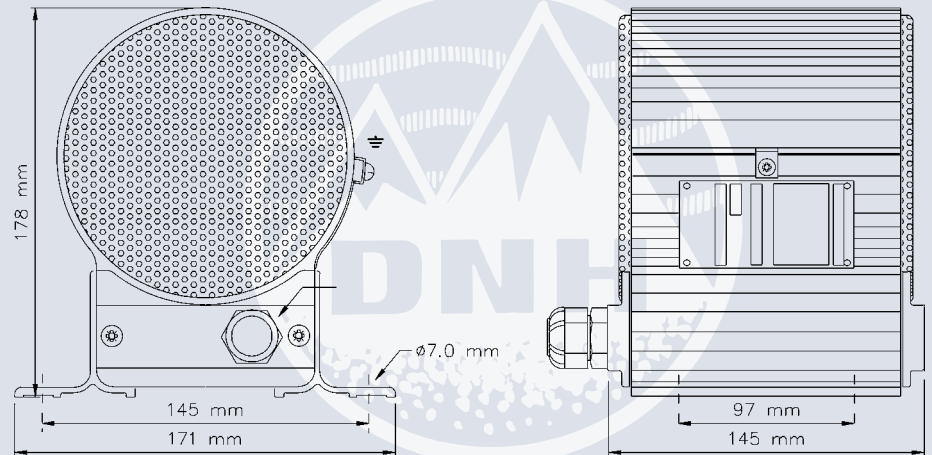


CM-6EExmN(T)



HP-20EExIIN(T)

(T): The model is delivered with transformer



Model	DSP-25 EExmN	DSP-15 EExmN	DSP-15 EExmNL	DHP/DST-40 EExeN	CM-6 EExmN	HP-20EExIIN
Material/Colour	PA/Black	PA/Black	PA/Black	Alu, PA/Black	PA/Black	PA/Black
Rated/max power, Watt	25W/25W	15W/25W	15W/25W	40W	6W	20W
SPL/1W/1m	106 dB	105 dB	109 dB	110 dB	85 dB	110 dB
Effective freq.range, Hz	370-7000 Hz	380-7000 Hz	330-7000 Hz	330-7000 Hz	300-20000 Hz	310-8000 Hz
Dimensions, mm	Ø257x340	186x207x144	342x272x197	380x368x175	137x137x53	Ø237x286
IP Rating	67	67	67	67	67	67

“Design and Performance”



HS-15EExmN(T)



HS-8EExmN(T)



H-60 EExeN(T)



CAREEX-6(T)
CAREEX-6(T)x2



BAREEX-36(T)



BA-56EExeN(T)
BA-56EExeN(T)x2



EEx References:

- Staffjord
- Oseberg øst
- Åsgård A & B
- Visund
- Britannia
- Snorre B
- GEAD
- Kollsnes
- Valhall
- Kvitebjørn
- Grane
- Balder
- Ringhorne
- Huldra
- Athena FPSO
- Ekofisk
- Piper Bravo
- Njord
- Brent
- Beryl
- Gjøa
- Kåstø Gassled

Others:

- Hibernia, Canada
- N’Kossa, Congo
- Kazakhstan
- USAN, Nigeria
- Djeno, Kongo
- Shell platforms, Malaysia
- Petrobras platforms, Brazil
- AKPO, Nigeria
- Jasmine, North Sea



HS-15 EExmN	HS-8 EExmN	H-60 EExeN	HS-15 EExIIN	CAREEX-6 CAPEEX-6	CAREEX-36 BAREEX-36	BA-56 EExeN
Alu/RAL 7035	Alu alloy/RAL 7035	Alu/RAL 7035	Alu/RAL 7035	Alu/Anod.	Alu/Anod.	Alu/RAL 9010 grille
15W	8W	20W/20W	15W	6W	6W	6W
105 dB	100 dB	106 dB	107 dB	86 dB	84 dB	88 dB
410-7000 Hz	550-7000 Hz	370-6000 Hz	370-7000 Hz	160-16000 Hz	180-15000 Hz	160-15000 Hz
Ø163x247	Ø124x141	Ø217x245	Ø163x247	Ø178x171x145	146x135x88	Ø200x172
67	67	67	67	67	67	67



Music Masters

The DNH MD-series and professional range of models are designed for applications where a combination of high quality music reproduction and clear public address are required.

These models have an exceptional frequency range and an impressive ability to transmit a distinct and very natural sound, combined with high power output.

The selection of models provide different solutions for different applications and are suitable for use in environments such as shopping malls, restaurants, bars, hotels, churches, conference rooms etc.



MD-200



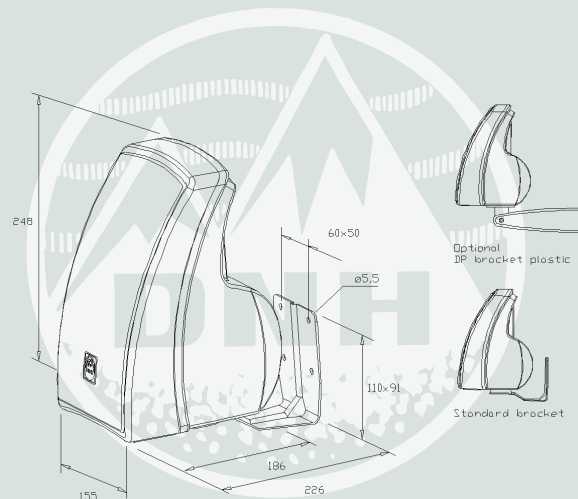
MD-120



MD-60



MD-40



Model	MD-200	MD-120	MD-60	MD-40
Material/Colour	PE/Black	PE,Black	ABS/Black/White	ABS/Black/White
Rated/max power, Watt	200W/300W	120/150W	60/100W	40/60W
SPL/1W/1m	100 dB	91 dB	90 dB	85 dB
Effective freq.range, Hz	60-20000 Hz	35-20000 Hz	45-20000 Hz	70-20000 Hz
Dimensions, mm	430x485x320	475x326x330	203x335x250	148x155x186
IP Rating	54	44*	44*	44*

* IP mounted with the grill 30 degrees downwards

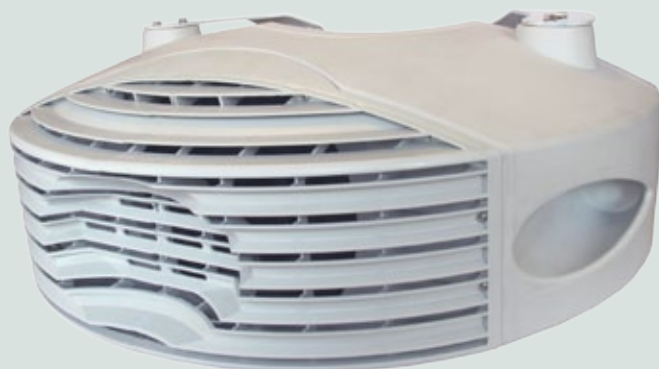
“The Height of Performance”



BMD-60



MC-50



MC-200



Music Masters, References:

- Lisbon Z00, Portugal
- Football stadium, Leverkusen, Germany
- Swimming pools, Paris
- Airport Hahn, Germany
- Trud stadium, Russia
- Football stadium, Troyes, France
- Lorient Museum, France



BMD-60

ABS/Black/White

60W/100W

90 dB

45-20000 Hz

Ø292x205

44

MC-50

ABS , V0 / RAL 7035

50 W / 70 W

98 dB

90 - 20000 Hz

454x227x314

55

MC-200

ABS , V0 / RAL 7035

200 W

100 dB

40 - 20000 Hz

850x358x555x

55



Cabinet Loudspeakers

DNH offers a wide range of cabinet loudspeakers for different applications. Common for all models are easy installation, colour options, and an aesthetically pleasing design. Ideal for public address and background music systems.

Several models are suitable for both indoor and outdoor use.

Our cabinet models are designed for use in public places, airports, churches, conference rooms, sports arenas as well as industrial environments.



B-406



BLC-550



CW-4



CAS-30



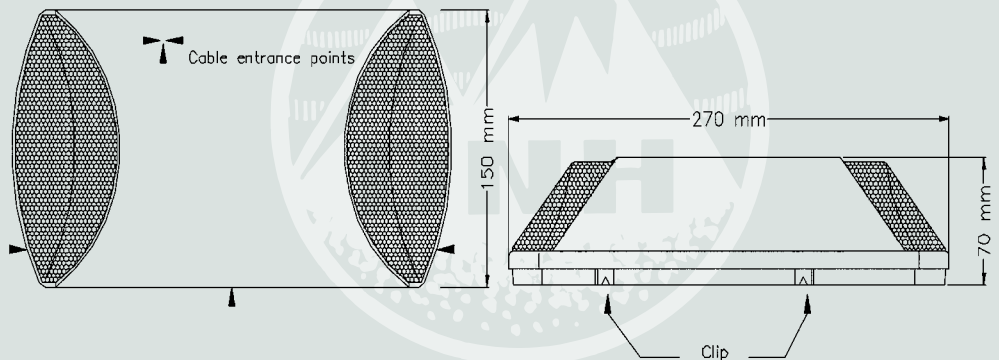
CAS-15



CAS-6



CAU-4



Model	B-406	BLC-550	CW-4	CAS-30	CAS-15	CAS-6
Material/Colour	ABS/RAL-9002	ABS/RAL-9010	Particle board/nut	Alu/PA/white/anod.	Alu/PA/white/anod.	Alu/PA/white/anod.
Rated/max power, Watt	6W/8W	6W/10W	4W/8W	30W/40W	15W/20W	6W/10W
SPL/1W/1m	92 dB	90 dB	90 dB	90 dB	89 dB	88 dB
Effective freq.range, Hz	230-20000 Hz	140-20000 Hz	150-20000 Hz	120-20000 Hz	120-20000 Hz	130-20000 Hz
Dimensions, mm	210x210x66	Ø206x85	252x171x84	102x111x610	102x111x307	102x111x187
IP Rating				54	54	54

“Loud and Clear”



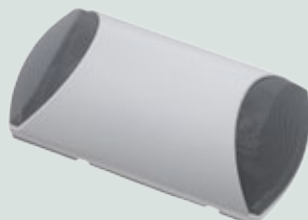
SAFE-m6



SAFE-10 P



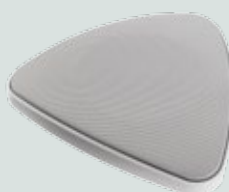
CP-6



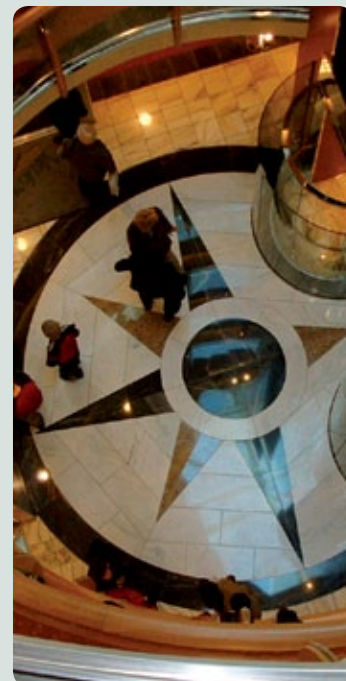
CP-66



P-3x2P



TRIC-6



Cabinet Speakers, References:

- Malpensa Airport, Milano, Italia
- National Public Hospital, Oslo, Norway
- Madrid Underground, Spain
- Hamburger Hochbahn, Germany
- Amman Airport, Jordan
- NSB, The Norwegian Railways
- Holy Trinity Church, Sheffield, UK
- Singaporean Coastguard, Singapore
- London Underground
- Opera Paris, France
- Polish Parliament, Poland
- Surgutneftegaz, Russia



CAU-4	SAFE-m6	Safe-10P	CP-6	CP-66	P-3x2P	TRIC-6
Alu/RAL-7035	Alu/white/red	ABS/RAL-9010	ABS/RAL-9010	ABS/RAL-9010	Ronfalin/RAL 7035	ABS/RAL 9010
4W/8W	6W/10W	10W/15W	6W/10W	6W/10W	15W/20W	6W
90 dB	85 dB	85 dB	86 dB	86 dB	93 dB	88 dB
140-16000 Hz	190-20000 Hz	160-20000 Hz	150-20000 Hz	170-20000 Hz	180-16000 Hz	180-18000 Hz
128x237x106	105x210x59	104x206x55	193x149x70	270x149x70	92x210x70	220x220x38
55	56	44			54	

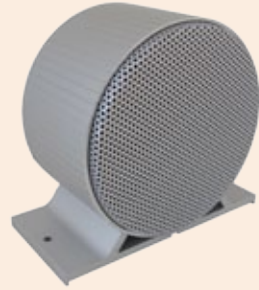


Projectors

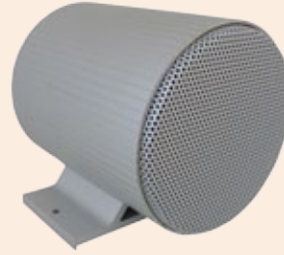
The DNH projector loudspeakers represent a wide range of options.

These models cover multiple applications for indoor as well as outdoor use. In addition to the standard models, we offer different specialities such as weather proof and fire proof versions, and of course colour options. The ideal versions for maximum sound coverage and high performance.

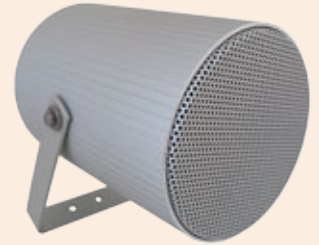
Projectors are excellent for both public address and background music systems, in and outdoors. Ideal for use in airports and railways.



CAR-4



CAR-6



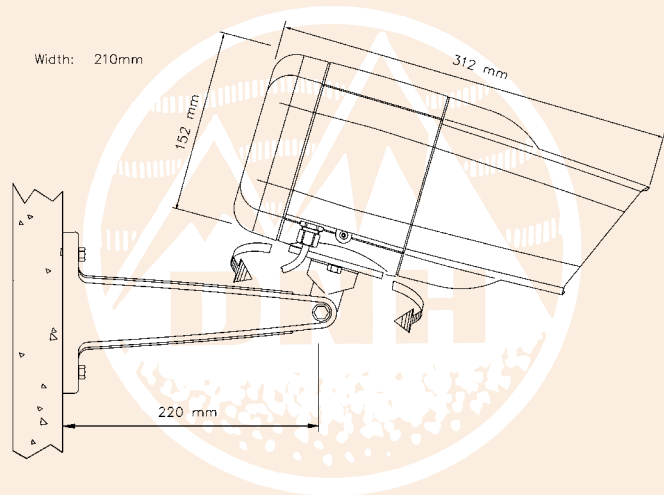
CAP-15W



PROSOUND-300



DP-10 / DP-30



Model	CAR-4	CAR-6	CAP-15W	PROSOUND-300	DP-10
Material/Colour	Alu/white or anod.	Alu/White or anod.	Alu/White or anod.	PA/RAL 9005 or 7035	Ronfalin/RAL 7035
Rated/max power, Watt	4//6W	6W/10W	15W/20W	30W/50W	10W/15W
SPL/1W/1m	90 dB	90 dB	92 dB	85 dB	94 dB
Effective freq.range, Hz	150-16000 Hz	150-20000 Hz	150-20000 Hz	125-20000 Hz	140-16000 Hz
Dimensions, mm	175x152x90	175x152x175	Ø146x200	157x178	152x315x210
IP Rating			55	54	55

“Design and Performance”



DPD-10 / DPD-30



PS-6



VEP-6



BIVEP-6



VEP-15

References:

- Deutsche Bahn, Germany
- Metro in Athens, Greece
- Amman Airport, Jordan
- London Underground, England
- Malpensa Airport, Milano, Italy
- Carnival Cruise Line
- RCCL Cruise Line
- Underground in Madrid, Spain
- Heathrow Airport, London
- Olympic Games, Greece
- Schiphol Airport, Amsterdam
- Zurich Airport, Switzerland



DP-30	DPD-10	DPD-30	PS-6	VEP-6	BIVEP-6	VEP-15
Ronfalin/RAL 7035	Ronfalin/RAL 7035	Ronfalin/RAL 7035	PA/RAL 7035	ABS/RAL 7035	ABS/RAL 7035	ABS/Vo/White
30W/50W	10W/15W	30W/50W	6W/15W	6W/15W	6W/15W	15W/20W
89 dB	91 dB	88 dB	85 dB	87 dB	82 dB	92 dB
110-20000 Hz	140-16000 Hz	100-20000 Hz	150-18000 Hz	170-20000 Hz	155-20000 Hz	150-20000 Hz
152x315x210	152x210x455	152x210x455	157x160	110x127	110x167	Ø162x205
55	55	55	56	44	44	55



Ceiling Loudspeakers “Metal”

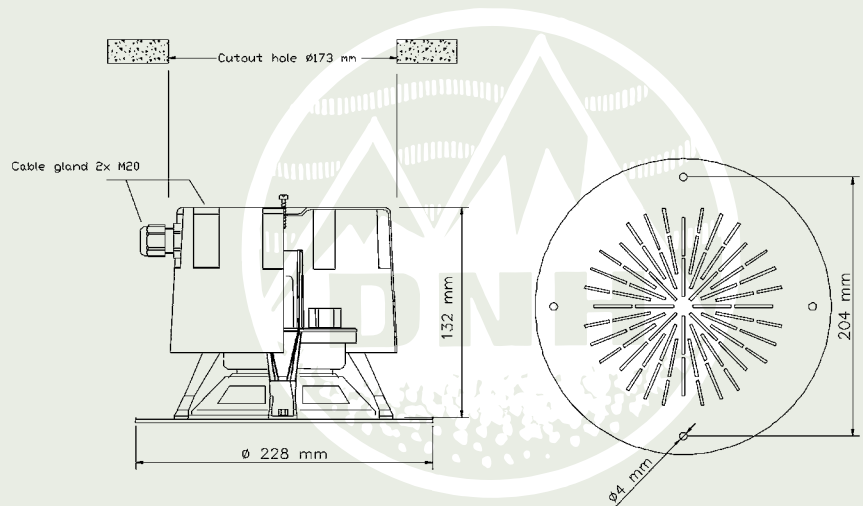
DNH offers several models of metal and plastic ceiling loudspeakers in different design and shape. Mounting ranges from the conventional screw fitted type (B-560, B-620 and BS-660), to easy spring mounting (BK-560).



The models BP-560, BP-660 and BP-860 will have no visible screws.

The prob versions of B-560 and B-620 are fitted with two-way loudspeaker systems for extended frequency range and high power.

Our ceiling loudspeakers are available with dust-boxes in V0 plastic or steel fire-domes.



Model	B-560	BS-560	BK-560	B-620	VES-360	VES-561	VES-661
Material/Colour	PA V0/Alu/RAL9010	Alu/RAL9010	PA V0/Alu/RAL 9010	PA V0/Alu/RAL9010	Steel,Alu/RAL9010	Steel,Alu/RAL9010	Steel/Alu/White
Rated/max power, Watt	6W/10W	6W/15W	6W/10W	6W/15W	6W/8W	6W/8W	6 W / 10 W
SPL/1W/1m(dB)	90 dB	90 dB	90 dB	92 dB	90 dB	90 dB	92 dB
Effective freq.range, Hz	110-20000 Hz	110-20000 Hz	100-20000 Hz	80-20000 Hz	180-12000 Hz	180-12000 Hz	130-20000 Hz
Dimensions, mm	Ø165x105	Ø167x95	Ø165x105	Ø228x109	Ø165x112	Ø165x112	Ø220x129
IP Rating							

“High Performance” “Plastic”



BP-560



BP-660



BP-860



B-650



BPF-660

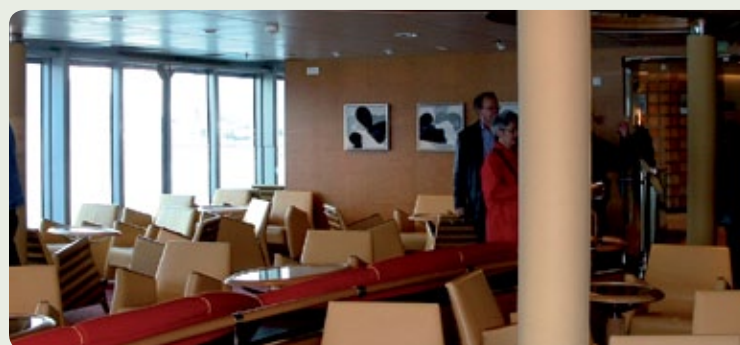


BMD-60



Ceiling speakers, references :

- Malpensa Airport, Italy
- Carnival Cruise Line
- Holland American Line
- McDonalds Restaurants
- Marks & Spencer, Athens, Greece
- London Underground, UK
- BPC 1,2,3 (French army)
- Bergensbanen, Oslo- Bergen, Norway



BP-560	BP-660	BP-860	B-650	BPF-660	BMD-60
PA ABS/RAL 9010	PA ABS/RAL 9010	ABS/RAL 9010	ABS grille/white	PA ABS/RAL 9010	ABS/RAL 9010
6W/10W	6W/20W	6W/20W	6W/15W	6W/20W	60W/100W
90 dB	93 dB	90 dB	90 dB	93 dB	90 dB
110-15000 Hz	100-20000 Hz	45-20000 Hz	140-18000 Hz	170-20000 Hz	45-20000 Hz
Ø190x120	Ø237x133	Ø290x210	Ø232x129	Ø237x133	Ø292x205
			42	54	44



EN-54-24 Loudspeakers

EN-54-24

If you use loudspeakers to broadcast a warning of fire to occupants of a building, the loudspeakers themselves have to be certified according to EN-54-24

Voice alarm

In buildings where a large number of people are likely to be present, such as airports, rail stations and large office complexes a voice evacuation should be installed.

Of course it is imperative that any system designed to provide the public with information about evacuation procedures, must continue to operate throughout the duration of any incident, or until such time as everybody has been removed from the area of danger.



SAFE-561-54



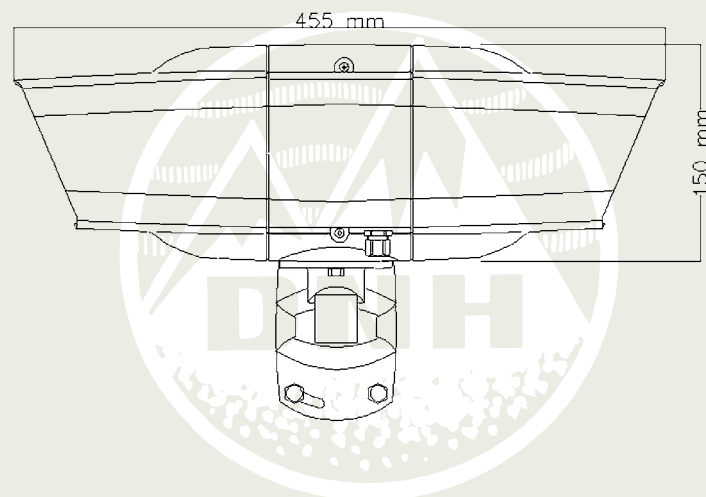
VES-561-54



DP-10-54



DPD-10-54



Model	SAFE-561-54	VES-561-54	DP-10-54	DPD-10-54
Material/Colour	Steel/RAL 9010	Steel,Alu/RAL 9010	Ronfalin 5VA/RAL 7035	Ronfalin 5VA/RAL 7035
Rated power, Watt	6W	6W	6W	6W
Termination	Ceramic terminal	Ceramic terminal	Screw terminal	Screw terminal
SPL/1W/1m	90 dB	90 dB	93 dB	90 dB
Effective freq.range, Hz	180-13000 Hz	180-13000 Hz	140-12000 Hz	120-12000 Hz
Dimensions, mm	Ø169x65	Ø165x112	152x315x210	152x210x455
IP Rating	22	22	55	55

“Design and Performance”



P-3x2P-54



CAS-15-54



LP-210-54



P-3x2P-54

Ronfalin/RAL 7035

15W

Screw terminal / 0,5m cable

94 dB

180-15000 Hz

92x210x70

55

CAS-15-54

Alu/white/anod.

15W

Ceramic terminal

92 dB

160-20000 Hz

102x111x307

56

LP-210-54

Ronfalin/RAL 7035

10W

Ceramic terminal

100 dB

350-20000 Hz

204x138x98

56



Clean Room Loudspeakers

Clean Room

The DNH range of clean room loudspeakers (CR) is developed specially to meet the demand for cleanliness in certain environments such as production facilities for micro-electronics, pharmaceutical industry, photo industry and laboratories.

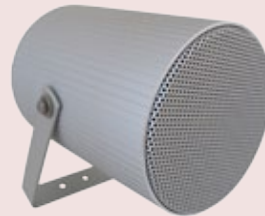
Our Aqua-30 underwater loudspeaker is 100% water proof and has excellent performance in or out of water. Unique design and supplied with 5 m cable.

A + B System

Our loudspeakers VES-661x2 and BP-660x2 are fitted with two complete loudspeaker systems, two separate loudspeakers, two transformers and two terminals in one enclosure (A + B system in one enclosure)



BLC-550 CR



CAP-15W CR



CR-6

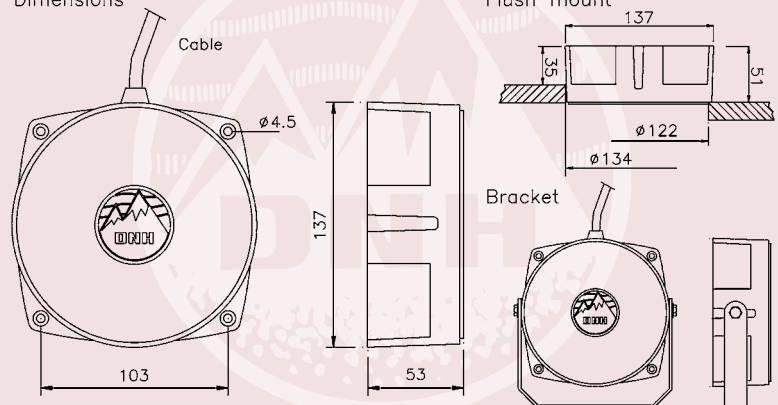


BK-560 CR



BP-560 CR

Dimensions



Model	BLC-550 CR	CAP-15W CR	CR-6	BK-560 CR	BP-560 CR
Material/Colour	ABS/RAL 9010	Alu, PA/RAL9010, anodized	PA/RAL 9010	Aluminum/RAL9010	PAABS/RAL9010
Rated/max power, Watt	6W/15W	15W/15W	6W/30W	6W/10W	6W/10W
SPL/1W/1m	88 dB	85 dB	85 dB	88 dB	88 dB
Effective freq.range, Hz	140-12000 Hz	125-12000 Hz	280-20000 Hz	140-12000 Hz	70-12000 Hz
Dimensions, mm	Ø206x85	Ø146x200	Ø137x53	Ø165x105	Ø190x120
IP Rating					

Specialities



VES-661 x 2



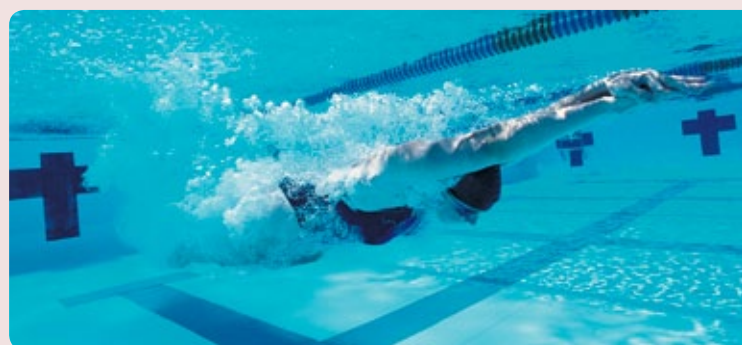
AQUA-30



BP-660 x 2



AQUA-30 Shock absorber



VES-661 x 2

Steel / RAL 9010

6W / 2x6W

93 dB

240-13000 Hz

Ø220x129

BP-660 x 2

ABS / RAL9010

6W / 2x6W

93 dB

240-13000 Hz

Ø237x120

AQUA-30

PA / BLUE

20W/30W

105 dB

80-20000 Hz

137x137x53

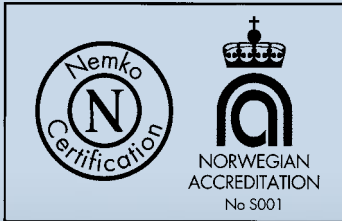
68

AQUA-30 Shoch absorber

Silicone rubber / Orange

145x145x82

NS-EN ISO 9001 Certified



“The original DNH design”

**The Buyer
of DNH loudspeakers
benefits from the research
and engineering which DNH has
performed for more than 65 years in
developing high class loudspeakers for
every purpose and demand. This experience,
combined with the most careful selection of
materials and the strictest manufacturing
controls, will assure you performance of
highest quality.**

**During all stages of our manufacturing and
production process, a fully documented and
Approved Quality Assurance system to
ISO 9001 is imposed.**

Head Office:
DNH AS
NO-3770 KRAGERØ
NORWAY
TEL.: +47 35 98 56 00
FAX: +47 35 98 56 10

Germany:
DNH GmbH
NEUMANN REICHARDT-
STRASSE 27-33,
D-22041 HAMBURG
TEL.: +49 (0) 40 - 65 69 30-0
FAX: +49 (0) 40 - 65 69 30 30

England:
DNH WW. Ltd.
31 CLARKE RD,
MOUNT FARM, BLETCHLEY
MILTON KEYNES, MK1 1LG,
ENGLAND
TEL.: +44 1908 275 000
FAX: +44 1908 275 100
E-mail: dnh@dnh.co.uk
www.dnh.co.uk

Asia-Pacific/Middle East:
DNH
BUcheon,
SOUTH KOREA
MOBILE: +82 10 6425 1980
E-mail: andy@dnh.no
www.dnh.no

USA:
DNH Speakers inc.
900 CALCON HOOK ROAD
BAY 16, SHARON HILL
19079 PA, USA
TEL.: +1 484 494 5790
FAX: +1 484 494 5793

E-mail: dnh@dnh.no
www.dnh.no

E-mail: dnh@dnh.de
www.dnh.de

E-mail: dnh@dnhspeakers.com
www.dnhspeakers.com

October 2013