

## Data Sheet – Corevista ‘Corelight’ T7 (Tube Series)



AC/T7C/AR Panel

AC/T7C/AT Panel

AC/T7C/AT Panel

### Overview

Corevista panels are structurally bonded transparent and translucent elements for architects and interior designers who are looking for innovative ways to transmit light whilst still maintaining a level of privacy and structural integrity. Corevista offers a standard product ‘Corelight’ T7 in 18mm thickness which is ideal for furniture and interior related projects. We can also offer bespoke thicknesses to provide the designer with more freedom to achieve the effect they really desire.

### T7 Tube Series

The standard T7 Tube series uses a plastic tubular core of 7mm diameter tubes. By varying the core thickness and skin materials, this creates a stunning visual effect and at the same, creates a lightweight structural panel.

### Panel options

**Skins:** 3mm Acrylic (Standard) Options: Polycarbonate, PET  
**Core:** T7 regular 7mm diameter Clear (C) plastic tubes (colours on request, B Black, W White)  
**Thickness:** Typically 18mm . Options 10mm – 100mm\*  
**Panel Size:** Standard 3000mm x 1000mm, Options 2500mm x 1250mm, 3000mm x 1250mm.  
**Weight:** Typically from 7kg/sqm. Lighter on request

### Specifications

Corelight Panels are specified as **skin type/core type/skin type**. You choose what you want. Examples as follows:

**Skins:** AC = Acrylic Clear    AF: Acrylic Frosted    AT: Acrylic Tinted colour    AM=Acrylic Mirror  
 AR = Acrylic Rainbow    AS: Acrylic Satin  
**Core:** T7C = Tube -7mm regular clear tubes, T7B Black Tubes\*, T7W White Tubes\* T7S Special Colours\*  
 (\*minimum quantities required, typically 150sqm+)

### Specify your panel with any skin and core mix

AC/T7/M Clear skin/T7 Tube/Mirror skin    AF/T7/AC Frosted skin/T7 Tube/Clear skin

AR/T7/AC Rainbow skin/T7 Tube/Clear skin

### Applications

Interior partitioning, back lit walls, screens, doors, translucent ceiling tiles, floors, tables, furniture, etc. Corevista does not recommend CoreLight as a panel for external use.

### Fire rating

BS 476, Part 7. Class 3 for acrylic skin material, Class 1Y for polycarbonate and PET skin material.

### Note:

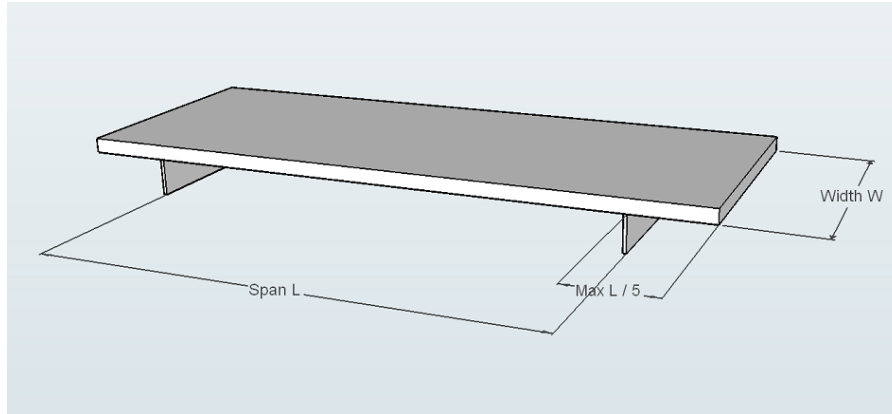
Please check with Corevista to confirm individual project specifications. In any instance where corevista products are intended for structural use, please check with our office for design suitability.

### Disclaimer

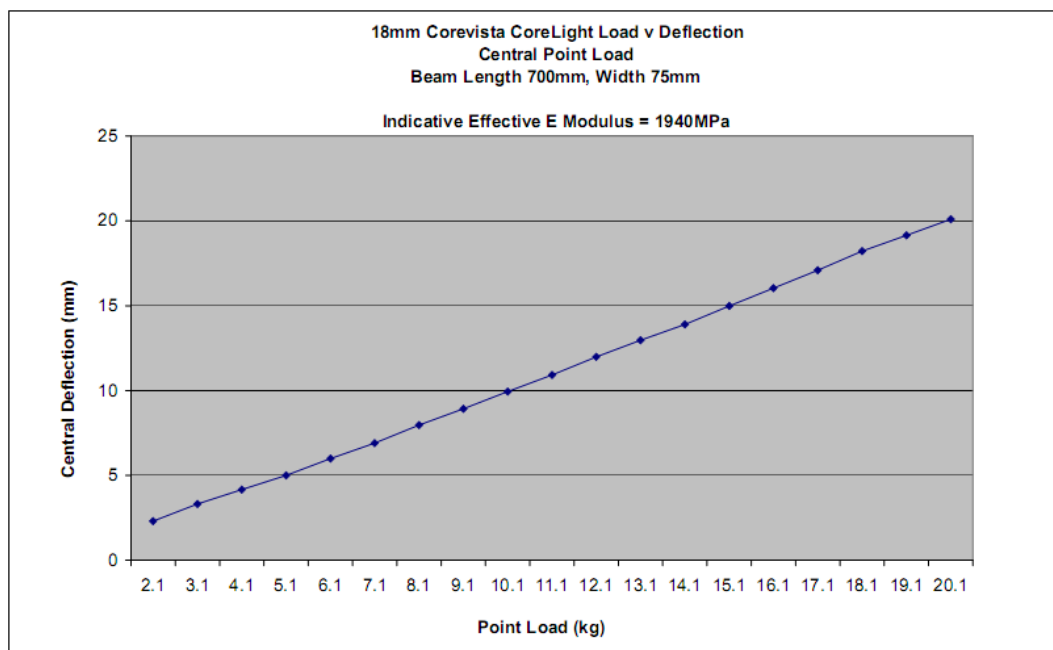
Whilst we take every care to produce a first class product, due to the nature of the materials and the hand made production techniques implemented during manufacture, Corevista Ltd offer no guarantee with regard to either individual panels, or a series of panels providing a consistent and/or regular core layout.

Technical information and specifications within this document are a general guide only and are subject to change without notice. Corevista Ltd does not accept responsibility for any information which is found to be misleading.

## CoreLight Shelf Loading Guide



| Shelf Width W (mm)   | 250  | 300  | 350  | 400  | 350  | 400  | 450  | 500  | 450  | 500  | 550  | 600  |
|----------------------|------|------|------|------|------|------|------|------|------|------|------|------|
| Shelf Span L (mm)    | 600  | 600  | 600  | 600  | 750  | 750  | 750  | 750  | 900  | 900  | 900  | 900  |
| Panel Thickness (mm) | 18   | 18   | 18   | 18   | 18   | 18   | 18   | 18   | 18   | 18   | 18   | 18   |
| Point Load (Kg)      | 7.3  | 7.3  | 7.3  | 7.3  | 10.7 | 10.7 | 10.7 | 10.7 | 14.7 | 14.7 | 14.7 | 14.7 |
| Deflection D (mm)    | 1.5  | 1.3  | 1.1  | 1.0  | 3.1  | 2.7  | 2.4  | 2.2  | 5.7  | 5.1  | 4.7  | 4.3  |
| Linear Load (Kg/M)   | 12.2 | 12.2 | 12.2 | 12.2 | 14.3 | 14.3 | 14.3 | 14.3 | 16.3 | 16.3 | 16.3 | 16.3 |
| Deflection D (mm)    | 1.0  | 0.8  | 0.7  | 0.6  | 1.9  | 1.7  | 1.5  | 1.4  | 3.6  | 3.2  | 2.9  | 2.7  |



### Note:

Please check with Corevista to confirm individual project specifications. In any instance where corevista products are intended for structural use, please check with our office for design suitability.

### Disclaimer

Whilst we take every care to produce a first class product, due to the nature of the materials and the hand made production techniques implemented during manufacture, Corevista Ltd offer no guarantee with regard to either individual panels, or a series of panels providing a consistent and/or regular core layout.

Technical information and specifications within this document are a general guide only and are subject to change without notice. Corevista Ltd does not accept responsibility for any information which is found to be misleading.