

SUPERMOVER



**Powerful
Compact
Adaptable
Easy to use
Economical
Problem solvers**

The **Supermover** is an industrial tug development of the highly successful Motor Mover, and uses the Motor Mover's weight transfer technology to manoeuvre payloads much heavier than itself - up to 20 tonnes. The **Supermover's** small size means that it can operate in areas not suited to other larger tractors or fork lifts, and being pedestrian operated, no special license is required. There are three main versions: the Mini, the Maxi and the Major. The Mini is, as its name suggests, the smallest and really comes into its own where space is at a premium. The Maxi is the best general purpose machine with a good battery life and pulling capability. The Major is for those really large loads with plenty of battery capacity. There are two main coupling systems, the semi automatic - for loads up to three tonnes where speed of coupling is important, and the jacked weight transfer for heavier and more awkward loads. To facilitate coupling with either system the front of the **Supermover** kneels down. We are able to design and build special couplings, trolleys and trailers to suit your application.





SUPERMOVER

Specifications

All versions are strongly built on a 5mm thick steel or stainless steel chassis. Steel versions finished in powder stoved enamel. Stainless versions polished to customer specification. Weights of loads to be moved will depend on rolling resistance and type of coupling. As a general guide the Mini handles 250kgs to 5,000kgs, the Maxi 500kgs to 10,000kgs And the Major up to 20,000kgs.

The **Supermover** range of industrial tugs have as standard:-

- Variable speed forward and reverse controllers. Maximum speed 5 kph.
- Programmable control parameters.
- Self diagnostic electrical test system.
- Auto reverse operator safety button.
- CE marked and certificated.
- Electric parking brake, foot and hand guards
- Battery meter with hour meter.
- Key ignition and sounder.

Mini

- Motor 1,200 Watts
- 24 Volts
- Batteries 38 Amp Hours

Maxi

- Motor 1,200 Watts
- 24 volts
- Batteries 65 Amp Hours

Major

- Motor 2,000 Watts
- 24 Volts
- Batteries 75 Amp Hours

MOTOR MOVER LTD

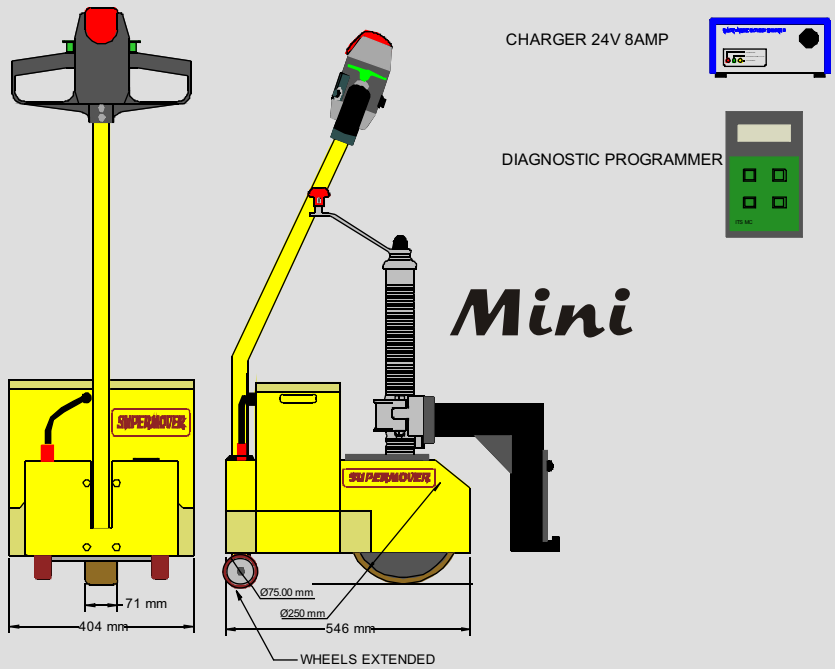
MAIN ROAD, MAYFIELD
NEAR ASHBOURNE
DERBYSHIRE DE6 2LE
UNITED KINGDOM

Tel: 0044(0)1335 345494

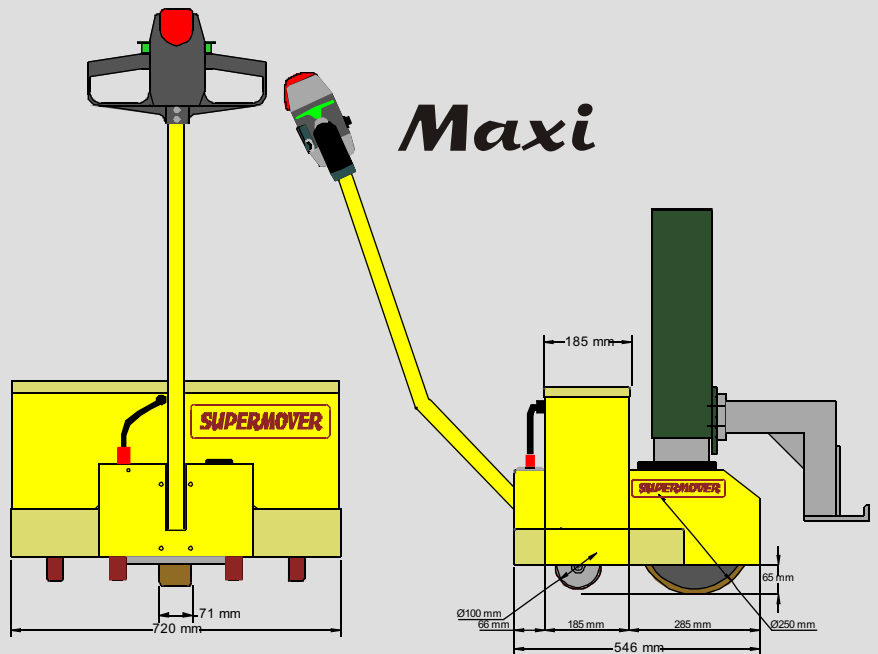
Fax: 0044(0)1335 347373

E Mail: sales@motormover.com

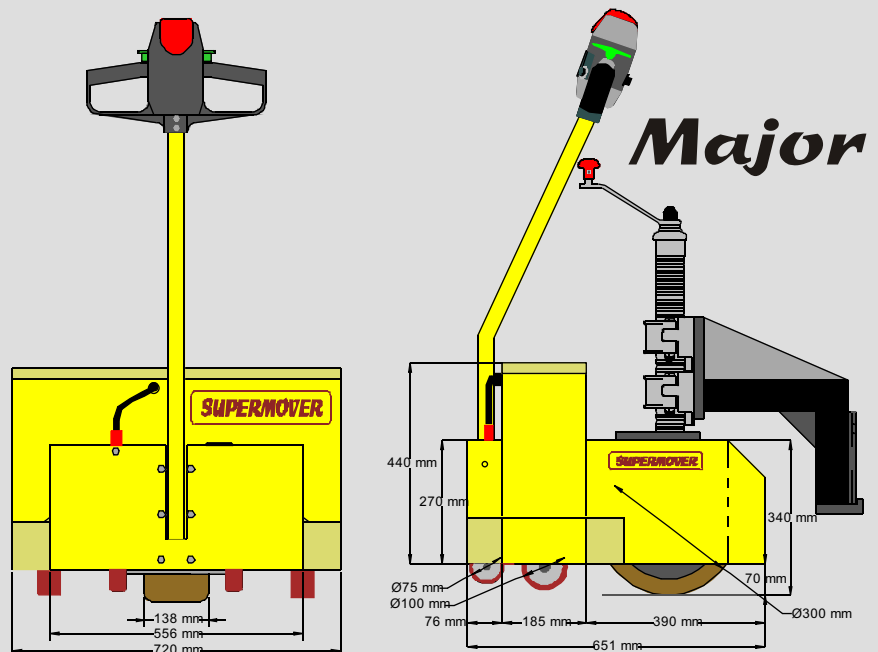
[Http://www.motormover.com](http://www.motormover.com)



Mini



Maxi



Major