

NATURAL LIGHT TUBULAR SKYLIGHTS

Increase natural light in your home.
Install in only a few hours.

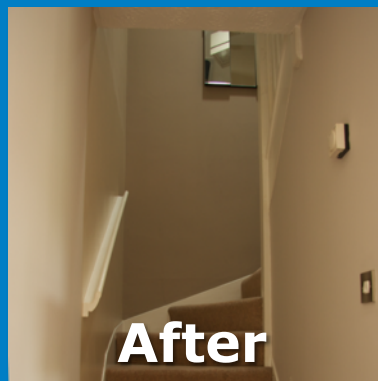


10-year guarantee
Easy Installation
98% Light Reflectivity

Although the main feature of a tubelight is to allow daylight to be directed to parts of the home which could not otherwise receive daylight there are also advantages to installing a Natural Light Tubular Skylight where a traditional window or skylight could be used.

Read more on the following page...

- Simple installation • Energy efficient •
 - Soft light • reduced UV-rays •
 - Condensation Release System •
- Suitable for any roof pitch and finish •



Call us on **0114 408 1000**
for further information

**Rooflights
&
Glazing**

Rooflights & Glazing UK Ltd

Unit 5, Ironbridge Industrial Estate, 397 Retford Road, Sheffield South Yorkshire S13 9WA
Tel: 0114 408 1000 | Fax: 0114 238 5511 | E-mail: sales@rooflightsandglazing.co.uk
Web: www.rooflightsandglazing.co.uk

CERTIFIED
DEALER



**Natural
Light**

Why buy a Natural Light Tubular Skylight?

Light hard-to-reach rooms

The reflective light-pipe and elbow allow light transmission to areas of the house where traditional windows or skylights cannot be installed.

Easy installation

From start to finish installation of these skylights should only take two to three hours. Installation costs are much lower than traditional skylights or windows and much less structural work is required.

Tubular Skylights Emit More Light

Tubular skylights emit more light than traditional skylights. Sunlight is bounced through a tube of highly reflective material. Traditional skylights are inefficient when the Sun's angle is low.

Tubular Skylights Are More Energy Efficient

Tubular skylights are far more energy efficient than traditional skylights. The sealed shaft (and smaller surface area?) minimizes the transfer of heat or cold into your home.

Tubular Skylights Diffuse Incoming Light

No more hotspots! Unlike traditional skylights and windows, which can produce a hot spot of harsh light when the Sun shines directly through the glazing, the diffuser on the Tubular Skylights ensures that all the sunlight is evenly distributed throughout the room. This provides gentle, natural lighting.

Eliminate Harmful UV Rays

These Tubular Skylights absorb 99% of harmful UV-rays helping to prevent the fading of carpets and furniture. Most traditional skylights do not block out these harmful UV rays.



Leak-Proof

Natural Light Tubular Skylights incorporate an exclusively designed dome system with a stress absorbing seamless aluminum collar. This collar prevents the acrylic dome from cracking when the temperature fluctuates. Also, Natural Light's flashing is seamless preventing water from seeping in. Traditional skylights are usually manufactured with rolled seams or are tack welded - and therefore prone to developing leaks.

Which Size Tubular Skylight Should I Buy?

Natural Light Tubular Skylights are available in three sizes for standard residential installations.

10" (254mm) Tubular Skylights

The 10" (254mm) model is our most popular skylight and illuminates up to 10m² (equivalent of up to 300 watts).

Suitable for: bathrooms, hallways, closets, small kitchens, bedrooms, laundry rooms, small workspace.



13" (330mm) Tubular Skylights

The 13" (330mm) model illuminates up to 20m² (equivalent of up to 500 watts).

Suitable for: master bedrooms, master bathrooms, kitchens, family rooms, living rooms, home offices, garages, work rooms.



18" (457mm) Tubular Skylights

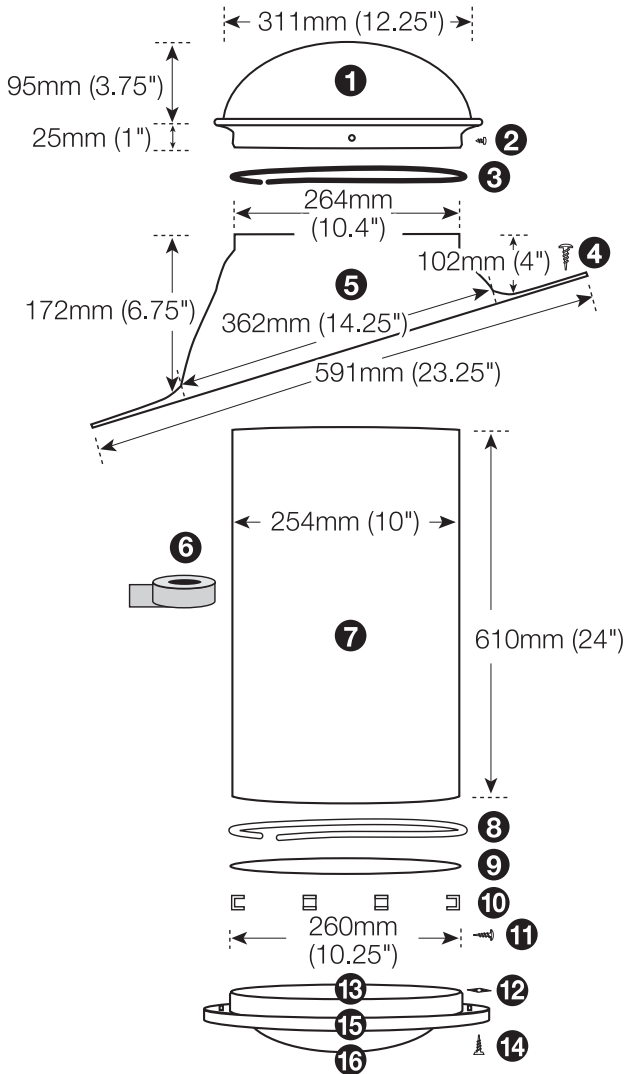
Note: the 18" models are designed for homes and commercial buildings built on centers of 24" (600mm).

The 18" (457mm) model illuminates up to 40m². Equivalent of up to 1000 watts.

Suitable for: master bedrooms, master bathrooms, large kitchens, large family rooms, large living rooms, large garages, commercial offices.



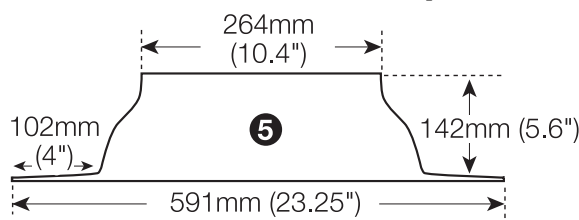
Coverage area: up to 150 square feet
Wattage output equivalent: up to 300 watts
Maximum tubelight length: 18 feet (1170mm tubing supplied)



10" (254mm) Tubelight Parts List

- 1) Clear, UV-protected, 100% high impact modified acrylic dome.
- 2) (4) Phillips head stainless steel 6mm sheet metal screws.
- 3) Black nylon gasket (self-adhesive backed).
- 4) (6) Phillips head stainless steel 38mm screws.
- 5) Commercial pure grade, 1100 series aluminium flashing.
- 6) Heavy duty foil tape.
- 7) Light pipe — up to 1170mm coverage (in length) per kit.
- 8) White nylon gasket (self-adhesive backed).
- 9) (1) Large and (2) small polycarbonate lenses (energy conservation kit).
- 10) (4) U-channel PVC tabs (self-adhesive backed).
- 11) (6) Tek screws.
- 12) (3) Black speed nuts.
- 13) Aluminium ceiling ring.
- 14) (3) 38mm Phillips head screws.
- 15) White powder coated aluminium trim ring.
- 16) Choice of soft white or prismatic diffuser.
- 17) Angled light tube elbow, flashing skirt (pitched roof only) and sealant - all supplied but not pictured.

Optional Flashings



Flat Roof Flashing



Curb Flashing