

March 2012



Outlook Polycarbonate Flat Roof Circular Dome Rooflight

'Natural Daylight supplied here'



Rooflights & Glazing UK Ltd, Unit 5 Ind Estate, 397 Retford Road, Sheffield. S13 9WA. Company Registration: 05694006
Tel: 0114 4081000 Fax: 0114 2385511 Website: www.rooflightsandglazing.co.uk Email: sales@rooflightsandglazing.co.uk

Outlook Polycarbonate Flat Roof Circular Dome Rooflight

Tel: 0114 4081000

Fax: 0114 2385511

Outlook Polycarbonate Flat Roof Circular Dome Rooflight

The Outlook range is a high quality product in a limited range of sizes meeting the basic needs of Roofers, Builders & Developers without sacrificing material specification.

The Outlook range features a DOUBLE or TRIPLE skin of UV enhanced polycarbonate glazing in a CIRCULAR DOME which is long lasting and highly durable. There is also an option for either CLEAR or OBSCURE glazing.

The package comes complete with a 150mm high GRP kerb. The kerb is simple to install and is suitable for all traditional roof finishes with no internal decoration required.

As well as the standard UNVENTED/FIXED option we can offer a pole operated HINGED wormgear which can be provided with the 150mm high kerb. These work on the principle of a hinged lifting frame, with the polycarbonate dome attached, rising away from the kerb, on one side. This opening will maximise at approximately 30 degrees to the horizontal. An ELECTRICAL hinged chain actuator is also available too.

The rooflights are supplied with Installation details & external security fixings



U Values (Wm²K)

2.80 Wm²K Double Skin

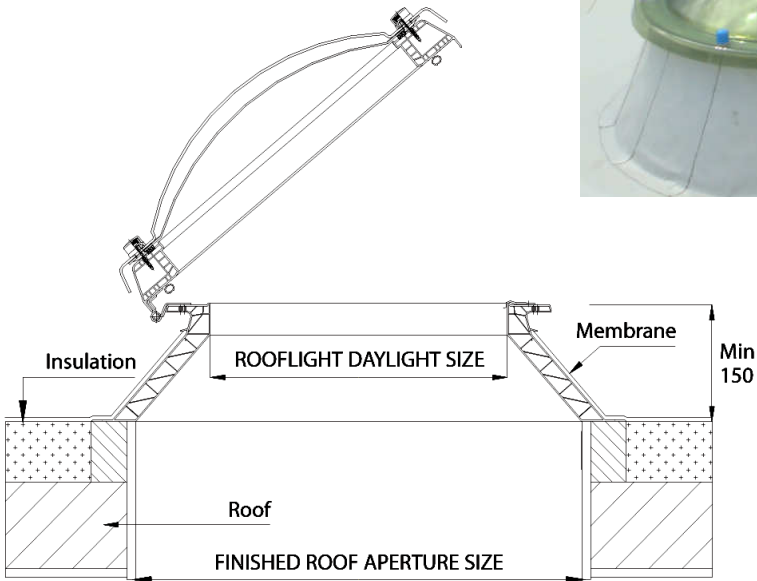
1.37 Wm²K Triple Skin

Outlook Roof Light Size Chart

Rooflight Size (mm)	Product Code	Clear Light Size (mm)	Roof Opening Size (mm)
600	OCD1	400	650
700	OCD2	500	750
800	OCD3	600	850
900	OCD4	700	950
1000	OCD5	800	1050
1100	OCD6	900	1150
1200	OCD7	1000	1250
1400	OCD8	1200	1450
1500	OCD9	1300	1550
1800	OCD10	1600	1850
2000	OCD11	1800	2050
2200	OCD12	2000	2250

The Outlook roof light is designed to sit on the a roof deck around the structural opening and offers a 150mm high upstand to allow for most modern waterproof membranes such a single ply, GRP, lead, traditional felt materials, torch on materials & mastic asphalt (although care is required when using hot torches & hot applied materials)

The pre-drilled dome is fitted last using the supplied security fixings & caps.



All dimensions in mm

Part L Building Regulations

We are fully committed in supplying rooflights & skylights that conform to the necessary thermal values. Building regulations were redefined by the government in 2002. The new regulation required substantially increased thermal values to help alleviate heat loss and solar gain into a building. These regulations effect all properties including commercial and domestic. The rule of thumb is that if a roof has more than 20% of its area covered with rooflights then the rooflights would need to achieve a 'U' value of at least 2.2W/m²k. This decreases with a smaller percentage. For more information contact our office.

Fire Regulations

Polycarbonate materials achieve a class 1 surface spread of flame, BS 476 part 6 and are classed as an AA, BS 476 part 3 rating too. For more information on Fire regulations, contact our office.

Maintenance

The cleaning of rooflights will be required from time to time. Rooflights and skylights can be cleaned using a light household detergent and a non abrasive cloth. Please note that health and safety issues will need to be considered when attempting any maintenance requirements

Non fragility & falling bodies

Most rooflights are classed as **non fragile**. This may not always be the case but you will informed if the product your require isn't non fragile. When working on site, fitting or maintaining rooflights, you should always consider that they are **fragile** and take the appropriate steps to protect the work force. Protection could be in the form of fall arrest gear, crash decks, edge Protection etc. If you are not sure contact your local HSE office for further advice.

Polyester Powder Coating

All metallic products are supplied in a mill finish or to a choice of RAL colours. White is standard.

Condensation

Every effort is taken to alleviate the chances of condensation forming on any product. Extreme weather conditions, however, can have an effect on this, with cold external and warm internal temperature differentials causing condensation to form on surfaces.

Handling & Storage

Care must be taken when handling any product. Polycarbonate, particularly, as it be can scratched. Rooflights are supplied with a protective packaging for this reason. Rooflights should never be stacked and should always be stored in a dry area away from sunlight until there installation.

Design & specification

Full technical drawing facilities are available from our office. Any queries regarding our products should be addressed to our technical team.