

SUREClose READYFit



HIGH USE RETROFIT HINGE & CLOSER

+

2 YEAR WARRANTY



IDEAL FOR:

SCHOOLS

SECURITY GATES

ACCESS CONTROL GATES

PLAY AREAS

THEME PARKS

CHILDCARE CENTRES



SUREClose®

READYFit



SureClose ReadyFit is a surface mounted hinge & closer, in one small, powerfull package!

Quick-fit alignment legs:
Giving easy installation, alignment and two face fixing strength

Vertical alignment slots
Fasteners included

Multiple adjustment points:

- Self-closing speed
- Final snap-close action
- Horizontal adjustment

Hydraulic dampened closing:
Provides quiet, smooth & consistent closing with a leak-free tamper resistant design

Dual thrust bearings:
Give smooth operation and high load bearing capability.



ReadyFit Hinge & Closer Combined



ADJUSTABLE SELF-CLOSING SPEED AND FINAL SNAP-CLOSE ACTION

ReadyFit Hinge Without Closer



NON SELF-CLOSING LOAD BEARING HINGE

READYFit 108 SF

- **Self-closing action** - provides reliable closing for security and safety gates
- **Snap-close action** - makes hinge suitable for use with maglocks and latches
- **Adjustable self-closing speed** - stepless to suit particular requirements
- **Adjustable snap-close speed** - e.g. slow for maglocks and fast for latches
- **Steel brackets** - can be welded or screwed (Tek screws provided)
- **Alignment legs** - guarantee correct vertical alignment
- **Installation tools** - no special tools or large holes required
- **500,000 cycle test** - long-term reliability
- **Two year warranty** - confidence for customers and installers
- **Less noticeable** - much smaller size than other gate closers

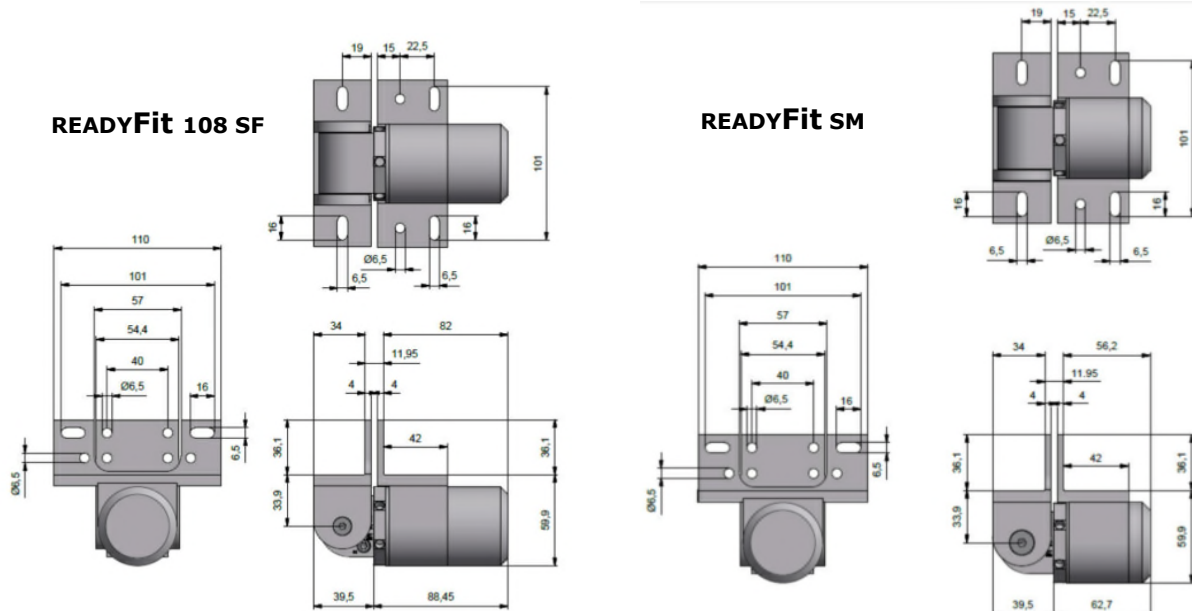


READYFit SM

- **Pivoting hinge** - for use with 108 SF or as a pair of heavy duty hinges
- **680 kg (1500 lbs) point load** - ideal non self-closing hinge for heavy gates

Hinge Combinations	Max. Self-Closing Gate Weight*	Weight Capacity
108 SF + SM	80 kg / 180lbs	N/A
108 SF + 108 SF	120 kg / 260 lbs	N/A
SM + SM	N/A	680 kg / 1500 lbs

*CAUTION - capacity based upon max. gate size 1800 mm H x 1000mm W (72"Hx40"W). For gates with greater HxW, or if conditions such as wind play a role, use hinge combinations with higher self-closing weight ratings.



A gate stop must be fitted when using 108 SF type hinges to restrict opening angle to 90°. Failure to fit a stop voids warranty.

For more information:

T. +44 (0)1634 819651

E. solutions@gatecontrolgear.com

Type	Self Close	Max. Gate Swing	Final Snap Action	Hinge Gap	Min. Fence Post
108 SM	YES	90°	YES	12-35 mm (1/2" - 1 3/8")	50 mm (2")
SM	NO	180°	NO	12-35 mm (1/2" - 1 3/8")	50 mm (2")