

Single-phase
UPS

NETYS PR

from 1000 to 3000 VA
versatile UPS

A PROFESSIONAL UPS

- Designed for professional environments, protection against power cuts and over voltage is ensured by Line Interactive technology with automatic voltage regulation (AVR).

An installation adapted to the environment

- It can even be installed as a Tower, Mini-Tower or 19" Rack, depending on the user's needs.

Simplified maintenance

- Battery 'hot swap', without closing down other applications
- Battery can be changed from the front in rack installations
- Battery check system and replacement indicator.

Adapted connections

- Easy connections to the applications (depending on power) via 6 or 8 IEC 320 (IT standard) sockets.

A secure UPS

- EPO (Emergency Power Off) emergency stop.

Data line protection

- With RJ45 connector.

Communication with the computer system

- RS232 or USB* advanced connections for the management of the power supply and local / remote shutdown of applications
- Advanced diagnostics and remote control via various protocols and environments of use : JBUS, HID, SNMP, TCP / IP.

* USB models from 1500 to 3000 VA.

INTERACTIVE LINE WITH
AVR - SINUSOIDAL OUTPUT

2 YEAR GUARANTEE



NETYS PR
1 000 VA



NETYS PR
1 500 / 2 000 VA



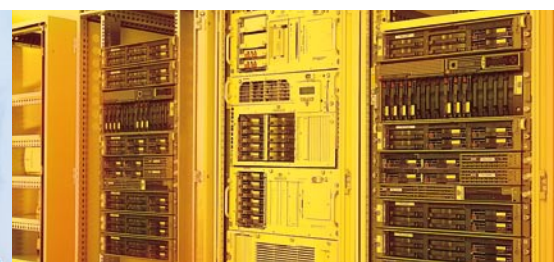
NETYS PR
3 000 VA



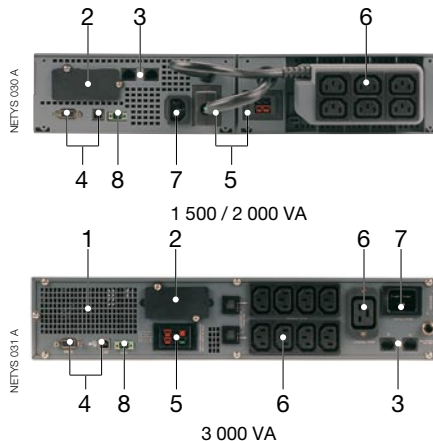
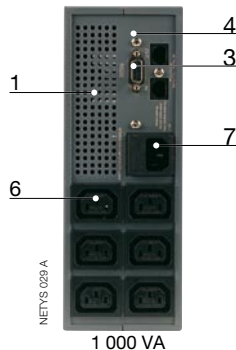
NETYS PR
1 500 / 2 000 VA
Rack

Your protection
for

- > Professional and IT equipment
- > Servers and Networking devices
- > CAD / graphic workstations with monitors and peripherals
- > Control systems



Connections



1. Fan / air vents
2. Slot for optional communication boards
3. NTP protections (RJ45)
4. RS232 / USB serial port
5. Connector for external battery extension
6. UPS output sockets
7. Input socket with fuse
8. EPO Emergency Power Off

Technical data

MODELS	NETYS PR 1 000	NETYS PR 1 500	NETYS PR 2 000	NETYS PR 3 000
ITEM CODE	NET1000-PR	NET1500-PR	NET2000-PR	NET3000-PR
UPS power	1 000 VA (700 W)	1 500 VA (1 000 W)	2 000 VA (1 340 W)	3 000 VA (2 100 W)
Input	230 V (160 ÷ 276 V) ; 50 / 60 Hz with automatic selection			
Output	230 V nominal ; 50 / 60 Hz			
Output sockets	6 IEC 320 (10 A) 2 sets of 4 IEC 320 (10 A) + 1 16 A socket			
Data line protection	NTP data line suppressor : RJ45 10 Base T			
BATTERIES				
Type	sealed lead-acid maintenance free - expected life 3 / 5 years			
Typical back-up time (1)	8 min.	8 min.	8 min.	8 min.
COMMUNICATION				
Connection interface	RS232	RS232 and USB		
Ethernet	NET VISION interface : Web Server / SNMP			
ENVIRONMENT				
Dimensions W x D x H (mm)	87 x 385 x 235	2 x (87 x 415 x 220)		87 x 585 x 440
Dimensions rack W x D x H (mm)	-	435 x 415 x 87 (2U)		440 x 585 x 87
Weight	9.6 kg	18 kg	19 kg	31.5 kg
Reference standards	(EN) IEC 62040-1-1 (safety), EN 50091-2 / IEC 62040-2 (EMC), EN 61000-4-5 / C62.41 : 1991 (over voltage)			

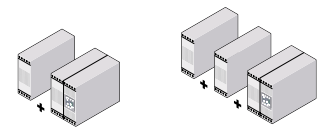
(1) Back-up time at 75 % of the nominal power.

Communication options

- **UNI VISION** software for the control and automatic shutdown of applications connected to Windows™ and Linux. Free to download from our website: www.socomec.com.
- **UNI VISION PRO** software for the management of connected applications and to control automatic shutdowns. Serial cable included.
- **NET VISION** interface SNMP / WEB manager for the connection of the UPS to the Ethernet network. This accessory can be integrated in the UPS by means of the slot located on the back panel.

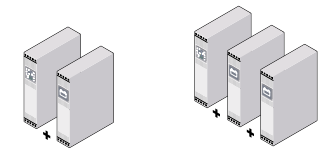
Battery extension

NETYS 042 A - 043 A



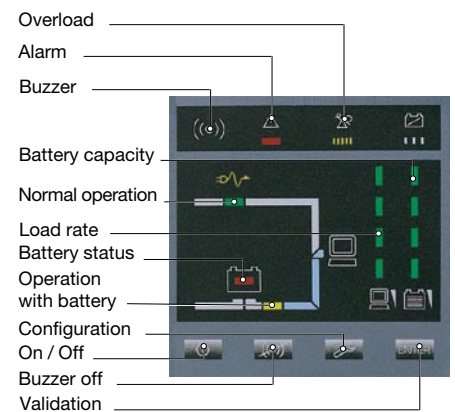
NETYS PR	+ 1 (NETEX 20 PR)	+ 2 (NETEX 20 PR)
1 500	25 min.	45 min.
2 000	20 min.	36 min.

NETYS 044 A - 045 A



NETYS PR	+ 1 (NETEX 30 PR)	+ 2 (NETEX 30 PR)
3 000	30 min.	60 min.

Control panel



HEAD OFFICE

SOCOMECH GROUP

S.A. SOCOMECH capital 11 102 300 € - R.C.S. Strasbourg B 548 500 149
B.P. 60010 - 1, rue de Westhouse - F-67235 Benfeld Cedex

SOCOMECH UPS Strasbourg

11, route de Strasbourg - B.P. 10050 - F-67235 Huttenheim Cedex - FRANCE
Tel. +33 (0)3 88 57 45 45 - Fax +33 (0)3 88 74 07 90
ups.benfeld.admin@socomec.com

SOCOMECH UPS Isola Vicentina

Via Sila, 1/3 - I - 36033 Isola Vicentina (VI) - ITALY
Tel. +39 0444 598611 - Fax +39 0444 598622
info.it.ups@socomec.com

www.socomec.com

UK SALES AND SERVICE

SOCOMECH UPS UK

Units 7-9 Lakeside Business Park, Broadway Lane, South Cerney
Cirencester, Gloucestershire GL7 5XL - ENGLAND
Tel. +44 (0)1285 863300 - Fax +44 (0)1285 862304
uk.ups.sales@socomec.com

ADEPT POWER SOLUTIONS LTD - UK DISTRIBUTOR

Unit 1 Viscount Court, South Way, Walworth Industrial Estate, Andover
Hampshire, SP10 5NW - ENGLAND
Tel. +44 (0)1264 35 14 15 - Fax +44 (0)1264 35 12 17
sales@adeptpower.co.uk

Non contractual document. © 2008, Socomec SA. All rights reserved.

