

Feeder for easy feeding of flat products

Design and characteristic features:

- Feeding width 235 mm standard
- Modular, compact industrial machine design
- Simple, clear and user-friendly
- Single product feeding
- Easy feeding of the products
- Central air gap adjustment from 0 up to 8 mm
- Product run-time monitoring for missing sheet detection
- Product magazine for loading is easily accessible
- Min. stack monitoring in the magazine
- Individual adjustable stack support
- Infinitely adjustable feeding speed up to 40 m/ min
- Drive actuated via DC motor

Control:

- Autonomous microprocessor control
- Protection type IP 54
- Start / Reset via external PLC
- External Start (by means of light barrier, etc.)
- PLC-Interface, 15-pin
- Adjustable feeding speed
- Function test for self-diagnosis
- Fault message indication by way of illuminated RESET button
- Preselection of the start pulse (high/low)

OPTIONS:

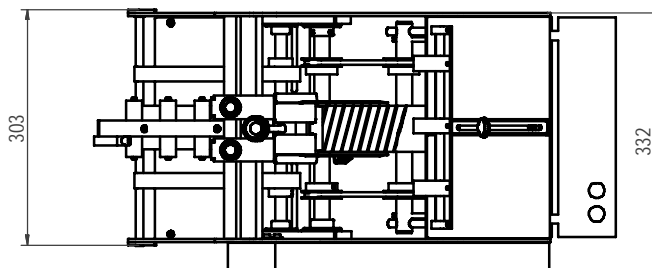
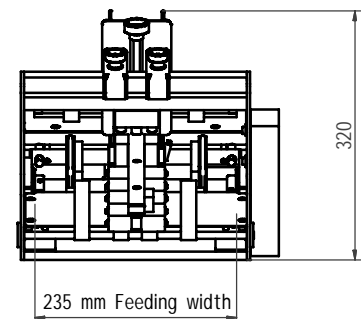
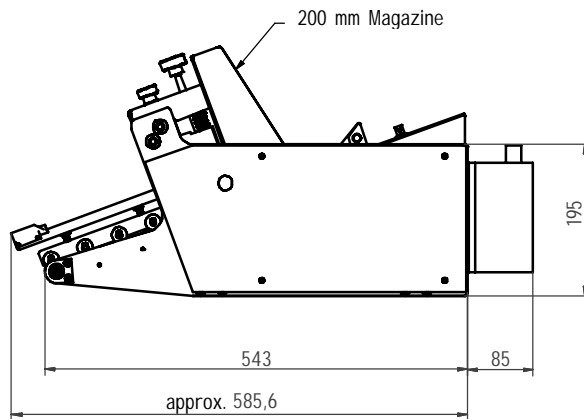
- External warning lamp
- Level control in stack magazine
- Piece counter up to 99 pcs.
- Start sensor for external start pulse

EasyFeeder Friction feeder Technical Data (Standard configuration)

Formats (special formats possible):	min. 80 x 60 mm, max. 300 x 235 mm (L x B)
Belt speed/ feeding performance (continuous mode / indexed), depending on product:	40 m/min. (continuous) / up to 60 prod./min. (indexed)
Product passage:	min. 0.1 mm, max. 8 mm, paper quality min. 80 g/m ²
Magazine loading: (depending on the product):	Standard 200 mm
Drive:	DC-Motor
Control:	PLC
Supply voltage / Power input:	230 V / 50 Hz, 300 W

Dimensions (W x D x H) / Weight:	336 x 670 x 320 mm (Feeder + Control + exit extension) / approx. 19 kg
----------------------------------	--

Dimensions EasyFeeder , Feeding width 235 mm:



10 / 2008 Technical modifications preserved

Options:

Feeding widths:	335 mm
Exit extension:	With lateral guides
Counter function:	1 – 99 pcs.
Level control:	On request
Start sensor:	for external start pulse
Additional indicator lamp:	On request
Base:	- Movable and vertically adjustable +/- 50 mm, - Movable with electrically driven height setting, setting range +/- 200 mm

KÖRA → PACKMAT

KÖRA-PACKMAT
 Maschinenbau GmbH
 Gewerbestrasse 4
 D-78667 Villingendorf / Deutschland
 Phone: +49 741 9283 22
 Fax: +49 741 9283 80
 feedersystems@koera-packmat.de
 www.koera-packmat.de

KÖRA-PACKMAT ASIA Pte Ltd
 3 International Business Park
 #04-32 Nordic European Centre
 D Singapore 609927 / Singapore
 Phone: +65 6890 6672
 Fax: +65 6890 6674
 sales@kora-packmatasia.com.sg
 www.kora-packmatasia.com.sg