



E-label **ULTRA**



ULTRA

E-label ULTRA is the highest capacity dispenser. There are several motor options to this module: clutch/brake, stepper-motor, servo-motor. It is equipped with a DUO-drive system which gives an improved and more exact liner tension that develops high label-placement accuracy. The dispenser has a 400 mm diameter aluminium roll-disc with ball bearing roll-holder, dancing arm and brake.

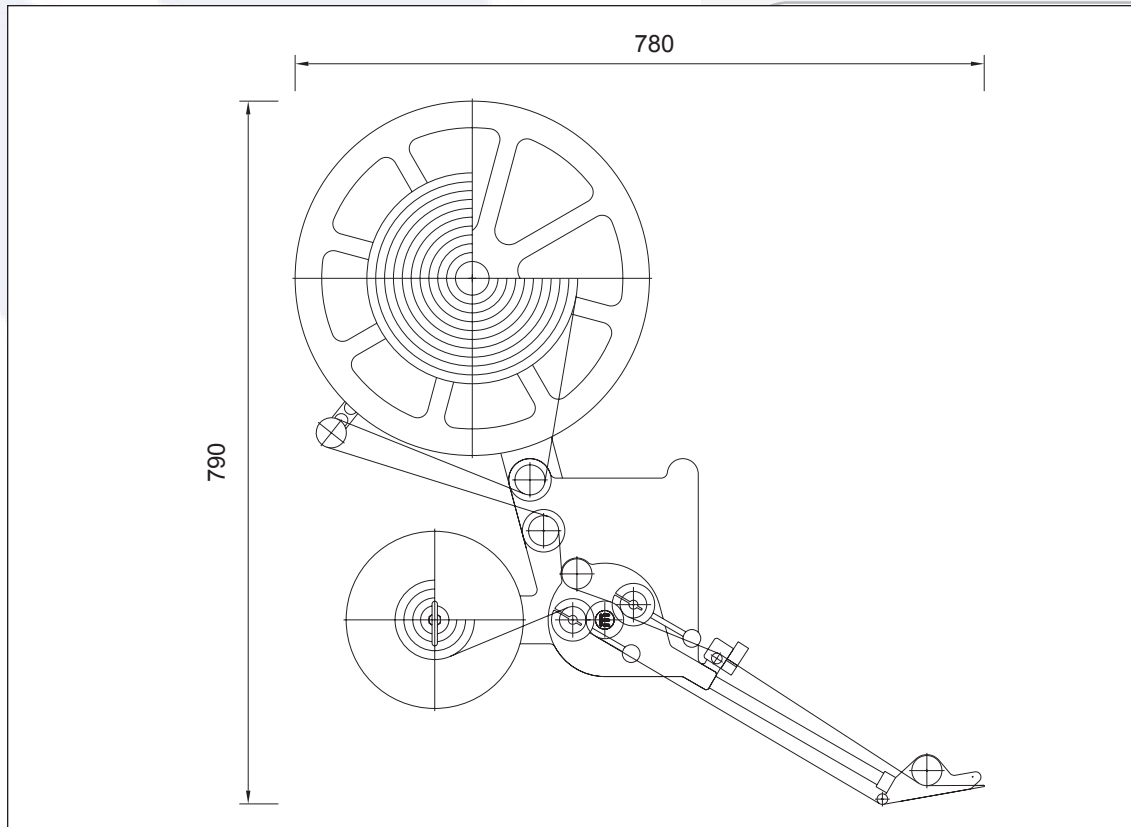
E-label ULTRA can handle most general needs and can be adjusted to many different applications. E-label Ultra can be used as a standalone unit and can also be integrated into the Mini and Maxi system machines.

E-label ULTRA is built for industrial use and, like all machines from Eurokett, can operate 24-hours at a very high speed. It is also a simple machine for the operator to adjust and requires a minimum of service.





E-label **ULTRA**



Technical Data	ULTRA 115	ULTRA 165	ULTRA 250
Min label width	10 mm	10 mm	10 mm
Max label width	110 mm	160 mm	245 mm
Max roll diameter	400 mm	400 mm	400 mm
Core size	38-75 mm	38-75 mm	38-75 mm
Labelling speed	120 m/min	100 m/min	70 m/min
Accuracy	+/- 0.4 mm		
Motor options	Clutch/brake, Stepper-motor, Servo-motor		
Electrical supply	240 V AC 50/60 Hz		
Weight	23 kg, control unit 15.5 kg		

