

# BIG CAPACITY MILLS

If you have the need for big volume processing, here's the mill for you. Automatic big capacity mills maintain uniform particle size—every time. They're efficiently designed and ruggedly built to deliver.

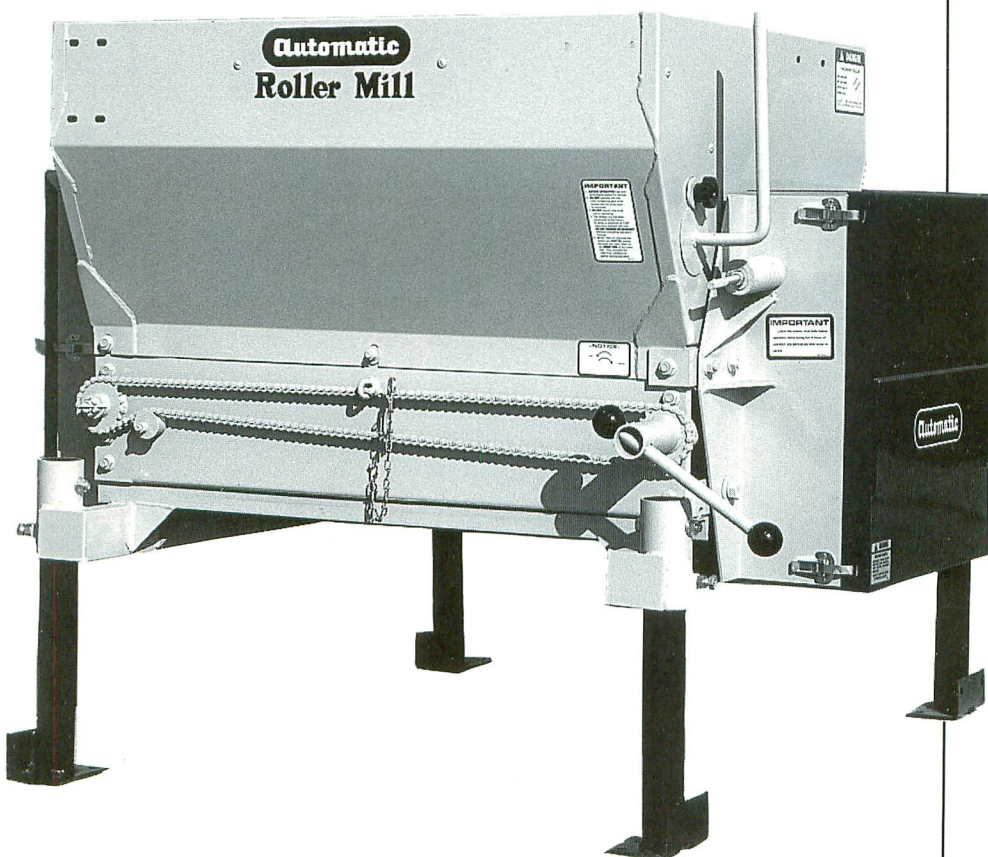
Big capacity mills come equipped with big 9- or 12-inch diameter rolls, up to 48 inches in length. Corrugations are available for the right particle size from coarse to fine. Automatic's one-fast-roll principle gives you more capacity with less horsepower, while providing a self-cleaning action.

Complete unit includes basic mill with fast-roll, multiple belt drive, motor mount, magnet grates, belts, mill and motor pulleys.

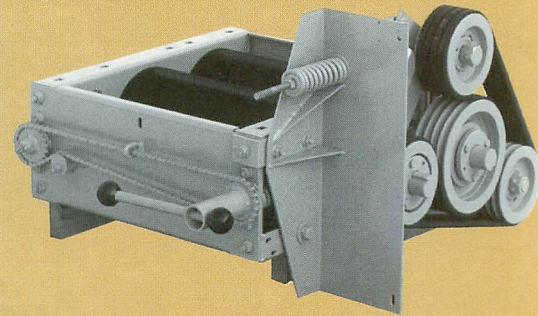
---

*Automatic big capacity mills include models ABC900, 1800 and 3600. Model ABC1800 shown.*

---



## THE ROLLER MILL DIFFERENCE



*ABC1800 model shown. Legs standard on ABC and CSU units. Legs optional on LPE.*

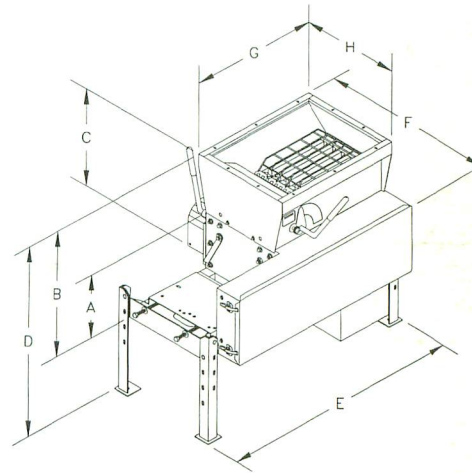
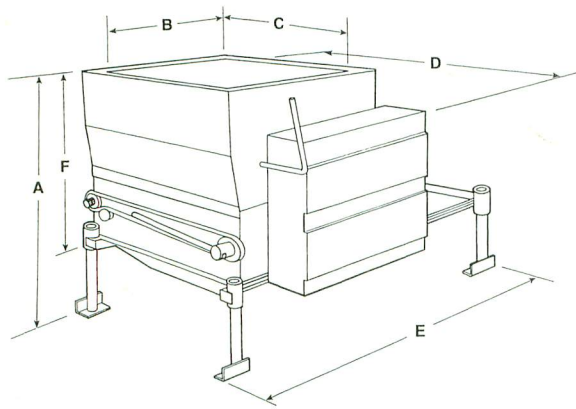
## BIG CAPACITY MILL FEATURES

- Belt drive system
- Single lever activated roll adjustment, quicker roll gap changes
- One-fast-roll principle—one roller turns faster to prevent plugging
- High output using less horsepower
- Corrugated rolls selected for the job

## S P E C I F I C A T I O N S

MILL MODELS	LPE500	LPE700	ABC900	ABC1800	ABC3600
Roll Size	9"x10"	9"x14"	9"x18"	9"x34"	12"x48"
Weight	506 lb	591lb	750 lb	1,100 lb	1,850 lb
Weight (with auger base)	606 lb	731 lb	830 lb	1,200 lb	2,000 lb
Horsepower	5-7.5 hp	7.5-10 hp	10-15 hp	25-30 hp	60-75 hp

## D I M E N S I O N S



BIG CAPACITY MILLS						
MODEL	A	B	C	D	E	F
900	45"	31"	20"	40"	61"	32 <sup>1</sup> / <sub>2</sub> "
1800	45"	31"	36"	56"	61"	32 <sup>1</sup> / <sub>2</sub> "
3600	49"	31"	50"	74"	68"	34 <sup>1</sup> / <sub>2</sub> "

LOW PROFILE MILLS								
MODEL	A	B	C	D	E	F	G	H
500	12 <sup>1</sup> / <sub>2</sub> "	24"	32"	39"	45 <sup>1</sup> / <sub>2</sub> "	28"	25"	19"
700	12 <sup>1</sup> / <sub>2</sub> "	24"	32"	39"	45 <sup>1</sup> / <sub>2</sub> "	32"	25"	23"

*Dimensions will vary according to accessories selected.  
Specifications subject to change without notice. Measurements are nominal.  
Weights are approximate.*

## E L E C T R I C M I L L M O D E L S

	500	700	900	1800	3600
Low Profile Mills	•	•			
Big Capacity Mills			•	•	•

# Automatic

Automatic Equipment Mfg. Co. • One Mill Road, Industrial Park  
Pender, Nebraska 68047 • (402) 385-3051 • FAX (402) 385-3360

