



Lorry-Loading Hopper Bins

The Svegma lorry-loading hopper bins have been developed for quick loading of lorries, but can also be used for temporary storage. The bottom section is designed to give wide access, i.e. with no unnecessary stays or supports. The top section is delivered in structural panels, ready for erection. Thanks to this design, it is **easy to extend the bin** to suit different storage needs. The bottom hopper is delivered in one piece, which enables quick and easy erection. Only the legs have to be assembled. **No welding is required** for the erection.

- ★ **Quick loading**
- ★ **Wide access for lorries**
- ★ **Supplied in kit form**
- ★ **Easy to extend**
- ★ **Smooth inside**
- ★ **Easy to erect**

Design

The framework and the hopper form a self-discharging unit, which is strongly constructed. The hopper is made of heavy steel sheets welded together and the framework is in structural steel. The legs are made of box section and are delivered with large base plates drilled for bolting to the concrete base. The legs are delivered separately and are assembled with bolts and nuts. Both the framework and the hopper are delivered primed and painted.

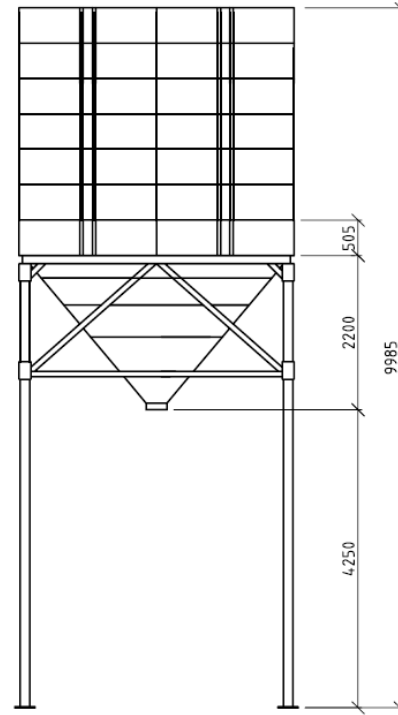
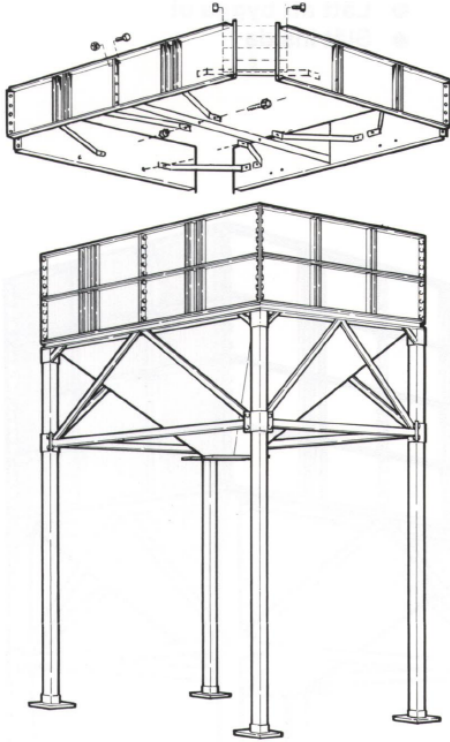
The wall sections are made of folded hot-dip galvanized steel sheets and they are assembled with bolts and nuts.

The discharge can be supplied with a rack & pinion outlet operated from floor level. The R & P outlet can also be motorized.

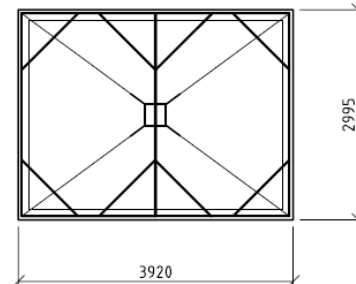


GRAIN CARE IS OUR BUSINESS

Dimensions



Volume [m ³]	Height [m]	No. sections
7.2	6.5	0
18.6	7.5	2
30.0	8.5	4
41.4	9.5	6
52.8	10.5	8
64.2	11.5	10



Accessories

- * Split bin with two outlets
- * Rack & Pinion outlet operated from floor level
- * Pyramid roof with access hatch (height 0.5 m)
- * Flat plywood roof with access hatch

Specifications are subject to change without prior notice.

BDC Systems Ltd reserves the right to change specifications without notice.
Further advice and information for specific requirements available on request.

BDC Systems Limited

Prospect Farm, Monxton
Andover, Hampshire SP11 7DA

Telephone: 01264 710900

Fax: 01264 710987

Intl Tel: +44 (0) 1264 710900

Intl Fax: +44 (0) 1264 710987

Email: info@bdcsystems.com

Website: www.bdcsystems.com

