

VARIANT[®] FINGER PROTECTION

The hinge system for doors with finger protection specification



TO PROTECT FINGERS

Children face dangers every day wherever they go. Some painful experiences are simply part of growing up – but most of them should be prevented. In day-care centres for children, the responsibility towards the young guests is immense, and unfortunately, so too are the potential hazards. To counteract such hazards sufficiently the provisions of both workplace ordinance and accident prevention regulations in day-care facilities for children must be observed, in accordance with building and safety regulations.



In close cooperation with architects and planners, SIMONSWERK has developed a hinge system for doors with finger protection specification.

Statutory Accident Insurance regulations stipulate that the hazards caused by crushing and shearing points at the closing edges of doors must be counteracted by special safety features. **“Shearing points on side closing edges of doors must be avoided.”**

The **VARIANT® finger protection** hinge system protects fingers reliably against getting pinched by the side closing edges of doors:

- › for interior doors (the door swings round the front of the door frame at a constant distance of 3.5 mm from the surface and thus prevents fingers from getting jammed)
- › finger protection is guaranteed by a specially developed door hinge and cladding of the side closing edge directly on the door leaf
- › load capacity of up to 120 kg with two hinges per door leaf
- › for timber frames
- › for 3D-adjustable VARIANT® VX receivers
- › other types of frames upon request



REFERENCES: CHILDREN'S WORLDS

There is no such thing as 100 % safety – but all hazards with special relevance for children can and must be avoided. Retrofitted profiles and blinds are examples of standard precautions, which are frequently implemented at the expense of aesthetics in the architectural context. The VARIANT® finger protection hinge system from SIMONSWERK fulfils both the finger protection specifications for the side closing edges of doors and the requirements of high-quality, attractive interior design. Thanks to rounded cladding which matches the material of the door on the hinged side, the entire finger protection system gives an impression of perfect harmony. The high-quality VARIANT® hinge connects the door to the frame. The constant distance of only 3.5 mm at every opening angle presents no danger to small children's hands.

In this area in particular, architects and planners are required to cooperate very closely with their clients. Legal security must be established with several authorities, final approval of the building is normally performed by a statutory accident insurance officer. Differences in regulations and practice from one country to the next must also be observed.



BUILDING "Blickwinkel" children's day-care centre in Behringersdorf

ARCHITECTS Diana Iglesias Architektin BDA + Team

SIMONSWERK VARIANT® finger protection



BUILDING "Sonnenschein" (sunshine) Lutheran children's day-care centre in Münchaurach, Aurach Valley

ARCHITECT Siegfried Mayer, Herzogenaurach

SIMONSWERK VARIANT® finger protection



CRAFTSMANLIKE ASSEMBLY

The receiver, which is visible in the frame jamb, must be equipped with an additional cover plate, and the hole in the visible knuckle with a plug.



Installation

- › simple cladding of the door leaf edge with a semi-circular timber strip
- › easy mounting on the door leaf by a technician or carpenter
- › maintenance-free
- › virtually perfect protection in combination with an opening stop

3D adjustability

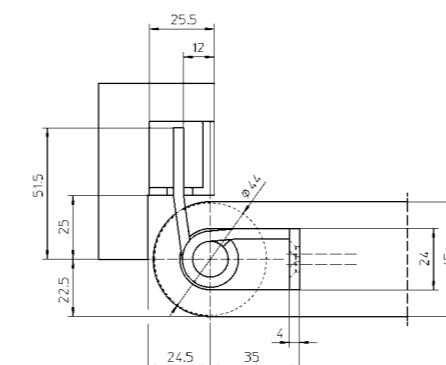
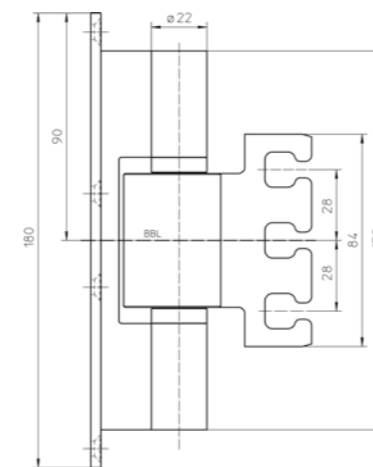
- › optimal adaptation through three-dimensional adjustability in all directions:
 - horizontal +/- 3.0 mm
 - vertical +/- 3.0 mm
 - compression +/- 3.0 mm
- › readjustment possible at any time with removal of the cover plate

Cover

- › better aesthetic quality thanks to concealed adjustment mechanism
- › optimal protection against injury through crushing or pinching
- › tamper resistance



NEW



VX 7099 finger protection

for doors with finger protection specification

Door hinge	finger protection specification	up to 120 kg
------------	---------------------------------	--------------

Product features

- for doors with finger protection specification
- for timber frames
- for 3D-adjustable VARIANT® VX receivers

Technical details

Load capacity	i two hinges per door leaf (1 x 2 m)	120.0 kg
Knuckle length		150.0 mm
Knuckle diameter		22.0 / 44.0 mm
Material thickness		4.0 mm
Cutter diameter		24.0 mm
Screws		5.0 x 50.0 mm
Opening angle		max. 110°

Finish

Stainless steel look

Combinations

Receiver	block frame	VX 7501 3D
	blind frame	VX 7505 3D

Installation tools

		universal milling frame
Frames	receiver VX 7501 3D	template 5 250 568 5
		template 5 250 569 5
	receiver VX 7505 3D	template 5 250 568 5
		template 5 250 569 5
		template 5 250 592 5

Cover angle and plate	VX 7560 finger protection	template 5 250 570 5
Door leaf		template 5 251 084 5

Detailed information in our PRODUCTSELECTOR at www.simonswerk.com

Functional areas

Finger protection

Note

i The load capacity mentioned above refers to the use of 2 hinges per door leaf (1x2m)

Scope of supply

- 1 x cover angle + cover plate VX 7560 finger protection
- 1 x plug
- 2 x countersunk screws



PLEASE VISIT OUR PRODUCTSELECTOR UNDER:
www.simonswerk.com



SIMONSWERK GmbH
Bosfelder Weg 5
D-33378 Rheda-Wiedenbrück
Germany

Fon +49 (0)5242/413-0
Fax +49 (0)5242/413-260

sales@simonswerk.com
www.simonswerk.com

The brochure VARIANT® finger protection 06/2013, 5 800394.0 00001
SIMONSWERK do not accept responsibility for misprints and subsequent specification changes
although every effort has been made to avoid any errors during preparation of this brochure.