



# TSE/TSR

## Rod combistat

ENERGY SAVINGS - SAFETY - RENEWABLE ENERGY - HYBRID TECHNOLOGY - ENVIRONMENT - COMFORT - PLUG&PLAY - PERFORMANCE  
RENEWABLE ENERGY - HYBRID TECHNOLOGY - ENVIRONMENT - COMFORT - PLUG&PLAY - PERFORMANCE - WATER HEATER - ERP



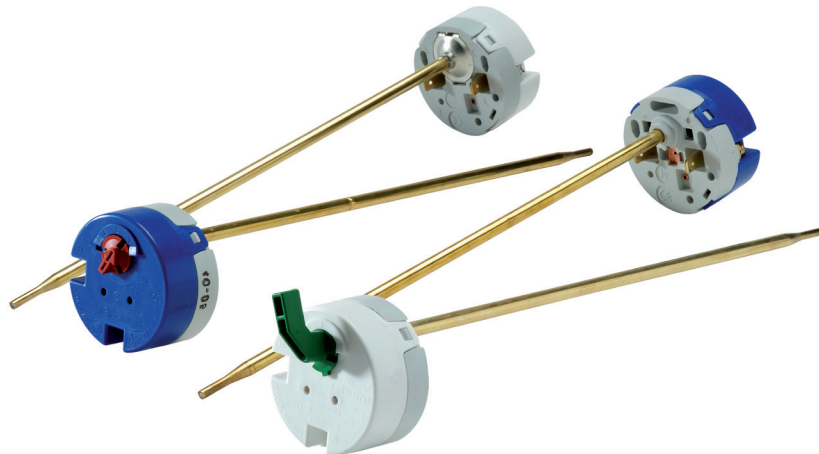
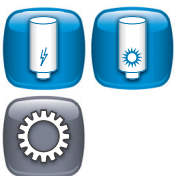
### Direct plug-in with 1-pole temperature regulation and 2-pole safety limiter

#### FEATURES

- Combined control and safety function
- Patented MFS technology or traditional bimetal for independent non self resetting safety option
- Direct plug-in to heating element to reduce wiring and mounting costs
- Factory pre-set fixed temperature for cut-out, OEM adjustable or end-user adjustable control temperature
- Multiple control knob options
- Connection for signal lamp

#### OPERATION

The differential expansion of the sensing element causes the opening of a snap-action switch in the thermostat head. In case of abnormal temperature rise, the patented MFS technology in the stem or traditional bimetal insures double pole safety. The limiter is manually resettable.

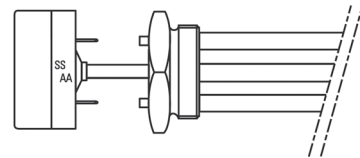
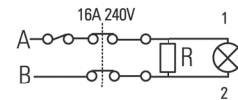
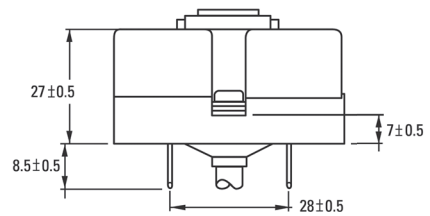
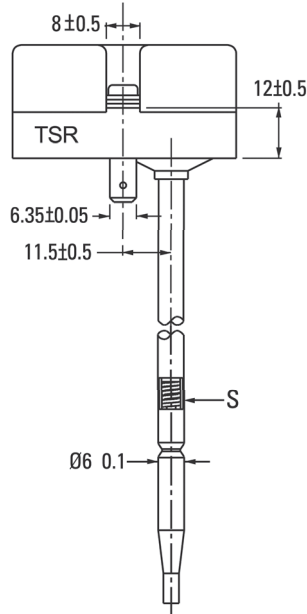
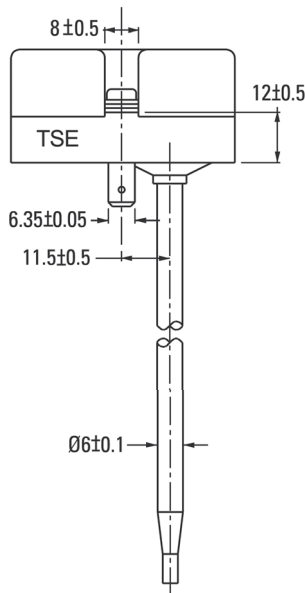
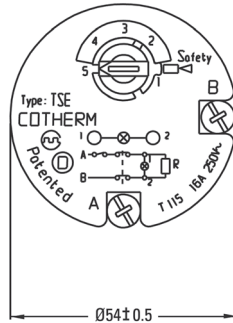


**cottherm**  
DEGREES OF EXCELLENCE

[WWW.COTHERM.COM](http://WWW.COTHERM.COM)

# ...TSE/TSR

## TECHNICAL CHARACTERISTICS



	TSE	TSR	TSEU
<b>Type</b>	Single pole rod control with double pole bimetal safety limiter	Single pole rod control with MFS technology double pole safety limiter	Single pole rod control
Temperature range	0 to 160°C / 32 to 320°F		
Differential	Approx 5% of the temperature range		
Safety limiter temperature	Fixed 65 to 120°C / 149 to 248°F		
Rating	16A or 20A - 250V		
Material	Brass, invar, bimetal, MFS		
Stem length	137, 180, 220, 270, 350, and 450 mm / 5, 7, 8, 11, 14, and 18"		
Sensing element diameter	6 mm / 1/4"		
Maximum head temperature	115°C / 239°F		
Connections	Brass faston or pillar terminals		
Approvals	CE conformity, ENEC MARK according to EN-60730-1, EN 67130-2-9, ROHS conformity		

Weight: approx. 110g